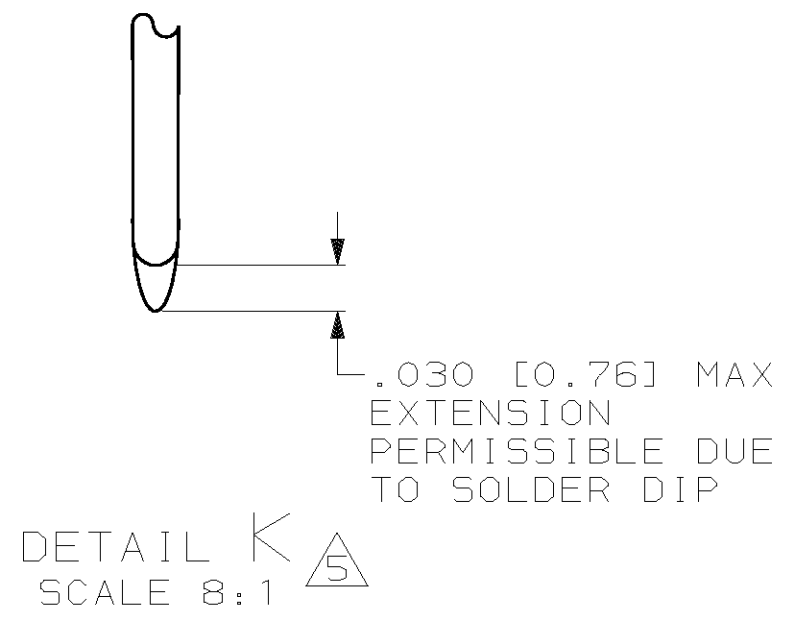
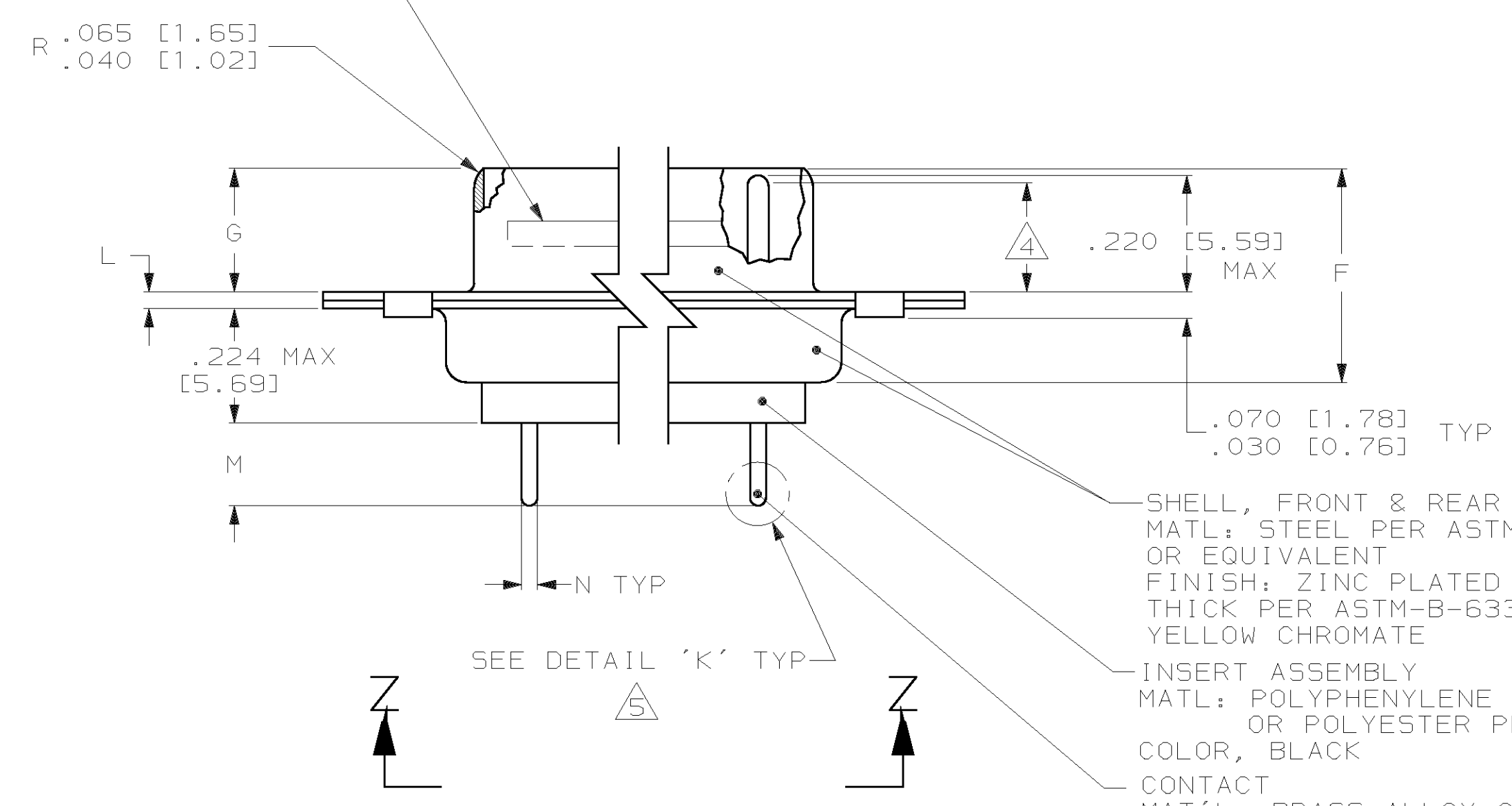


- 1 SEE SHEET 2 FOR RECOMMENDED P.C. BOARD LAYOUT. TRUE POSITION TOLERANCE FOR P.C. BOARD LAYOUT IS .010 [0.25] AT MAX MATERIAL CONDITION. SUGGESTED BOARD THICKNESS IS .125 [3.18]
- 2 THE CONNECTORS DESCRIBED IN THIS DOCUMENT MATE WITH ANY RECEPTACLE CONNECTOR WITH THE SAME INSERT ARRANGEMENT.
- 3 MARKED WITH .047 [1.19]-.062 [1.57] HIGH CHARACTERS. FAR SIDE REFERS TO THE WIDE SIDE OF THE KEYSTONE. NEAR SIDE REFERS TO THE NARROW SIDE OF THE KEYSTONE. IF THE FRONT SHELL IS TOO SMALL FOR "AMP", AMP PART NUMBER AND DATE CODE, THEN SPLIT AS FOLLOWS:
 A. AMP PART NUMBER ON REAR SHELL, NEAR SIDE.
 B. "AMP" AND DATE CODE ON FRONT SHELL, NEAR SIDE.
- 4 REQUIREMENT FOR FULL PIN DIAMETER EXTENSION:
 .159 [4.04] MIN, SHELL SIZES 1 AND 2.
 .150 [3.81] MIN, SHELL SIZES 3 AND 4.
- 5 SOLDER DIPPED PER MIL-STD-2000 COMPOSITION Sn63 CONFORMING TO QQ-S-571. COVERAGE SHALL BE COMPLETE TO A DISTANCE .020 [0.51] MAX FROM INSERT ASSEMBLY.
- 6 SPACERS (QTY 2) ARE SUPPLIED WITH CONNECTORS (NOT ATTACHED TO THE CONNECTOR).
- 7. DIMENSIONS APPLY PRIOR TO SOLDER DIPPING.

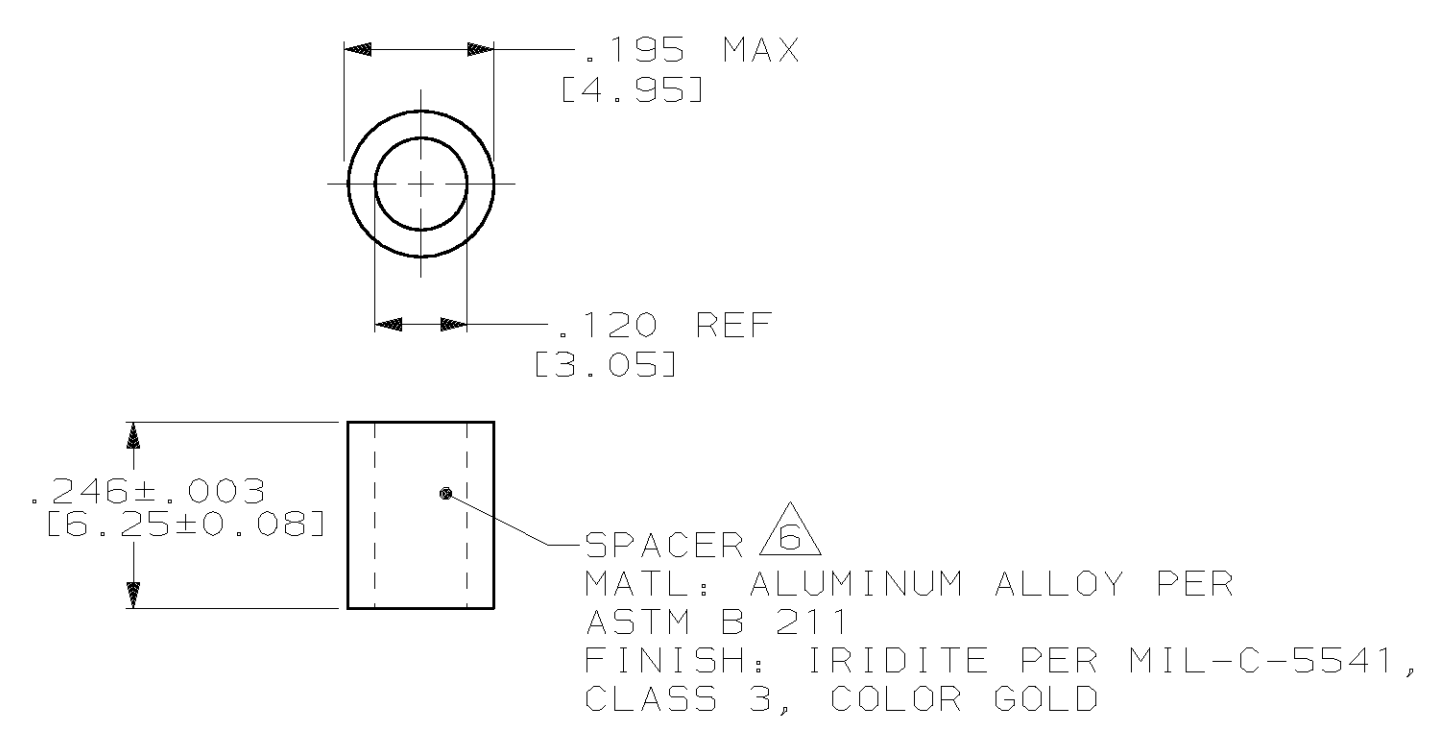
3 MARK AMP, AMP PART NO AND DATE CODE, FAR SIDE.



SHELL, FRONT & REAR
 MAT'L: STEEL PER ASTM A 109 OR EQUIVALENT
 FINISH: ZINC PLATED .000200 [0.0051] MIN THICK PER ASTM-B-633 YELLOW CHROMATE

INSERT ASSEMBLY
 MAT'L: POLYPHENYLENE SULFIDE (PPS) PER MIL-M-24519, TYPE: GST-40F OR POLYESTER PER MIL-M-24519, TYPE: GLCP-30F
 COLOR, BLACK

CONTACT
 MAT'L: BRASS ALLOY OR BERYLLIUM COPPER 173
 FINISH: GOLD PER MIL-G-45204, TYPE II, GRADE C, CLASS 1 OVER NICKEL PER QQ-N-290, .000050 MIN THICK



.043 [1.09]	.208 [5.28]	.049 [1.24]	.544 [13.82]	2.188 [55.58]	.236 [5.99]	.436 [11.07]	.620 [15.75]	.446 [11.33]	2.411 [61.24]	2.084 [52.93]	2.650 [67.31]	MS18277-1	50	5	1218381-5	1-1218381-0
.037 [0.94]	.168 [4.27]	.029 [0.74]	.524 [13.31]	2.168 [55.07]	.224 [5.69]	.416 [10.57]	.590 [14.99]	.436 [11.07]	2.401 [60.99]	2.074 [52.68]	2.620 [66.55]	MS18276-1	37	4	1218381-4	1218381-9
.043 [1.09]	.208 [5.28]	.049 [1.24]	.432 [10.97]	2.282 [57.96]	.236 [5.99]	.436 [11.07]	.509 [12.93]	.334 [8.48]	2.505 [63.63]	2.187 [55.55]	2.744 [69.70]	MS18275-1	25	3	1218381-3	1218378-8
.037 [0.94]	.168 [4.27]	.029 [0.74]	.412 [10.46]	2.262 [57.45]	.224 [5.69]	.416 [10.57]	.479 [12.17]	.324 [8.23]	2.495 [63.37]	2.177 [55.30]	2.714 [68.94]	MS18274-1	15	2	1218381-2	1218381-7
.043 [1.09]	.208 [5.28]	.049 [1.24]	.432 [10.97]	1.635 [41.53]	.236 [5.99]	.436 [11.07]	.509 [12.93]	.334 [8.48]	1.857 [47.17]	1.539 [39.09]	2.103 [53.42]	MS18273-1	9	1	1218381-1	1218381-6
.037 [0.94]	.168 [4.27]	.029 [0.74]	.412 [10.46]	1.615 [41.02]	.224 [5.69]	.416 [10.57]	.479 [12.17]	.324 [8.23]	1.847 [46.91]	1.529 [38.84]	2.073 [52.65]	MS18277-1	50	5	1218381-5	1218381-5
.043 [1.09]	.208 [5.28]	.049 [1.24]	.432 [10.97]	2.282 [57.96]	.236 [5.99]	.436 [11.07]	.509 [12.93]	.334 [8.48]	2.505 [63.63]	2.187 [55.55]	2.744 [69.70]	MS18276-1	37	4	1218381-4	1218381-4
.037 [0.94]	.168 [4.27]	.029 [0.74]	.412 [10.46]	2.262 [57.45]	.224 [5.69]	.416 [10.57]	.479 [12.17]	.324 [8.23]	2.495 [63.37]	2.177 [55.30]	2.714 [68.94]	MS18275-1	25	3	1218381-3	1218381-3
.043 [1.09]	.208 [5.28]	.049 [1.24]	.432 [10.97]	1.635 [41.53]	.236 [5.99]	.436 [11.07]	.509 [12.93]	.334 [8.48]	1.857 [47.17]	1.539 [39.09]	2.103 [53.42]	MS18274-1	15	2	1218381-2	1218381-2
.037 [0.94]	.168 [4.27]	.029 [0.74]	.412 [10.46]	1.615 [41.02]	.224 [5.69]	.416 [10.57]	.479 [12.17]	.324 [8.23]	1.847 [46.91]	1.529 [38.84]	2.073 [52.65]	MS18273-1	9	1	1218381-1	1218381-1
.043 [1.09]	.208 [5.28]	.049 [1.24]	.432 [10.97]	2.188 [55.58]	.236 [5.99]	.436 [11.07]	.620 [15.75]	.446 [11.33]	2.411 [61.24]	2.084 [52.93]	2.650 [67.31]	MS18277-1	50	5	1218381-5	1218381-5
.037 [0.94]	.168 [4.27]	.029 [0.74]	.524 [13.31]	2.168 [55.07]	.224 [5.69]	.416 [10.57]	.590 [14.99]	.436 [11.07]	2.401 [60.99]	2.074 [52.68]	2.620 [66.55]	MS18276-1	37	4	1218381-4	1218381-4
.043 [1.09]	.208 [5.28]	.049 [1.24]	.432 [10.97]	2.282 [57.96]	.236 [5.99]	.436 [11.07]	.509 [12.93]	.334 [8.48]	2.505 [63.63]	2.187 [55.55]	2.744 [69.70]	MS18275-1	25	3	1218381-3	1218381-3
.037 [0.94]	.168 [4.27]	.029 [0.74]	.412 [10.46]	2.262 [57.45]	.224 [5.69]	.416 [10.57]	.479 [12.17]	.324 [8.23]	2.495 [63.37]	2.177 [55.30]	2.714 [68.94]	MS18274-1	15	2	1218381-2	1218381-2
.043 [1.09]	.208 [5.28]	.049 [1.24]	.432 [10.97]	1.635 [41.53]	.236 [5.99]	.436 [11.07]	.509 [12.93]	.334 [8.48]	1.857 [47.17]	1.539 [39.09]	2.103 [53.42]	MS18273-1	9	1	1218381-1	1218381-1
.037 [0.94]	.168 [4.27]	.029 [0.74]	.412 [10.46]	1.615 [41.02]	.224 [5.69]	.416 [10.57]	.479 [12.17]	.324 [8.23]	1.847 [46.91]	1.529 [38.84]	2.073 [52.65]	MS18277-1	50	5	1218381-5	1218381-5
.043 [1.09]	.208 [5.28]	.049 [1.24]	.432 [10.97]	2.282 [57.96]	.236 [5.99]	.436 [11.07]	.509 [12.93]	.334 [8.48]	2.505 [63.63]	2.187 [55.55]	2.744 [69.70]	MS18276-1	37	4	1218381-4	1218381-4
.037 [0.94]	.168 [4.27]	.029 [0.74]	.412 [10.46]	2.262 [57.45]	.224 [5.69]	.416 [10.57]	.479 [12.17]	.324 [8.23]	2.495 [63.37]	2.177 [55.30]	2.714 [68.94]	MS18275-1	25	3	1218381-3	1218381-3
.043 [1.09]	.208 [5.28]	.049 [1.24]	.432 [10.97]	1.635 [41.53]	.236 [5.99]	.436 [11.07]	.509 [12.93]	.334 [8.48]	1.857 [47.17]	1.539 [39.09]	2.103 [53.42]	MS18274-1	15	2	1218381-2	1218381-2
.037 [0.94]	.168 [4.27]	.029 [0.74]	.412 [10.46]	1.615 [41.02]	.224 [5.69]	.416 [10.57]	.479 [12.17]	.324 [8.23]	1.847 [46.91]	1.529 [38.84]	2.073 [52.65]	MS18273-1	9	1	1218381-1	1218381-1
N	M	L	J	H	G	F	E	D	C	B	A	INSERT ARRANGEMENT	NO OF POS	SHELL SIZE	AMP PN ON CONNECTOR	PART NUMBER

THIS DRAWING IS A CONTROLLED DOCUMENT.

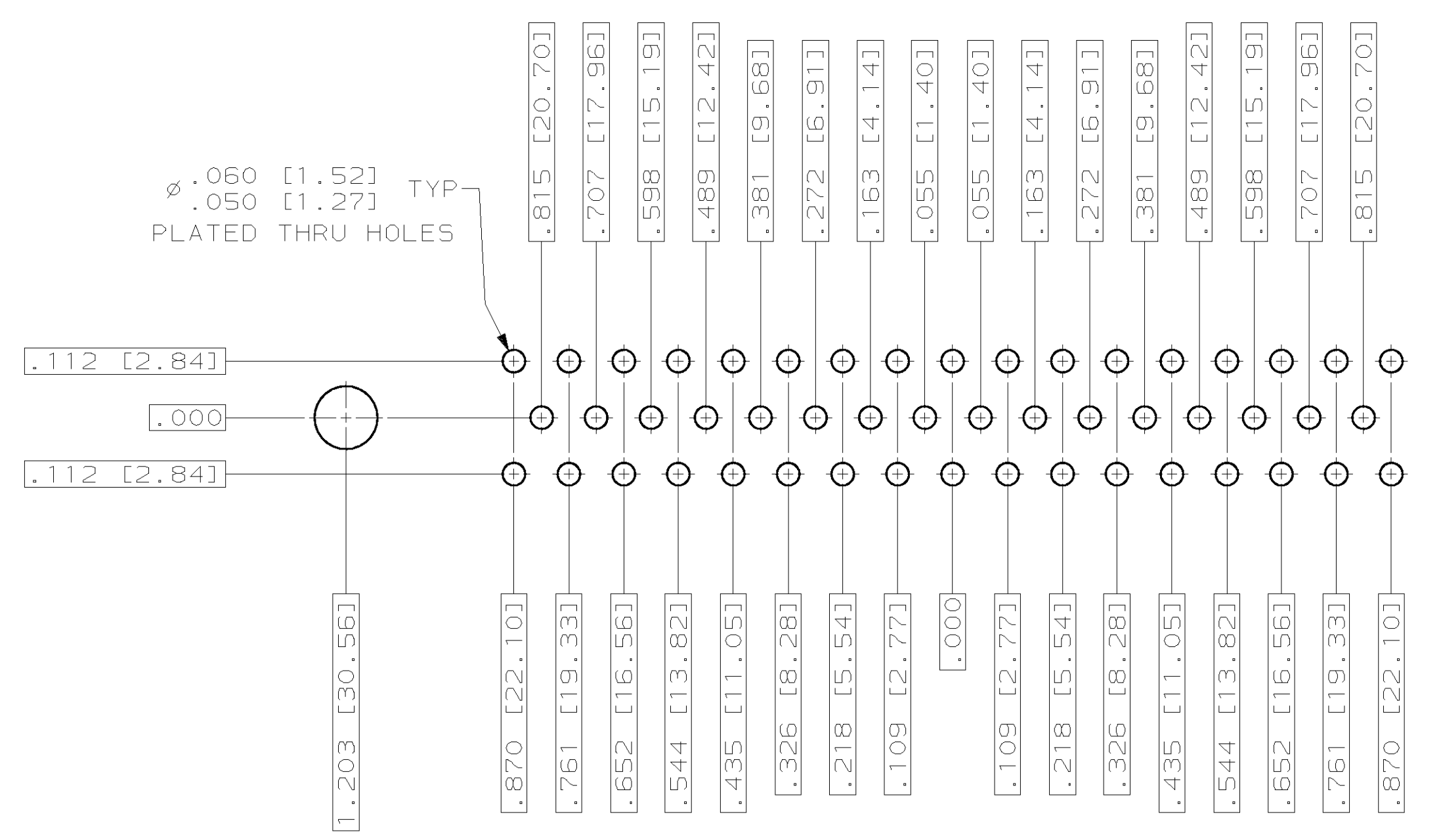
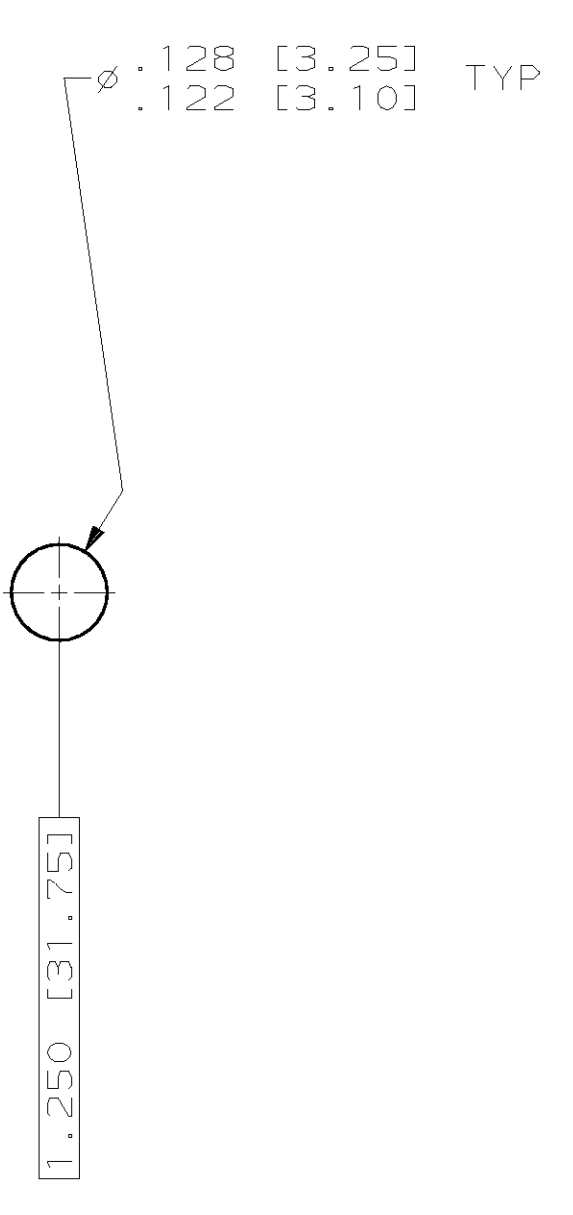
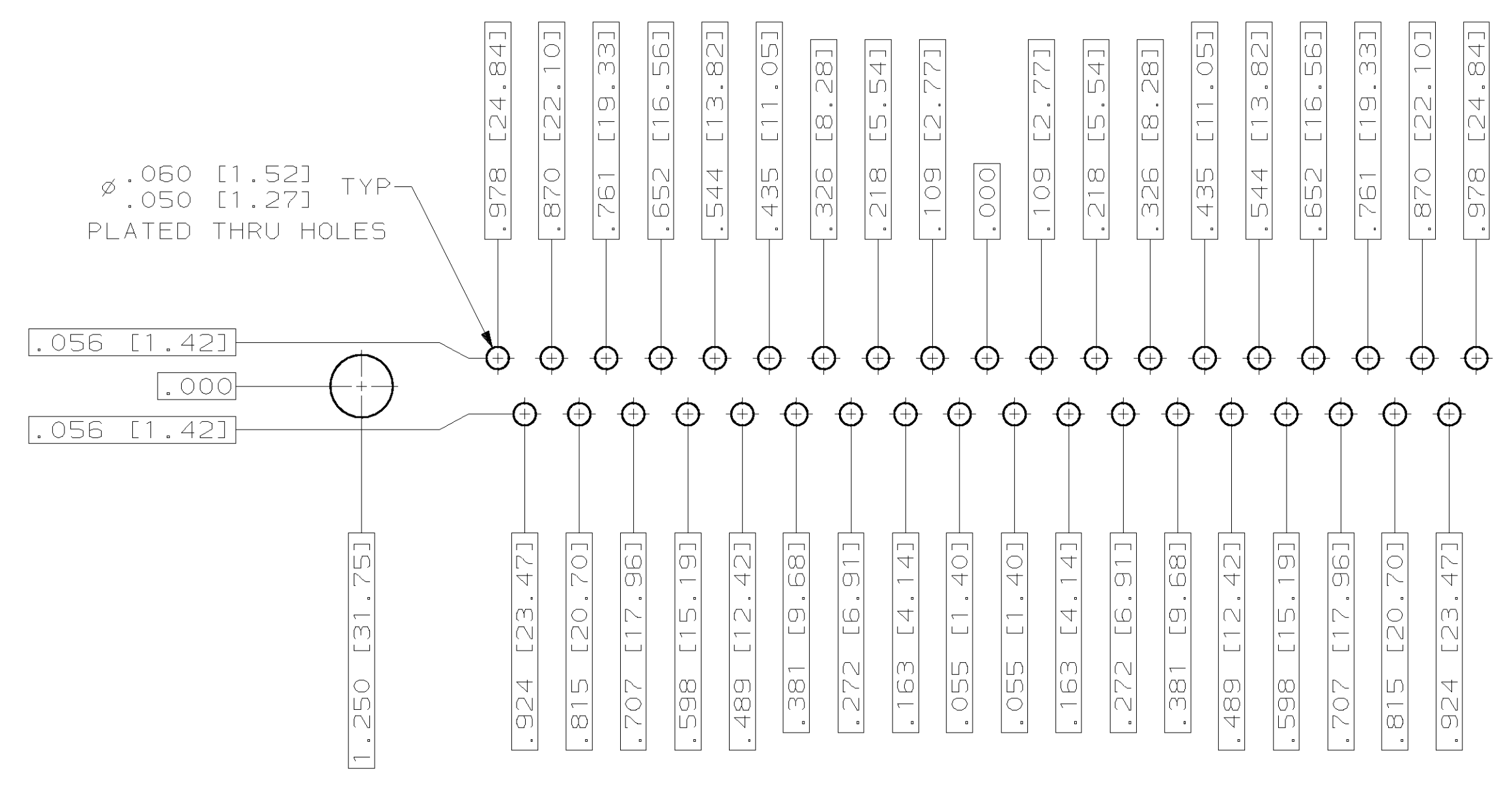
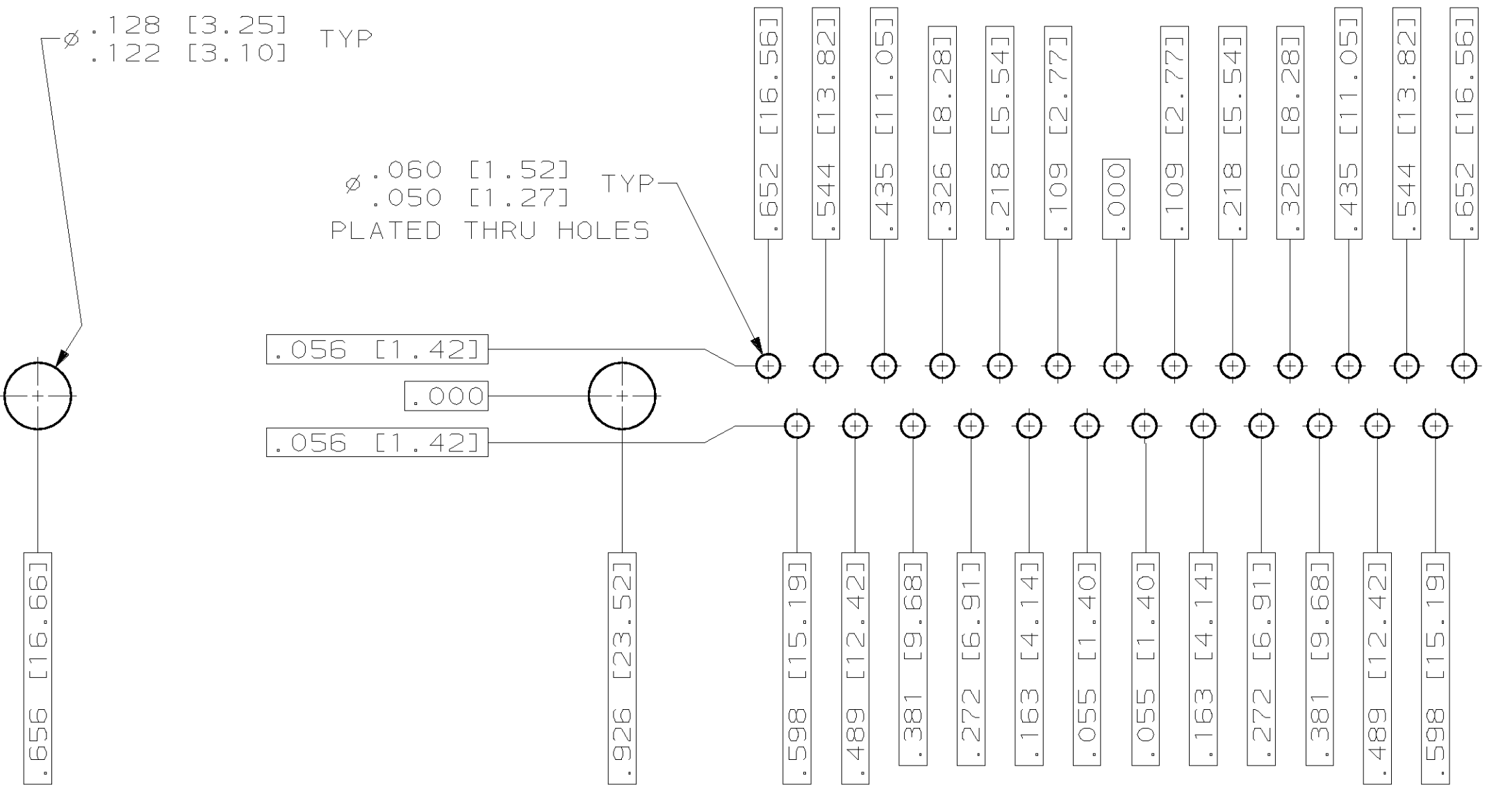
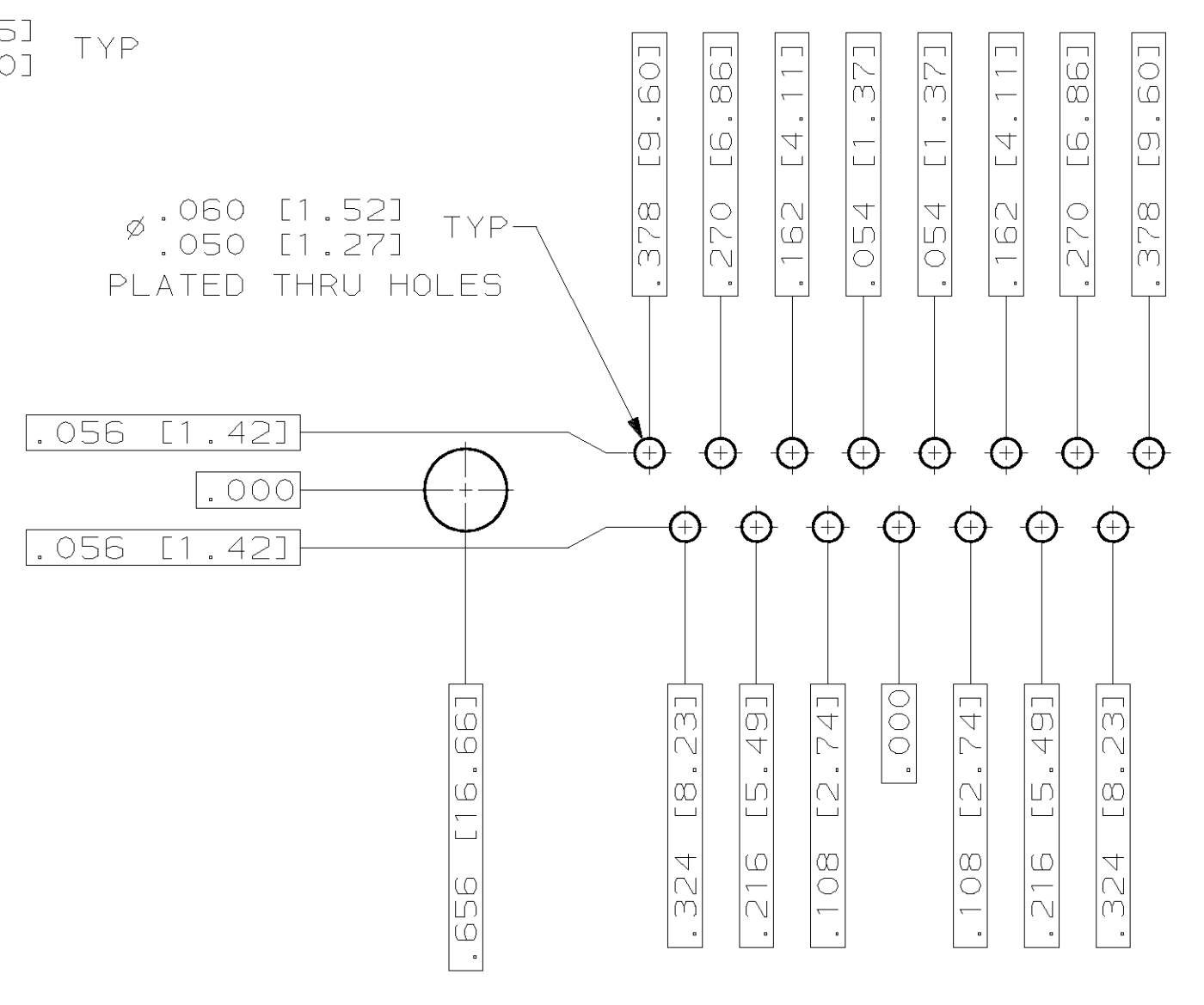
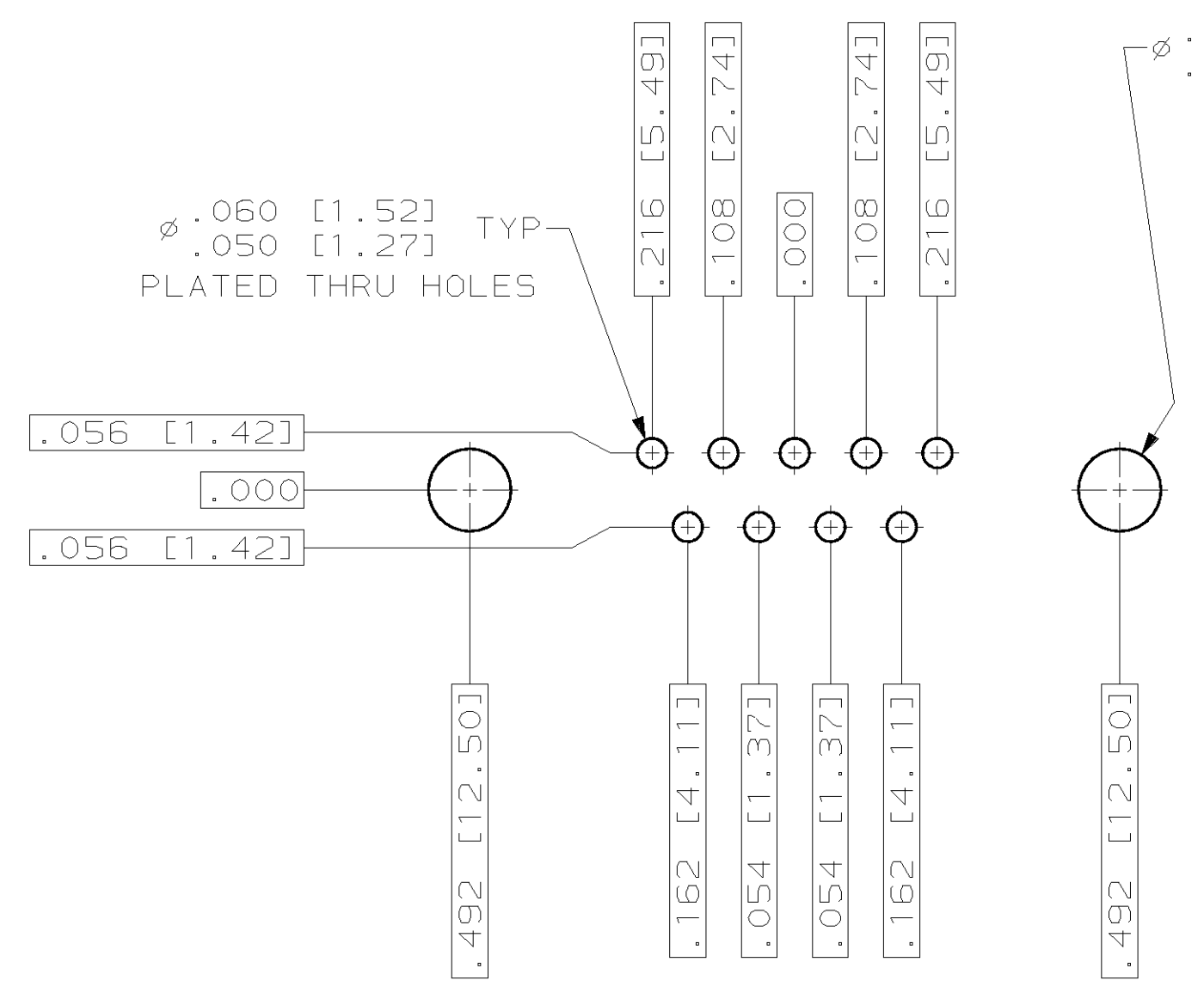
DIMENSIONS (INCHES [mm])	TOLERANCES UNLESS OTHERWISE SPECIFIED	DATE	BY	APP'D
0 PLC ±.005	1 PLC ±.005	9-16-99	C. C. THOMAS	
2 PLC ±.005	3 PLC ±.005	9-21-99	H. WYNKOOP	
4 PLC ±.005	ANGLES ±.005	9-21-99	H. WYNKOOP	

AMP Incorporated
 Harrisburg, PA 17105-3608

NAME: AMPLITE PLUG ASSY, LOW PROFILE
 SIZE 20 POSTED P.C. BOARD CONTACTS
 SERIES 109, SIZE 1 THRU 5

SIZE: A1 CAGE CODE: 00779 DRAWING NO: 1218381
 WEIGHT: - RESTRICTED TO: -
 CUSTOMER DRAWING SCALE: 4:1 SHEET 1 OF 2 REV C

REVISONS		DATE	OWN	APVD
DF	DO			
		SEE SHEET 1		



THIS DRAWING IS A CONTROLLED DOCUMENT.		DWN C.C. THOMAS 3-15-99	AMP Incorporated Harrisburg, PA 17105-3608
DIMENSIONS INCHES (mm)		CHK H. WYNKOOP 9-21-99	NAME AMPLIMITE PLUG ASSY, LOW PROFILE SIZE 20 POSTED P.C. BOARD CONTACTS, SERIES 109, SIZE 1 THRU 5
TOLERANCES UNLESS OTHERWISE SPECIFIED.		APVD H. WYNKOOP 9-21-99	PRODUCT SPEC
0 PLC ±.010		APPLICATION SPEC	
1 PLC ±.008		SIZE	
2 PLC ±.005		CAGE CODE	
3 PLC ±.003		DRAWING NO	
4 PLC ±.002		RESTRICTED TO	
MATERIAL		WEIGHT	
FINISH		A1 00779 1218381	
		CUSTOMER DRAWING	
		SCALE 4:1 SHEET 2 OF 2 REV C	