

THIS DRAWING IS UNPUBLISHED. RELEASED FOR PUBLICATION NOV ,2005.
 © COPYRIGHT 2005 BY TYCO ELECTRONICS CORPORATION. ALL RIGHTS RESERVED.

LOC	DIST	REVISIONS			
P	LTR	DESCRIPTION	DATE	DWN	APVD
E	B	C	ECR-05-016219	24NOV05	JMS FWK

NOTES:

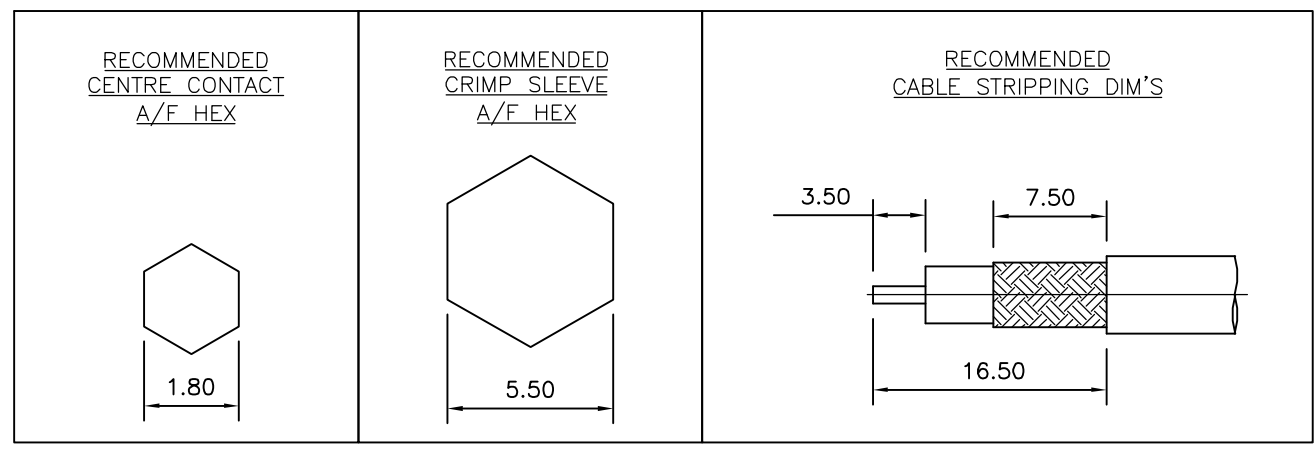
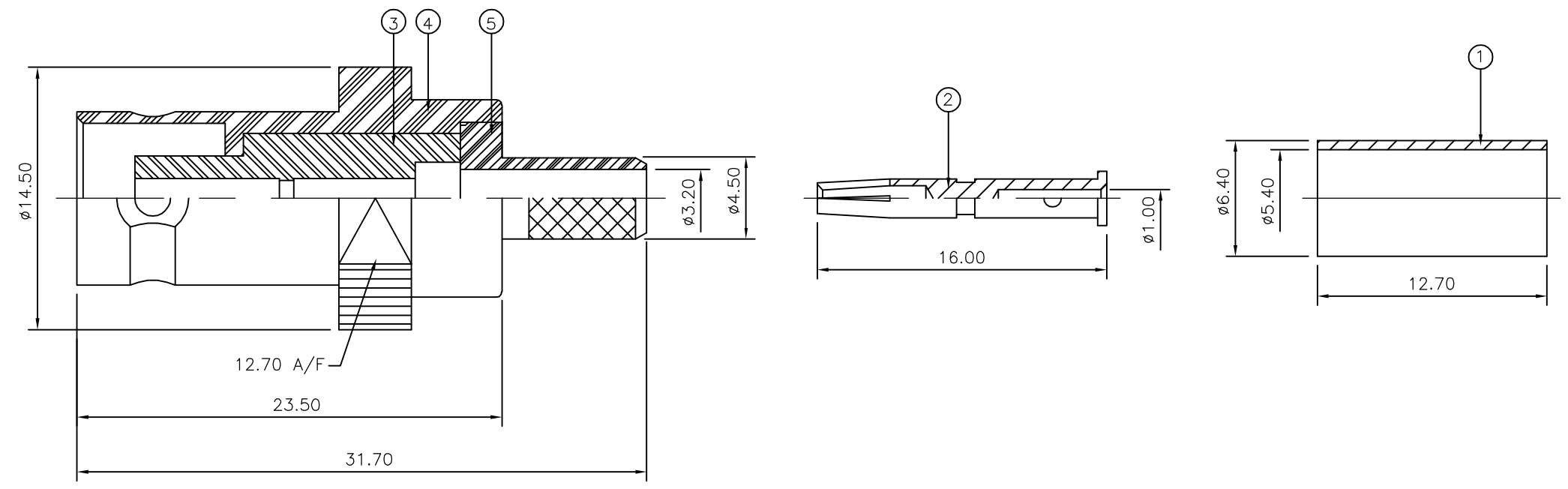
- ① PACK IN ACCORDANCE WITH AMP SPEC 107-3275
- ② 100 TRAY PACK IN ACCORDANCE WITH AMP SPEC 107-3275
- ③ Ag PLATING

- 4 HAND TOOL : 9-1478240-0
- 5 DIE SET : 9-1478242-0

6 ELECTRICAL CHARACTERISTICS
 FREQUENCY RANGE: DC - 4 GHz
 NOMINAL IMPEDANCE: 50 Ohm
 INSULATION RESISTANCE: 5000 MOhm
 WORKING VOLTAGE: 500 Volts RMS at Sea Level
 DIELECTRIC WITHSTAND VOLTAGE: 1500 Volts RMS Max
 CONTACT RESISTANCE:
 CENTRE CONTACT: 1.50 mOhm Max
 OUTER CONTACT: 0.20 mOhm Max
 VSWR @ 4GHz: 1.30:1 Max
 INSERTION LOSS dB @ x 3 GHz: 0.20 Max

7 MECHANICAL CHARACTERISTICS
 COUPLING NUT RETENTION FORCE: N/A
 CABLE RETENTION FORCE: 170N Min
 DURABILITY: 500 Cycles Min

8 ENVIRONMENTAL CHARACTERISTICS
 OPERATING TEMPERATURE: -65 to +165 DegC



QTY	PLC	LTR	MATERIAL	DESCRIPTION	ITEM
1	1		BRASS	CHASSIS	5
1	1		BRASS	BODY	4
1	1		PTFE	INSULATION	3
1	1		BRASS	CONTACT	2
1	1		BRASS	FERRULE	1
6--0	1--0		MATERIAL	DESCRIPTION	ITEM

THIS DRAWING IS A CONTROLLED DOCUMENT.		DWN J.SANDWELL 24NOV05	Tyco Electronics Corporation Bideford EX39 4HE	
DIMENSIONS: mm		CHK S.PARLOW 24NOV05		
TOLERANCES UNLESS OTHERWISE SPECIFIED:		APVD F.WHEELER-KING 24NOV05	NAME BNC STRAIGHT JACK CRIMP 50 OHM RG58C/U, 141A/U, URM43, 76, KX15	
0 PLC ± - 1 PLC ± - 2 PLC ± - 3 PLC ± - 4 PLC ± - ANGLES ± -		PRODUCT SPEC 108-3435	RESTRICTED TO	
MATERIAL SEE TABLE		FINISH -	APPLICATION SPEC 411-3247	SIZE A3
		WEIGHT -	APPLIC. SPEC 411-3247	CAGE CODE 00779
			WEIGHT -	DRAWING NO 1337442
			CUSTOMER DRAWING	SCALE NTS
				SHEET 1 OF 1
				REV C