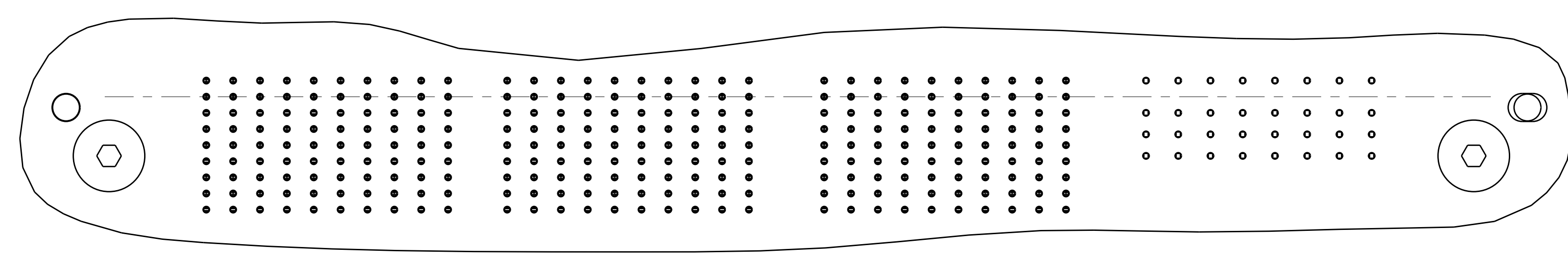
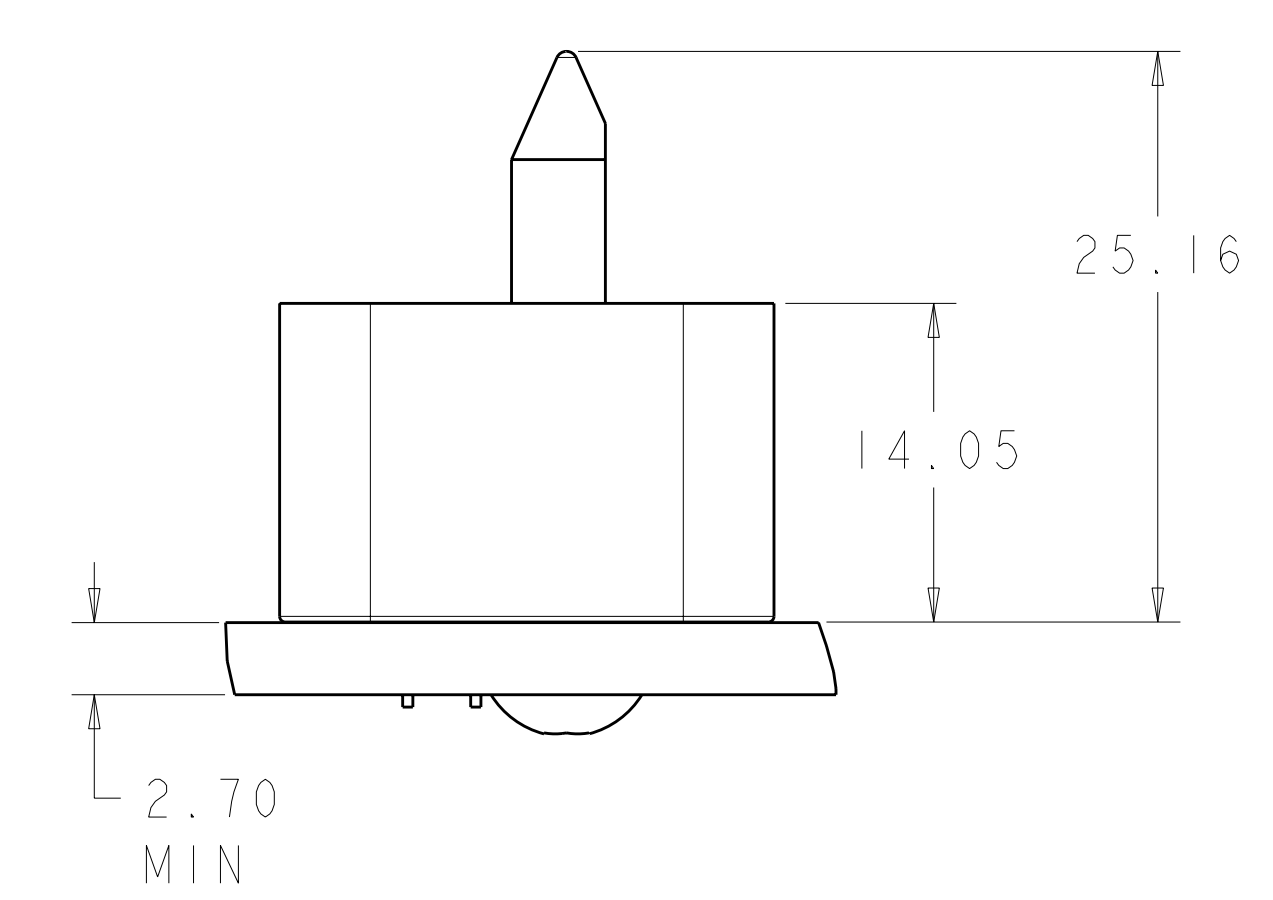
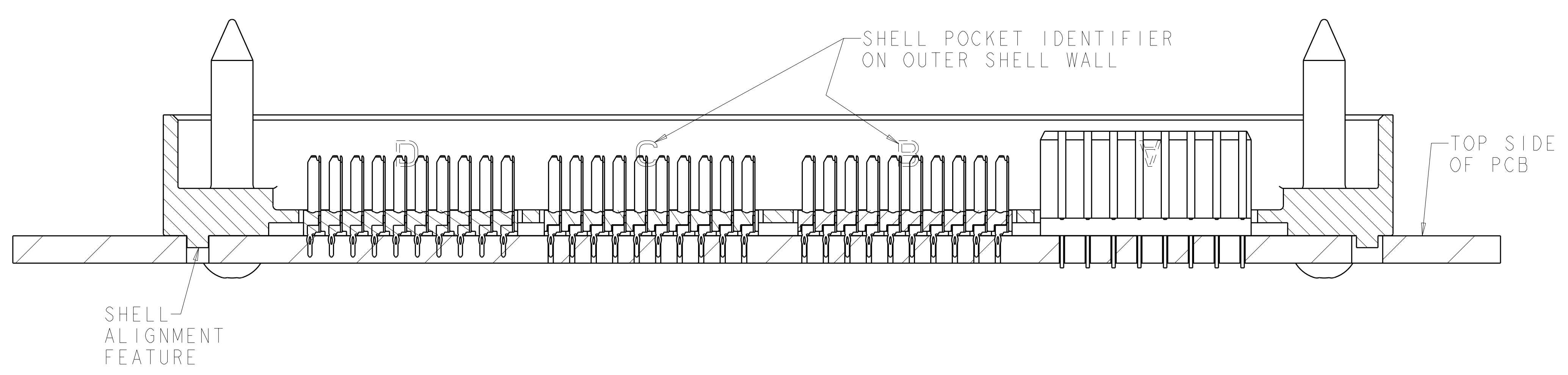
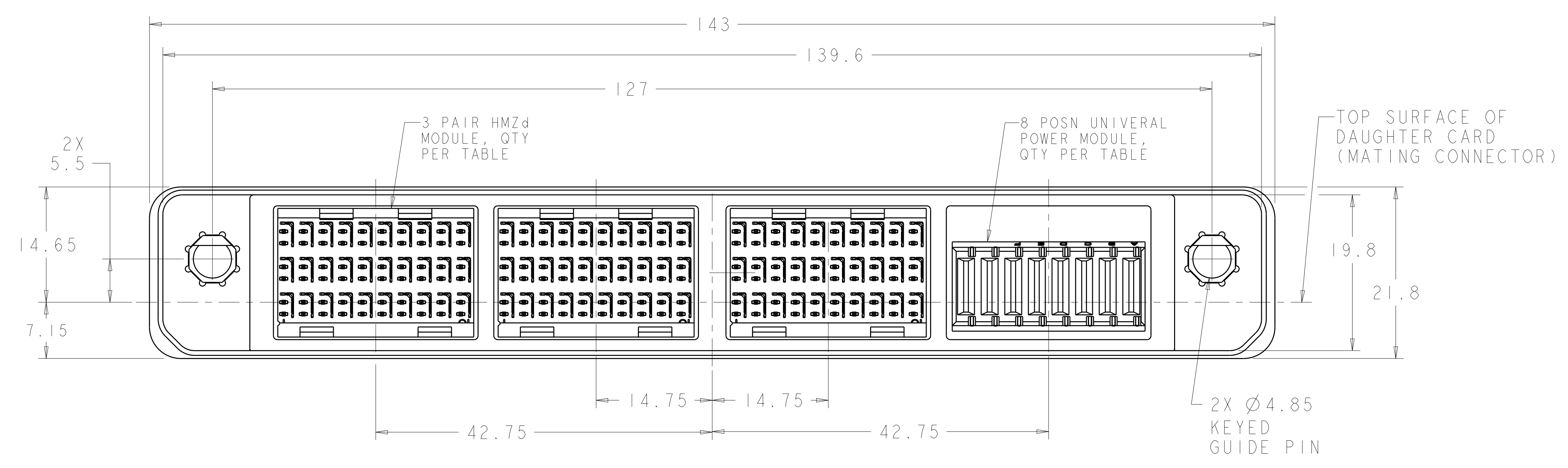


LOC	DIST	REV	DATE	BY	APPD
DF	A5	A	11DEC2009	BY	CY



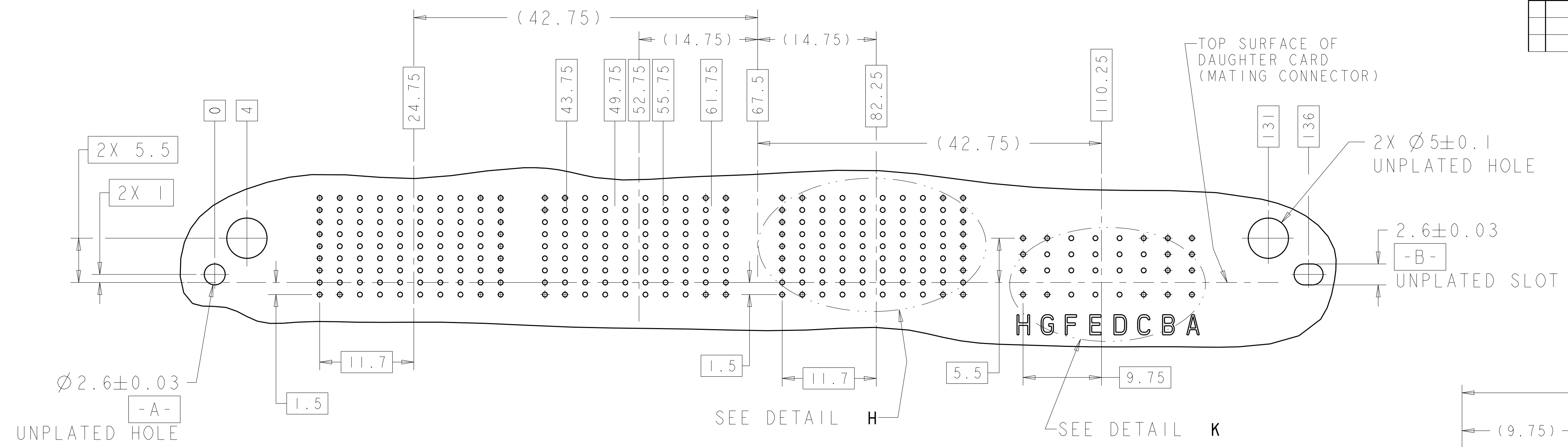
1. MATING CONNECTOR FOR THIS CONNECTOR IS 2000667.

CAUTION: UNTIL FURTHER NOTICE, ALL DIMENSIONS ON THIS DRAWING SHOULD BE CONSIDERED FOR REFERENCE ONLY

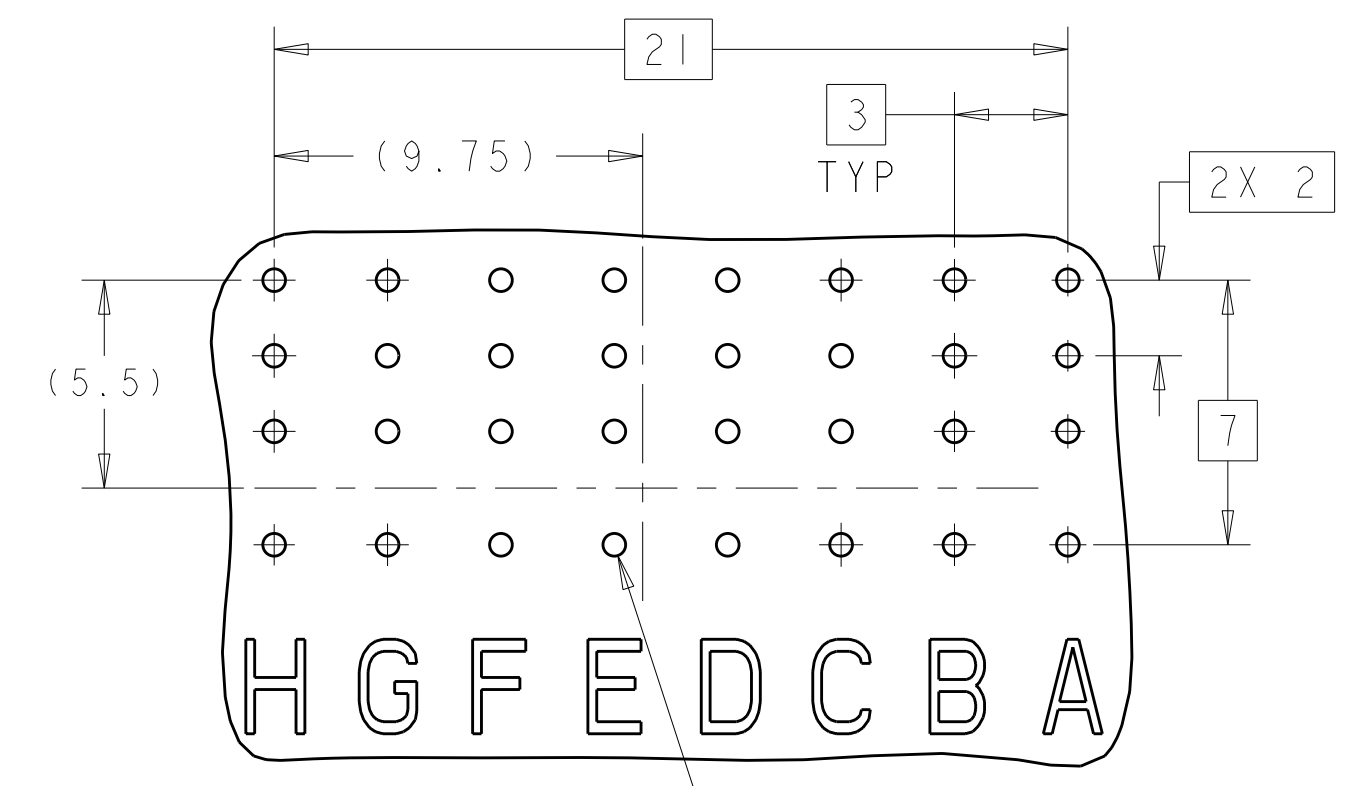
--	NOT RELEASED	2000668-4
TIN-LEAD	-	3
TIN	-	4
--	NOT RELEASED	2000668-1
TAIL PLATING	COAX	8 POSN UPM MODULE
		3 PAIR HMZd MODULE
	MODULE QTY PER ASSY	PART NUMBER

DIMENSIONS:		TOLERANCES UNLESS OTHERWISE SPECIFIED:		MATERIAL:		FINISH:		WEIGHT:		CUSTOMER DRAWING:	
mm	0 PLC	±									
	1 PLC	±									
	2 PLC	±									
	3 PLC	±									
	4 PLC	±									
	ANGLES	±									

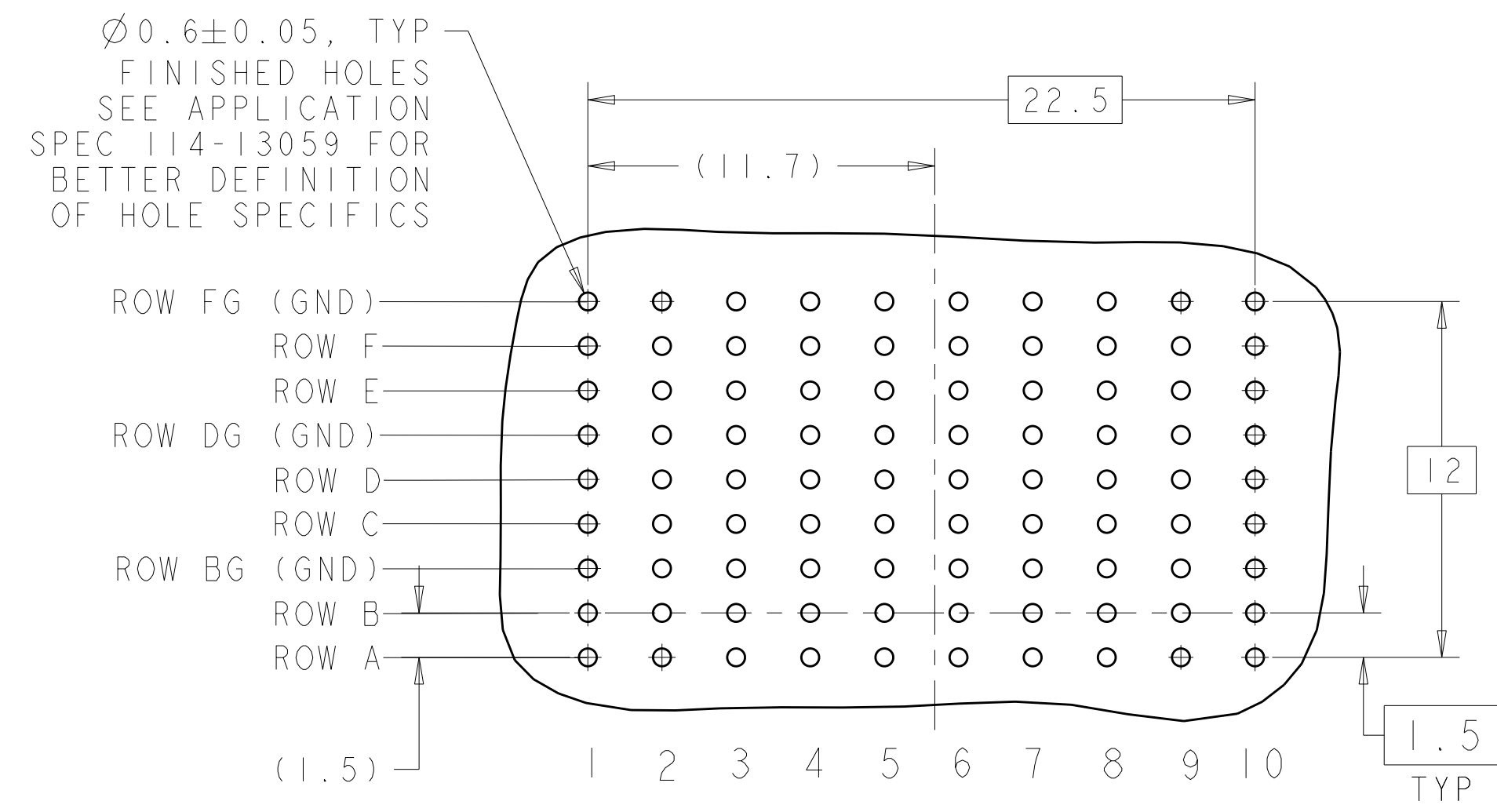
LOC	DIST	REV	DATE	BY	APPD
DF	A5				



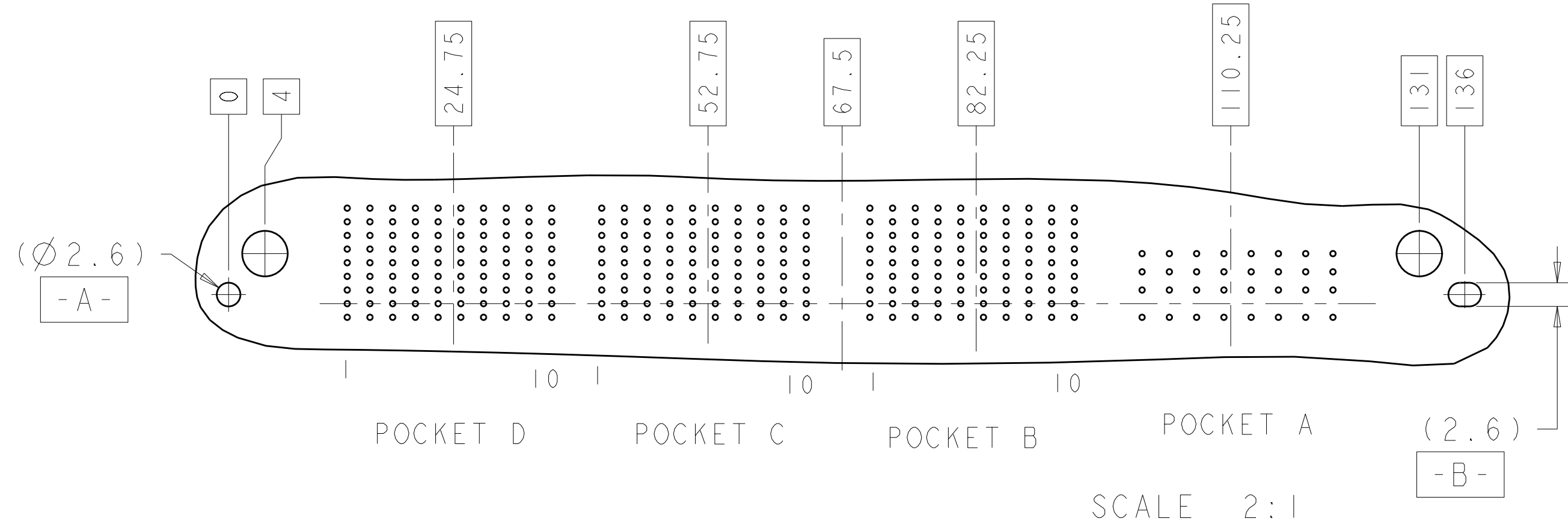
RECOMMENDED PC BOARD HOLE LAYOUT
 AS VIEWED FROM TOP OF PC BOARD
 2000668-3 SHOWN



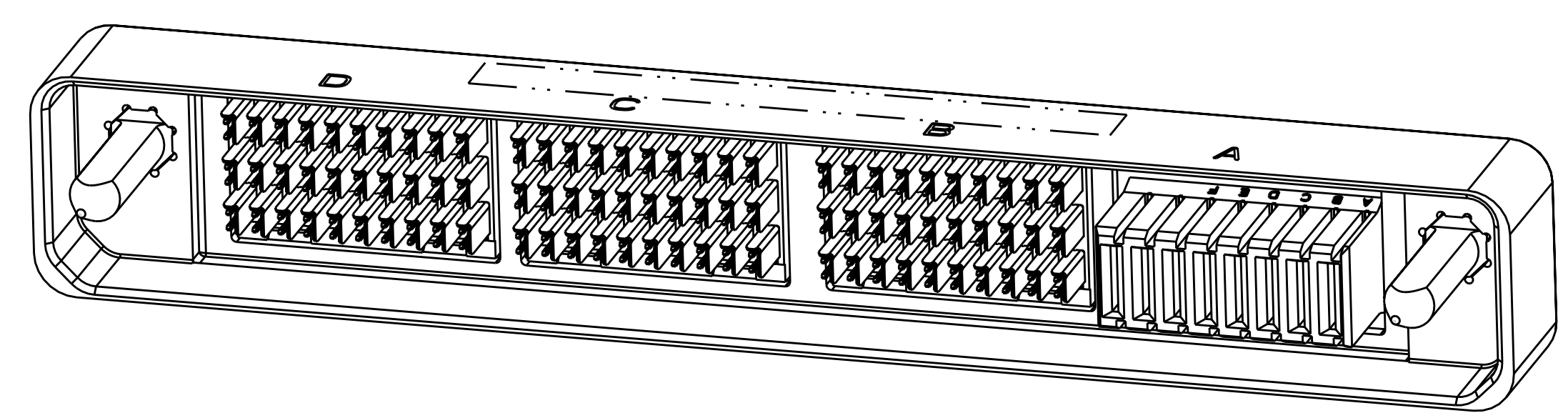
DETAIL K
 SCALE 5:1
 8 POSITION
 UNIVERSAL
 POWER MODULE
 Ø0.6±0.05, TYP
 FINISHED HOLES
 SEE APPLICATION
 SPEC 114-1103 FOR
 BETTER DEFINITION
 OF HOLE SPECIFICS



DETAIL H
 SCALE 5:1
 3 PAIR HMZd
 TYP 3X



RECOMMENDED PC BOARD HOLE LAYOUT
 AS VIEWED FROM TOP OF PCB
 2000668-3 SHOWN (3 HM-Zd MODULES
 AND 1 UPM MODULE)



2000668-3
 SCALE 2:1

DIMENSIONS:		TOLERANCES UNLESS OTHERWISE SPECIFIED:		MATERIAL:		FINISH:		WEIGHT:		CUSTOMER DRAWING:	
mm	9 PLC	±									
	1 PLC	±									
	2 PLC	±									
	3 PLC	±									
	4 PLC	±									
	ANGLES	±									

OWN	Brent D. Toth	DATE	11DEC2009
CHK	HUNG T. NGUYEN	DATE	11DEC2009
APPD	CHONG YI	DATE	11DEC2009
NAME	MOTHER BOARD CONNECTOR, HIGH SPEED RUGGEDIZED (HSR), 4 BAY, UNSEALED, VERTICAL		
SIZE	CAGE CODE	DRAWING NO.	RESTRICTED TO
A	100779	C=2000668	

TYCO	Tyco Electronics
Electronics	Harrisburg, PA 17105-3608

SCALE	3:1	SHEET	2	OF	2	REV	A
-------	-----	-------	---	----	---	-----	---