

AG-12864A

•128x64 dots 1/64 Duty

FEATURE

- 1.Construction : STN/FSTN LCD, Bezel,Zebra, Heat Seal and PCB.
- 2.Optional LED or EL back-light,white edge-light LED availble.
- 3.Controller : KS0108B
- 4.5V single power input. Built-in DC/DC converter for LCD driving.
- 5.Normal / Extended temperature type.

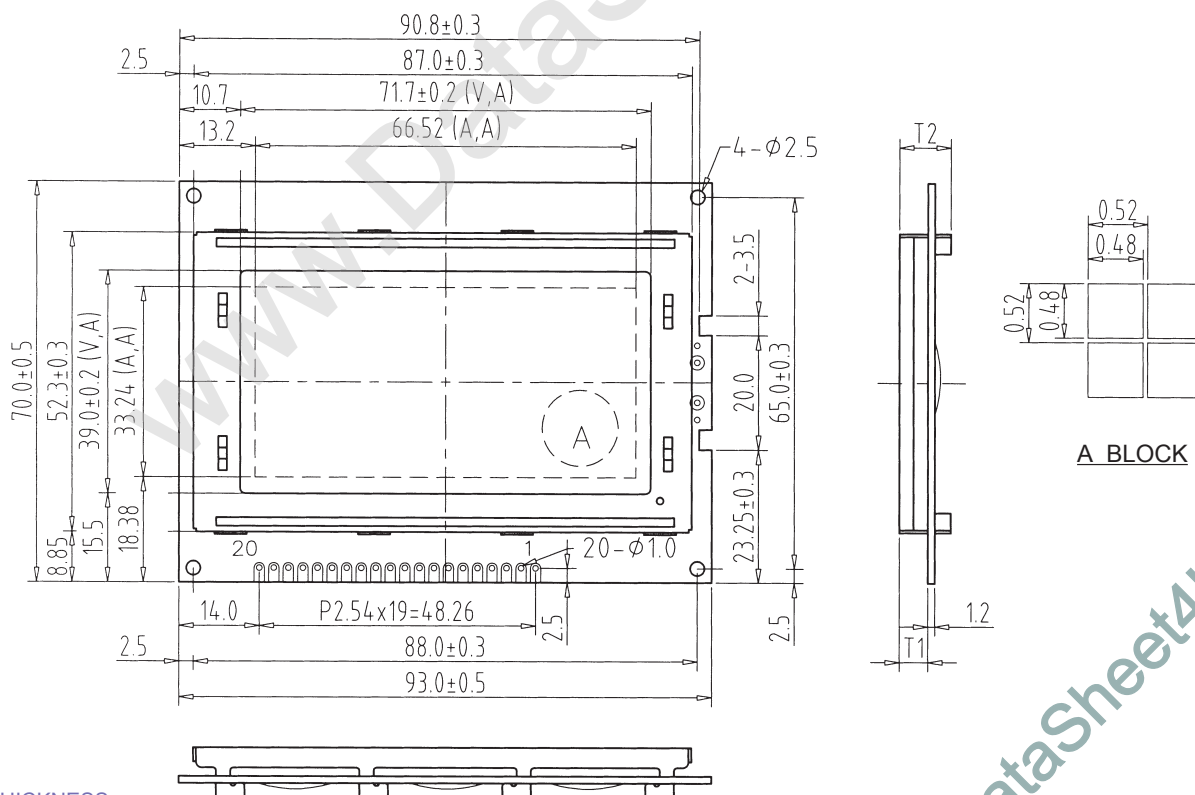
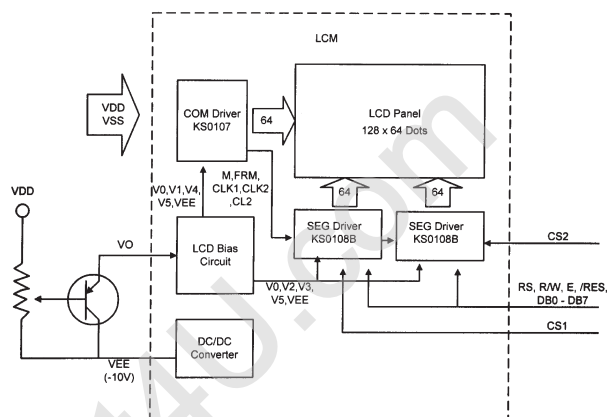
ELECTRICAL CHARACTERISTICS

Item	Symbol	Condition	Typ.Value	Unit.
LCD Driving Voltage	VDD-VO	25°C	12.2	V
Supply Current	IDD	VDD=5.0V	3.0	mA

INTERFACE

1	2	3	4	5	6	7	8	9	10
VSS	VDD	VO	RS	R/W	E	DB0	DB1	DB2	DB3
11	12	13	14	15	16	17	18	19	20
DB4	DB5	DB6	DB7	CS1	CS2	/RES	VEE	A/EL1	K/EL2

BLOCK DIAGRAM & POWER SUPPLY



THICKNESS:

VERSION	T1	T2
EL & NO BACKLIGHT	5.4 ± 0.3	9.5Max
LED BACKLIGHT	9.8 ± 0.3	14.5Max