

SAFETY MODULE - BN5983 with time delay SAFEMASTER



SPECIFICATIONS

CSA, CE, BG, US

Input voltage: 24V DC, 24, 110, 230V AC +/-10%

LED indicators for power source K2 & K3

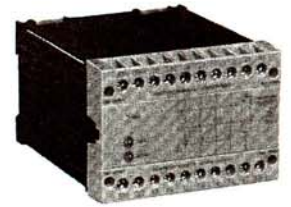
Safety Category 4 per DIN EN954-1

Contact ratings: 2A @ 230V AC

100mm wide

KEY FEATURES

- 3 N.O. safety contacts, 1 N.C. auxiliary contacts, 1 N.O. time delay
- Emergency stop circuits, interlocks, rope pulls and monitor of safety gates and mats
- Channel 1 or 2 connection
- Feedback circuit for external contact monitoring
- Removable terminal strips
- Over voltage and short circuit protection
- Achieves EC directive for machine 98/37/EG and EN 60204-1, DIN VDE 0113-1



BN5983 Series

| Part# | Safety Contacts | Aux. Contacts | Time** Delay | Input* Devices | List |
|--------|-----------------|---------------|--------------|----------------|-------|
| BN5983 | 3 N.O. | 1 N.C. | 1 N.O. | 1 N.O. | \$297 |

* For safety category 4 or daisy chained input devices for category 3

** Indicates release delayed (800ms)

Voltage Code:

For 24V DC ONLY add suffix "N" to BH P/N

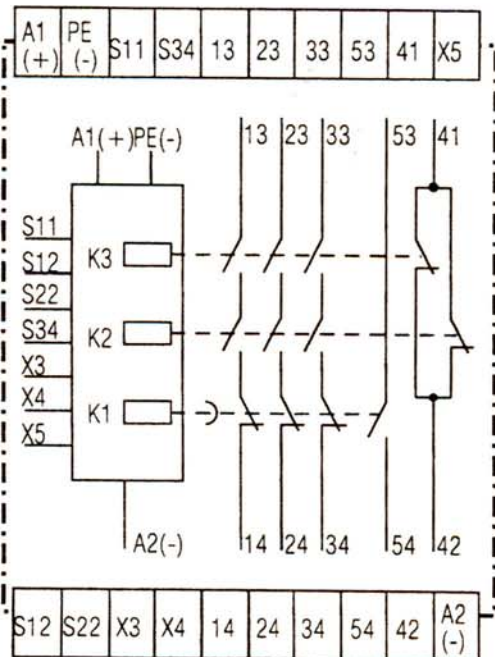
For 24V AC add suffix "G" to BH P/N

For 110V AC add suffix "A" to BI P/N

For 230V AC add suffix "C" to BI P/N

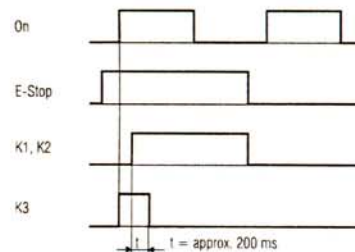
Example: For a 3 N.O. 1 N.C. 1 N.O. time delay @ 24V DC safety module, P/N will be BN5983.53-N

Circuit Diagram

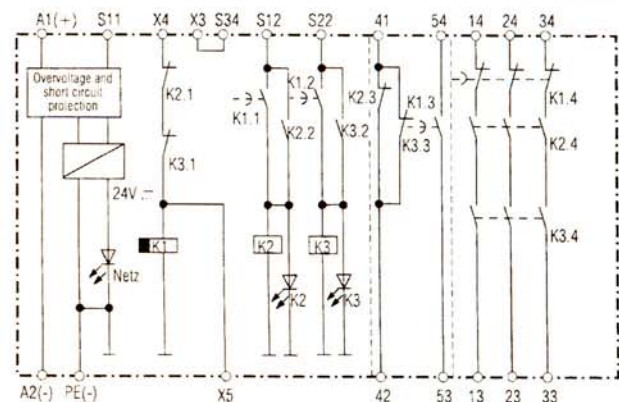


BN 5983.53/101

Function Diagram



Block Diagram



BN5983

For application examples, see pages 74-75.