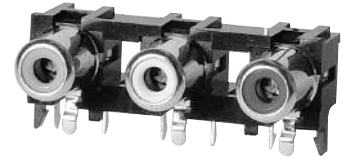
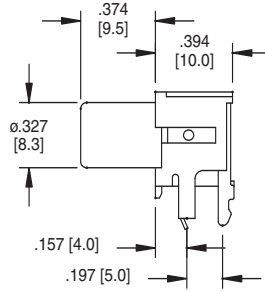
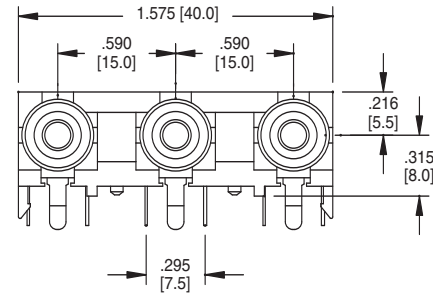
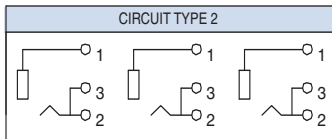


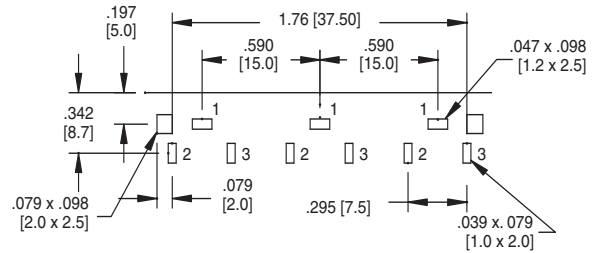
RCA-7



RCA-7-2-Y/W/R

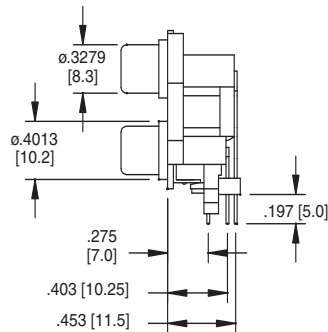
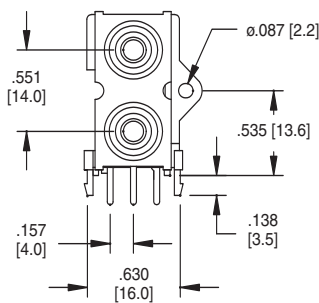


CIRCUIT

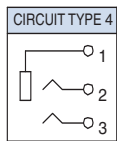


Recommended PCB Layout (Bottom View)

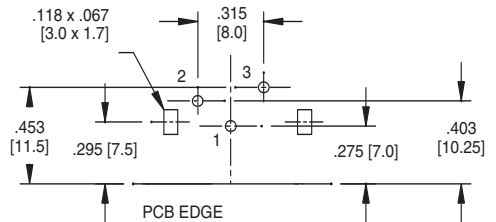
RCA-8



RCA-8-4-W/Y

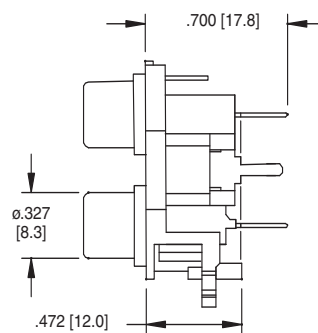
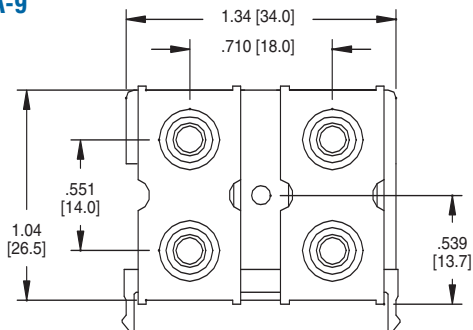


CIRCUIT

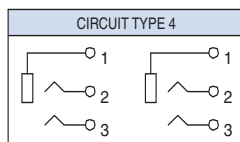


Recommended PCB Layout (Bottom View)

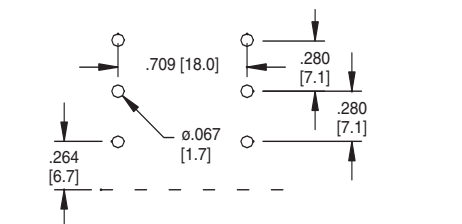
RCA-9



RCA-9-4-Y/R



CIRCUIT



Recommended PCB Layout (Bottom View)

