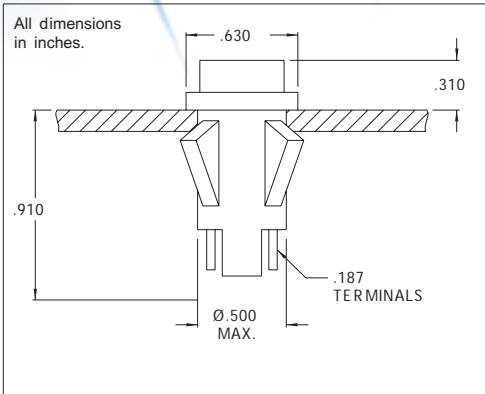


WORLDWIDE



1050QC, 1051QC, 1052QC, 1053QC and 1090QC Series Non-Relampable Neon-Incandescent Indicator Lights

DESCRIPTION AND FEATURES



Mounting: Will snap-fit into Ø.500/.505 hole in panels .020/.100 thick. Push-on speednut SN0461 also available.
Mounting hole pattern on page SP2.

Terminals: Tinned brass

Lens: Polycarbonate

Bezel: Polished stainless steel.
For black finish add "X" after the series letter(s).

Housing: White Nylon

Lens Color	Neon		Incandescent	
	Model No. (105-125VAC)	Model No. (208-250V)	Model No. (12V)	Model No. (28V)
Red	1050QC 1	1051QC 1	1090QC 1-12V	1090QC 1-28V
Clear	1050QC 2	-	-	-
Amber	1050QC 3	1051QC 3	1090QC 3-12V	1090QC 3-28V
White	1050QC 4	1051QC 4	1090QC 4-12V	1090QC 4-28V
Green	1052QC 5*	1053QC 5*	1090QC 5-12V	1090QC 5-28V
Lamp used	C 2A+R resistor	C 2A+R resistor	#2162	#2187

* Incorporates G2B lamp and resistor.
Underwriters Laboratories (UL) File No. E20325
Canadian Standards Association (CSA) File No. LR13346

1050QC, 1051QC, 1052QC, 1053QC and 1090QC Series Non-Relampable Neon-Incandescent Indicator Lights



America:
CML Innovative Technologies, Inc.
147 Central Avenue
Hackensack, NJ 07601 -USA
Tel: 1-201-489-8989
Fax: 1-201-489-6911
e-mail: americas@cml-it.com

Europe:
CML Technologies GmbH & Co. KG
Robert-Bunsen-Str. 1
67098 Bad Dürkheim -GERMANY
Tel: +49 (0)6322 9567-0
Fax: +49 (0)6322 9567-88
e-mail: europe@cml-it.com

Asia:
CML Innovative Technologies, Inc.
61 Aida Street
Singapore 459975
Tel: (65)9630-5003
e-mail: asia@cml-it.com