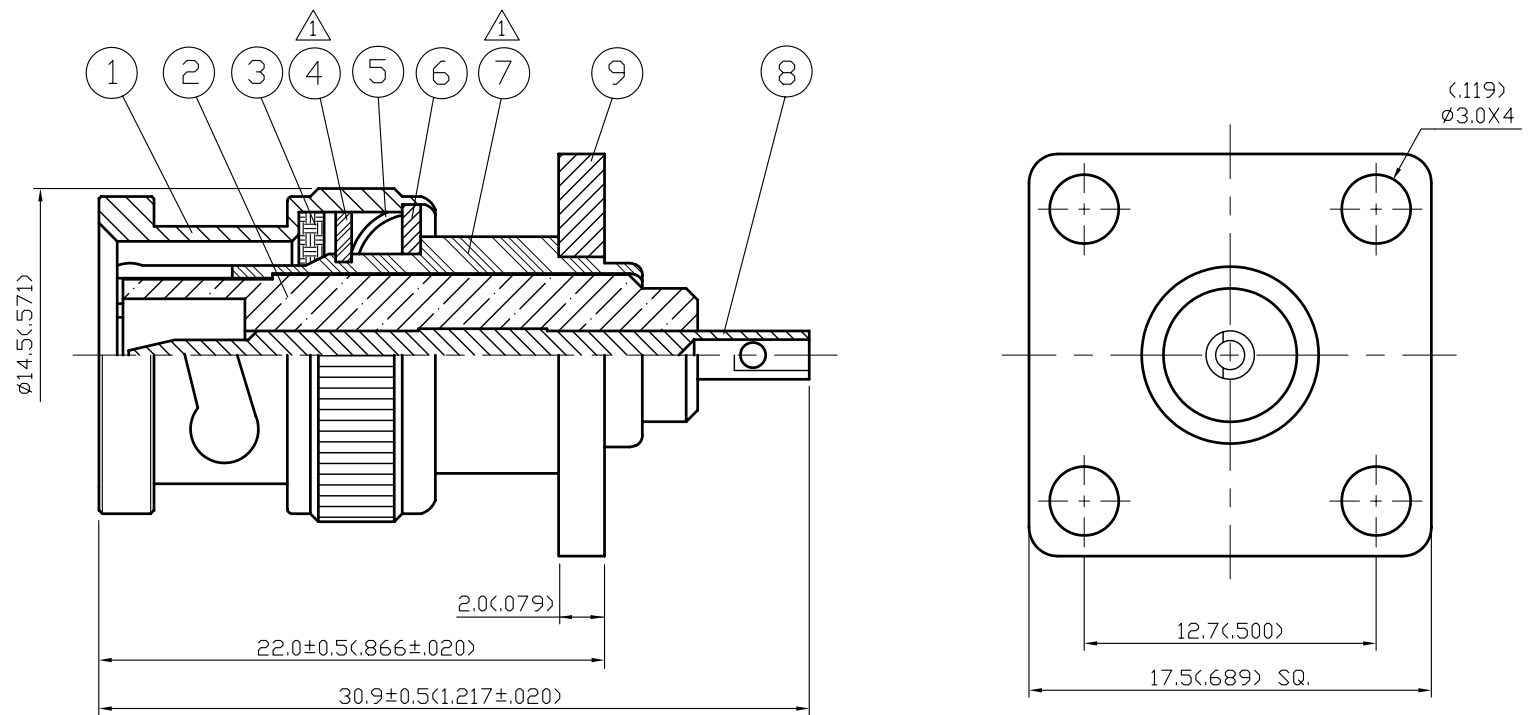


NO	DESCRIPTION	DATE
△	CHANGE PARTS④⑦	01.23.02'



NOTES: UNLESS OTHERWISE SPECIFIED

1. BODIES: BRASS PER JIS-C3604
2. PIN: BRASS PER JIS-C3604
3. INSULATION: TEFLON PER ASTM D1457 AND ASTM D1710
4. SQUARE FLANGE: BRASS PER JIS-C2680
5. PART TO BE CLEAN AND FREE OF BURRS

NO	DESCRIPTION	MATERIAL	Q'TY	FINISH
9	FLANGE	BRASS	1	SILVER 70 μ" MIN.
8	PIN	BRASS	1	SILVER 70 μ" MIN.
7	BODY	BRASS	1	SILVER 70 μ" MIN.
6	WASHER	BRASS	1	SILVER 70 μ" MIN.
5	SPRING	SK-5	1	SILVER 70 μ" MIN.
4	WASHER	BRASS	1	SILVER 70 μ" MIN.
3	GASKET	SILICONE	1	RED
2	INSULATION	TEFLON	1	NONE
1	SHELL	BRASS	1	SILVER 70 μ" MIN.

製圖	DRAWN	TOLERANCE		品名	13-21-2 (50Ω)	日期	DATE	版次	REV.
			.X	±0.2			TITLE		03.23.00'
檢圖	CHECK	.XX	±0.1	單位	DWG.NO.	13-0044			
				mm					
認定	APPROVAL	.XXX	±0.05	比例	佳楠精密電子股份有限公司				
			ANGLE ±5°	4:1	CHIN NAN PRECISION ELECTRONICS CO.,LTD.				