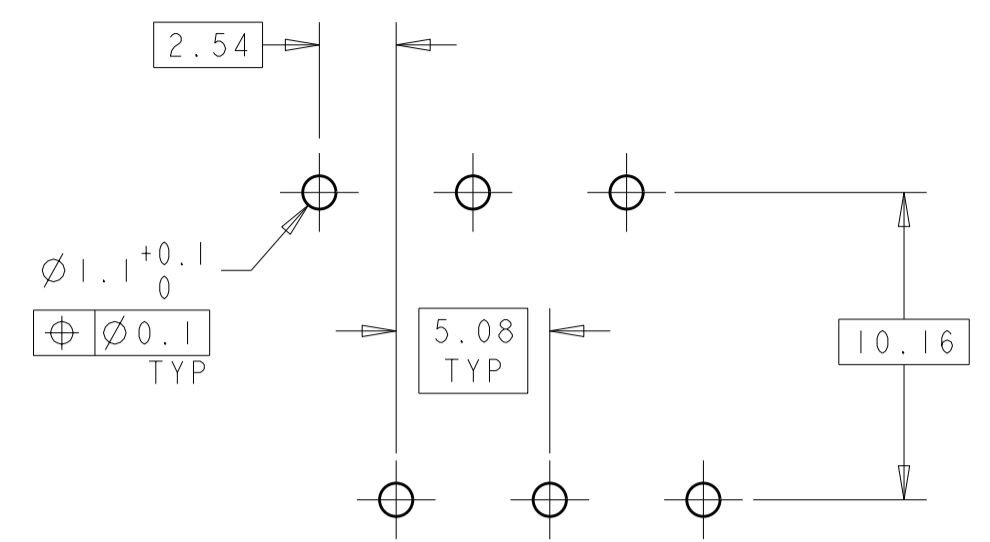
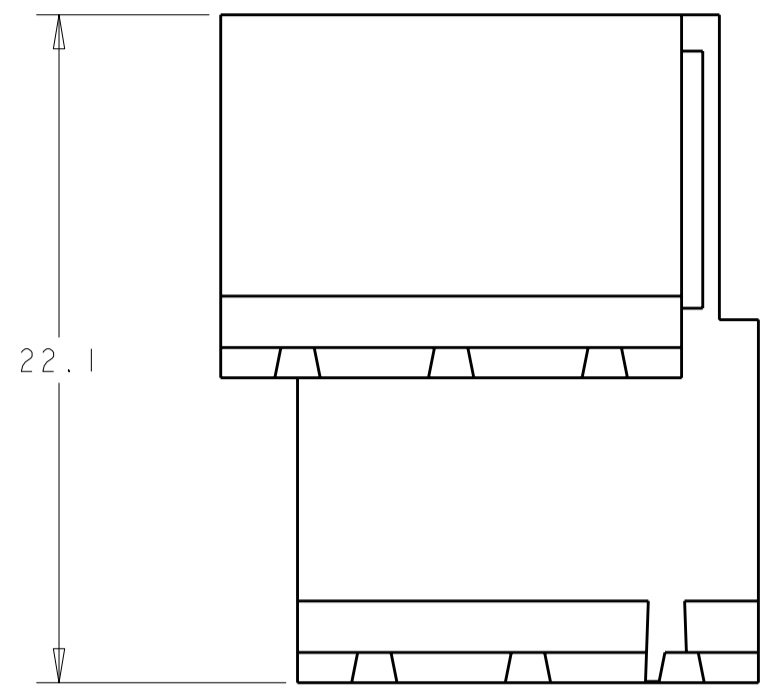
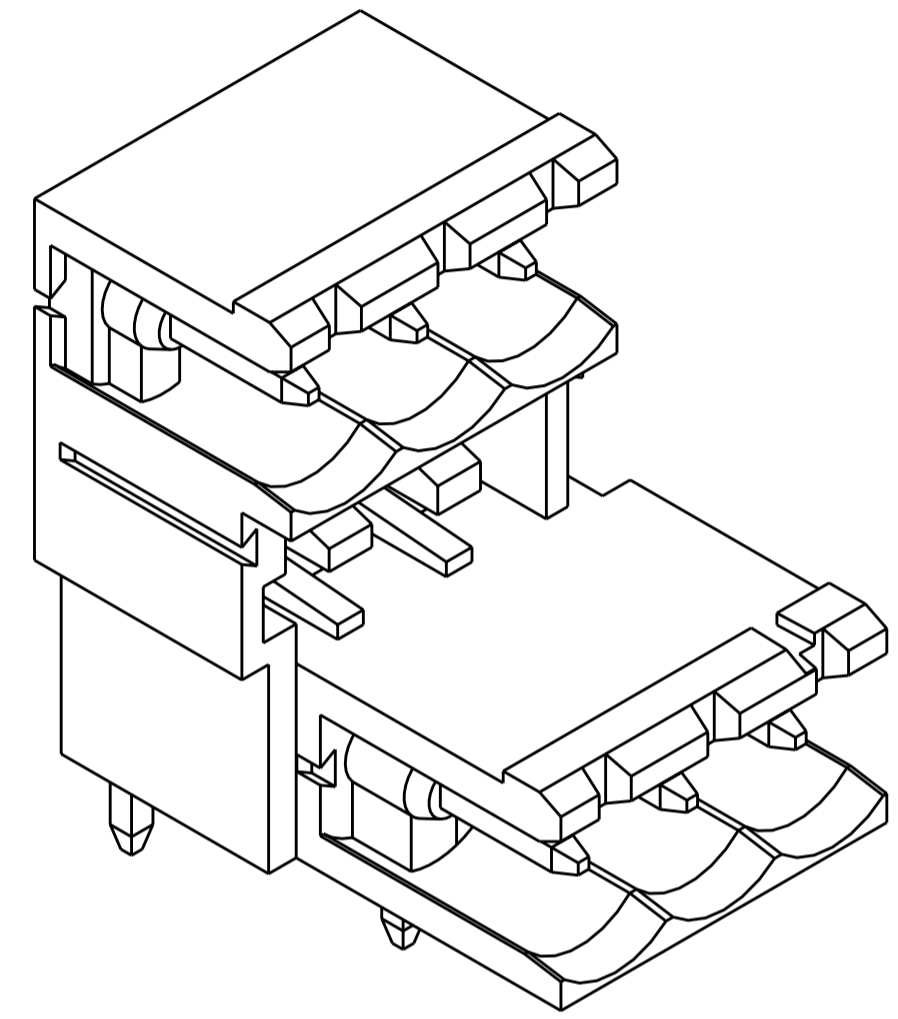


THIS DRAWING IS UNPUBLISHED. RELEASED FOR PUBLICATION 20
 © COPYRIGHT 20 BY TYCO ELECTRONICS CORPORATION. ALL RIGHTS RESERVED.

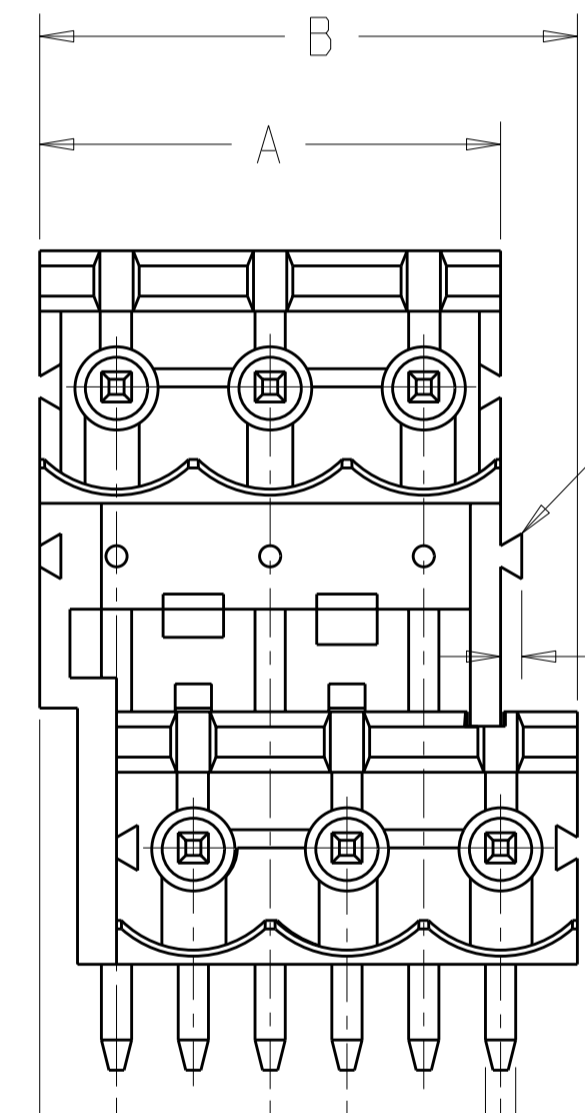
LOC	DIST	REVISIONS			
P	LTR	DESCRIPTION	DATE	DWN	APVD
	D	REVISED EC 0G3B-0456-03	03JUN2003	SW	CR
	E	REVISED EC 0G3B-0405-03	10JUN2003	SW	CR
	F	REVISED EC 0G3B-0629-04	13AUG2004	SW	CR
	FI	REVISED ECO-06-010248	08MAY2006	SW	CR



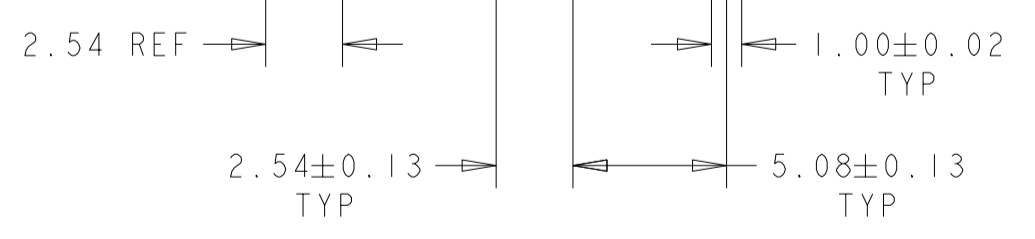
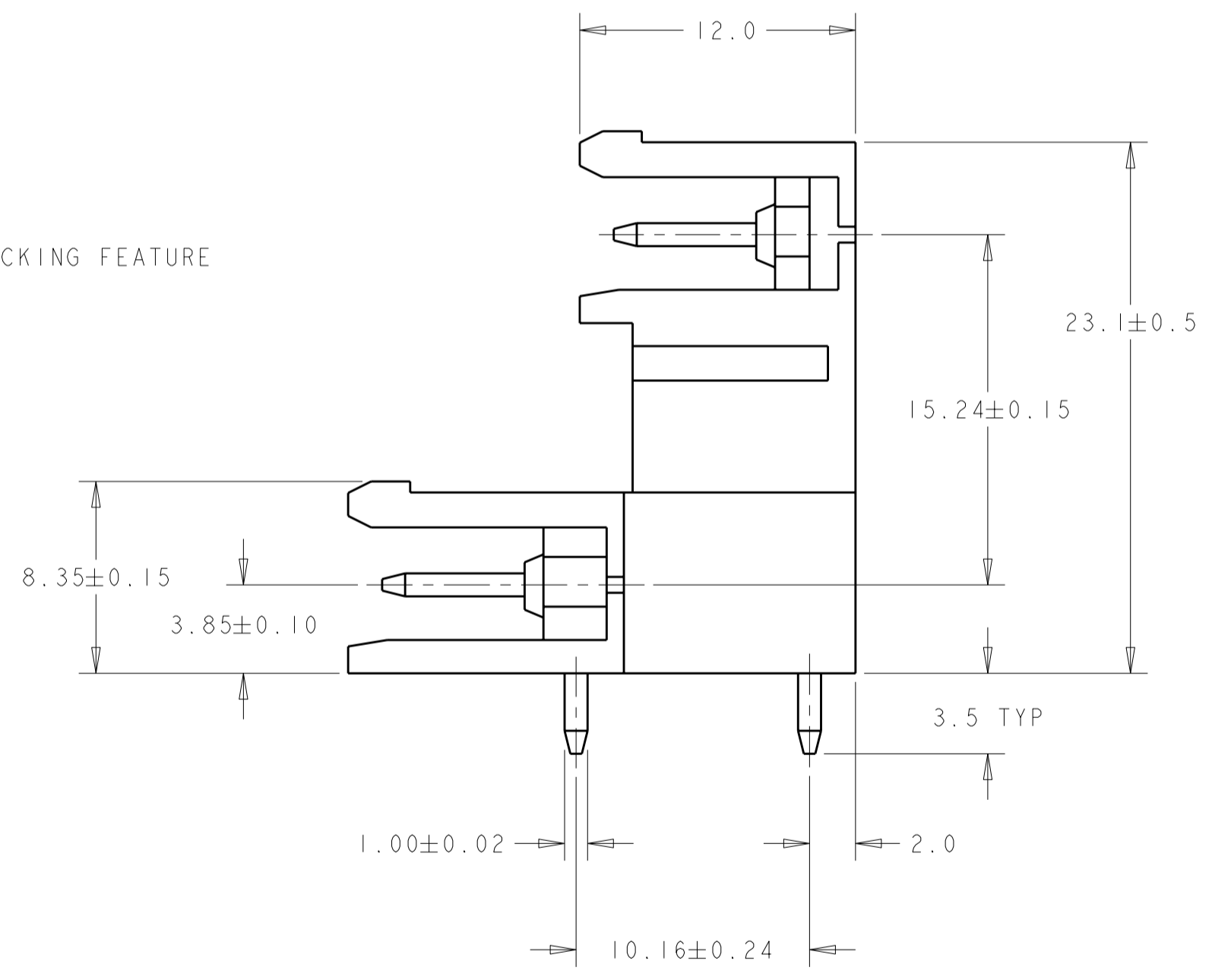
RECOMMENDED PC BOARD LAYOUT



284053-3 AS SHOWN



INTERLOCKING FEATURE



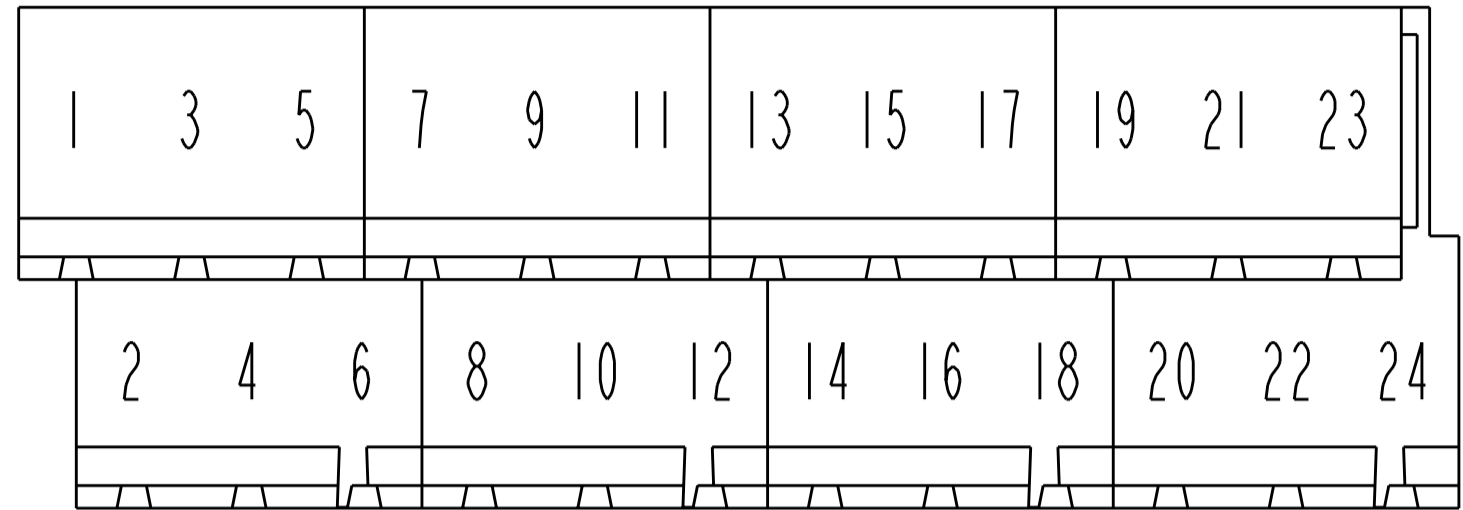
SEE DETAIL G	71.12	60.96	12	2-284053-2	5
SEE DETAIL F	71.12	60.96	12	2-284053-1	5
SEE DETAIL E	71.12	60.96	12	2-284053-0	5
SEE DETAIL D	71.12	60.96	12	1-284053-9	5
SEE DETAIL C	71.12	60.96	12	1-284053-8	5
-	73.66	71.12	14	1-284053-4	
-	58.42	55.88	11	1-284053-1	
-	43.18	40.64	8	284053-8	5
-	33.02	30.48	6	284053-6	
-	27.94	25.40	5	284053-5	
-	17.78	15.24	3	284053-3	
-	12.70	10.16	2	284053-2	
MARKING	B	A	NO OF POSN	PART NUMBER	

- 1 MATERIALS AND FINISH
HOUSING: PA 6-6, UL 94-V0, COLOR GREEN.
TERMINAL: PHOSPHOR BRONZE, TIN PLATED.
- 2. SUITABLE FOR 1,6-2,4mm PC BOARD THICKNESS.
- 3. END-TO-END STACKABLE WITHOUT LOSS OF CENTERLINE SPACING.
- 4 INK MARKED WITH BLACK PERMANENT INK.
- 5 THIS PART NUMBER IS PRELIMINARY PRIOR TO CUSTOMER ORDER.
CONTACT PRODUCT ENGINEERING BEFORE USING THIS PART.

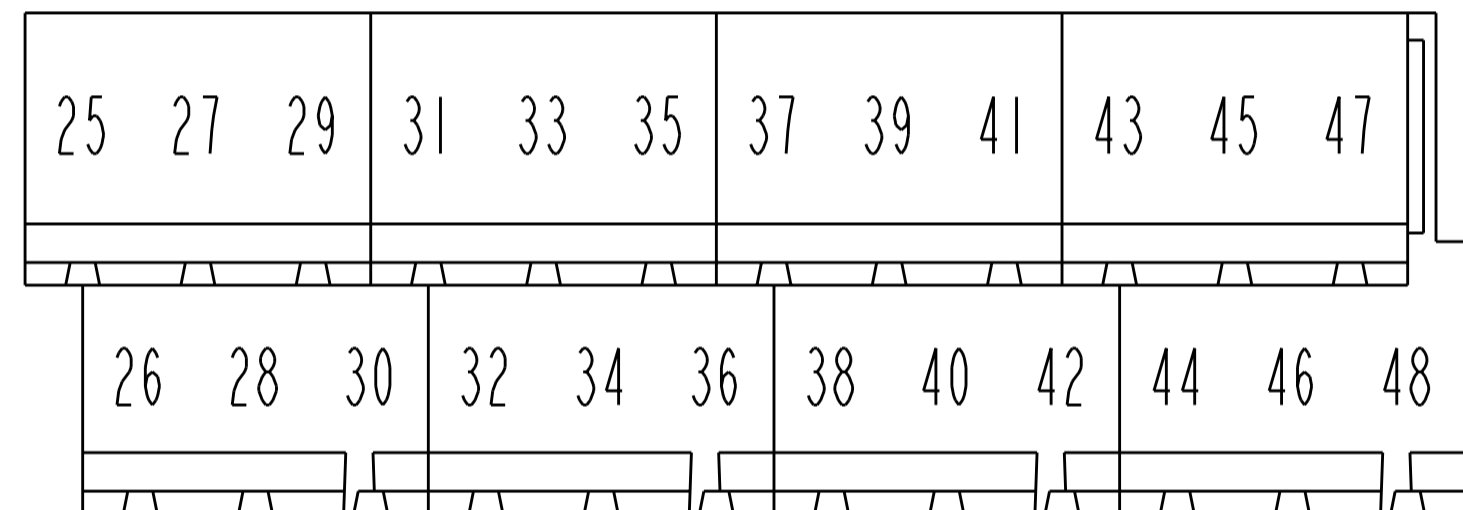
THIS DRAWING IS A CONTROLLED DOCUMENT FOR TYCO ELECTRONICS CORPORATION IT IS SUBJECT TO CHANGE AND THE CONTROLLING ENGINEERING ORGANIZATION SHOULD BE CONTACTED FOR THE LATEST REVISION.		DWN S. WELDON 03JUN2003	Tyco Electronics Harrisburg, PA 17105-3608		
DIMENSIONS: mm		CHK C. RICHARD 03JUN2003	NAME TERMINAL BLOCK, MULTIPLE HEADER ASSEMBLY, 90 DEGREE STACKING W/INTERLOCK, 5.08mm PITCH		
TOLERANCES UNLESS OTHERWISE SPECIFIED:		APVD C. RICHARD 03JUN2003			
0 PLC ±.3 1 PLC ±.25 2 PLC ±.25 3 PLC ±. 4 PLC ±. ANGLES ±2 FINISH		PRODUCT SPEC - APPLICATION SPEC -	SIZE A2	CAGE CODE 00779	DRAWING NO 284053
MATERIAL		WEIGHT -	RESTRICTED TO -		
CUSTOMER DRAWING		SCALE 4:1		SHEET 1 OF 2	

THIS DRAWING IS UNPUBLISHED. RELEASED FOR PUBLICATION 20
 © COPYRIGHT 20 BY TYCO ELECTRONICS CORPORATION. ALL RIGHTS RESERVED.

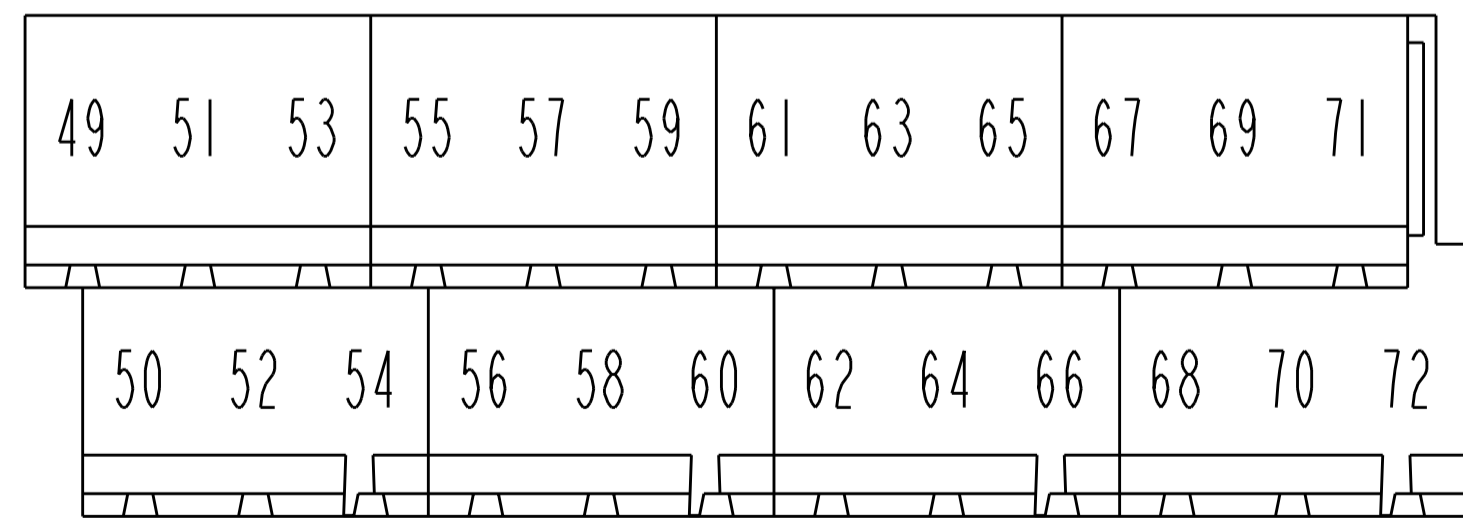
LOC	DIST	REVISIONS			
P	LTR	DESCRIPTION	DATE	DWN	APVD
FT	0	-	SEE SHEET 1	-	-



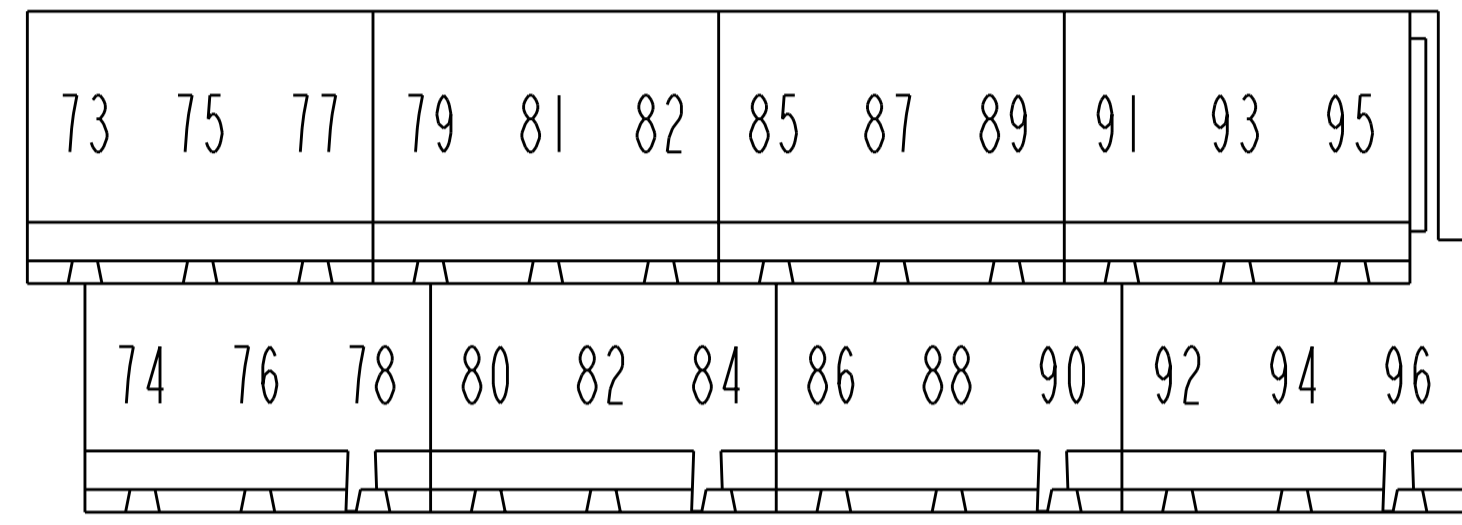
5
 DETAIL C
 SCALE 3:1



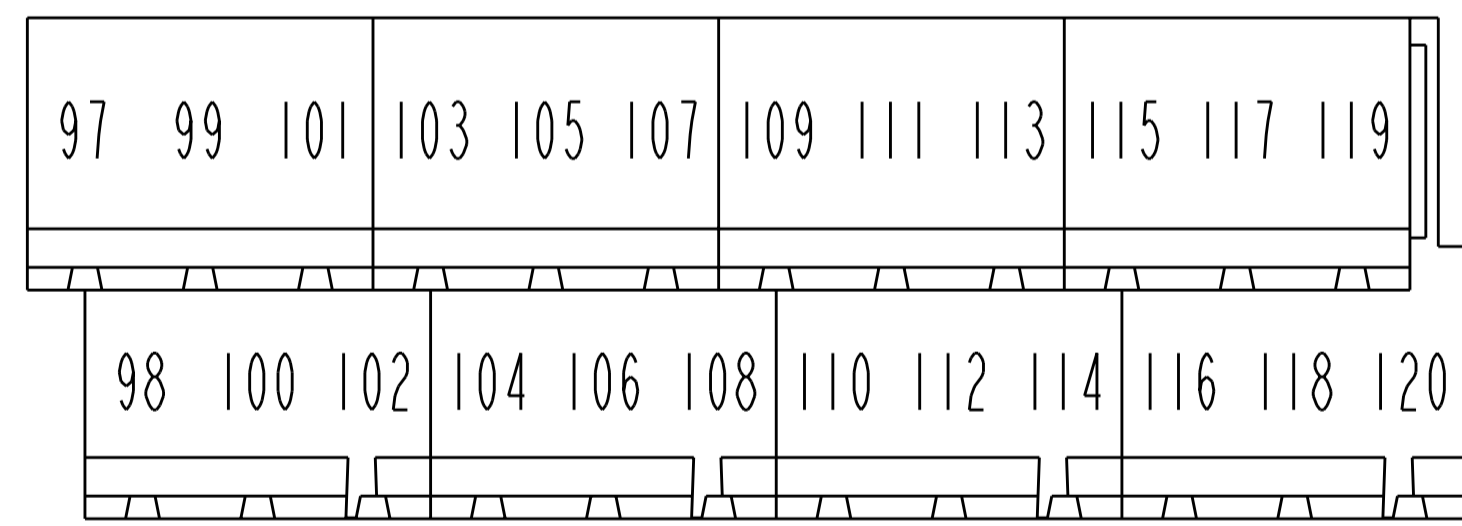
5
 DETAIL D
 SCALE 3:1



5
 DETAIL E
 SCALE 3:1



5
 DETAIL F
 SCALE 3:1



5
 DETAIL G
 SCALE 3:1

<small>THIS DRAWING IS A CONTROLLED DOCUMENT FOR TYCO ELECTRONICS CORPORATION IT IS SUBJECT TO CHANGE AND THE CONTROLLING ENGINEERING ORGANIZATION SHOULD BE CONTACTED FOR THE LATEST REVISION.</small>		DWN S. WELDON 03JUN2003 CHK C. RICHARD 03JUN2003 APVD C. RICHARD 03JUN2003	BUCHANAN Tyco Electronics Harrisburg, PA 17105-3608
DIMENSIONS: mm	TOLERANCES UNLESS OTHERWISE SPECIFIED: 0 PLC ±- 1 PLC ±.3 2 PLC ±.25 3 PLC ±- 4 PLC ±- ANGLES ±2 FINISH	PRODUCT SPEC APPLICATION SPEC WEIGHT CUSTOMER DRAWING	NAME TERMINAL BLOCK, MULTIPLE HEADER ASSEMBLY, 90 DEGREE STACKING W/INTERLOCK, 5.08mm PITCH SIZE A2 CAGE CODE 00779 DRAWING NO. C-284053 RESTRICTED TO SCALE 4:1 SHEET 2 OF 2 REV F1