

Tous droits strictement réservés. Reproduction ou communication à des tiers interdite sous quelque forme que ce soit sans autorisation écrite du propriétaire. Propriété de c FCI. Droits de reproduction FCI.

All rights strictly reserved. Reproduction or issue to third parties in any form whatever is not permitted without written authority from the proprietor. Property of FCI. Copyright FCI.

PRODUCT NUMBER

5 4 1 0 2 - X X X - X X - X X X X

PLATING  
 S=15μ"[0.38μm]GOLD ON CONTACT AREA  
 150μ"[3.81μm]TIN/LEAD ON TAIL  
 G=30μ"[0.76μm]GOLD ON CONTACT AREA  
 150μ"[3.81μm]TIN/LEAD ON TAIL  
 T=150μ"[3.81μm]TIN/LEAD ON CONTACT AREA AND ON TAIL  
 F=2μ"[0.05μm] GOLD ON CONTACT AREA AND ON TAIL

RETENTION  
 R= RETENTIVE LEG  
 NOTE 5 & 7

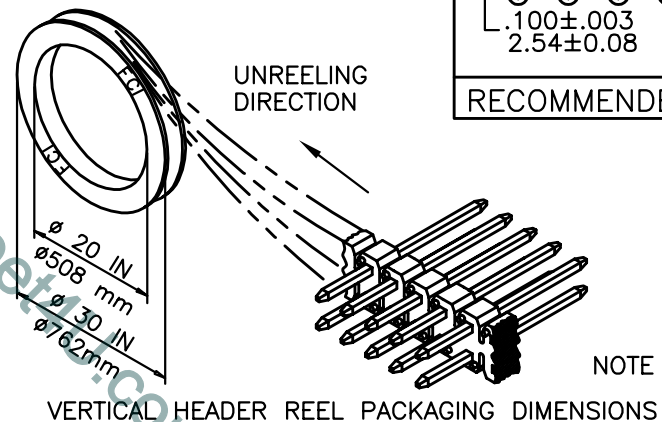
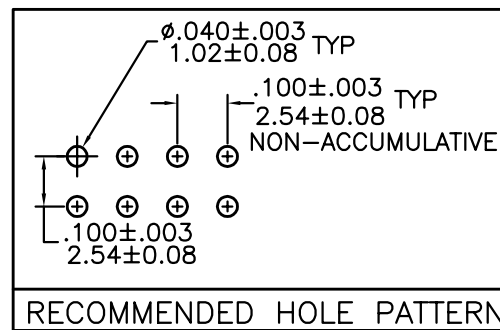
POLARIZATION  
 NOTE 7 & 8

POSITIONS PER ROW  
 01 TO 36 NOTE 10

POSITIONS PER REEL  
 00=45,000 (BERGSTRIK)  
 PIN STYLES 6, 8, 10, 30, 32 ONLY.

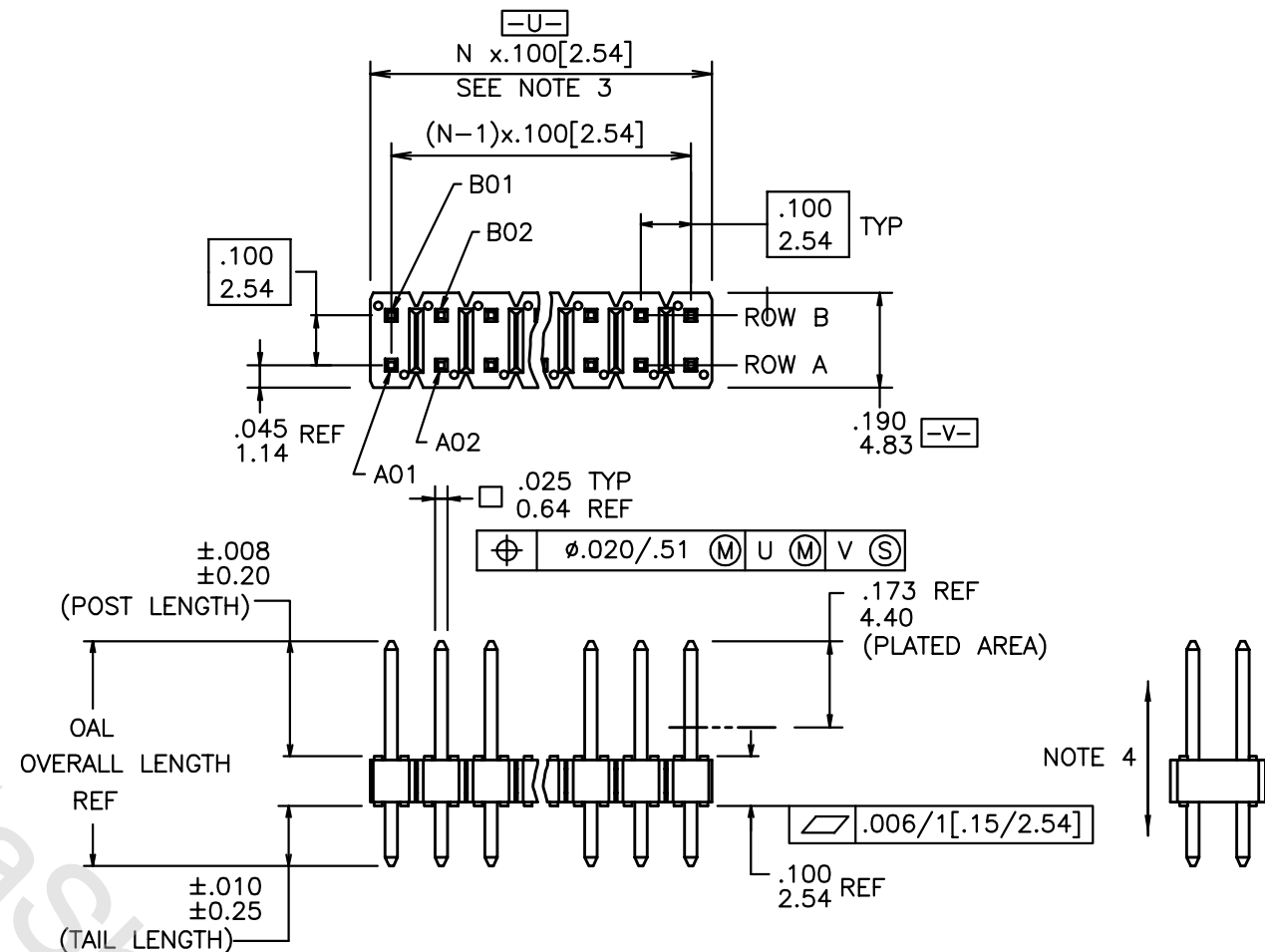
| PIN STYLE | POST        | TAIL        | OAL         |
|-----------|-------------|-------------|-------------|
| 05        | 0.230/5.84  | 0.095/2.41  | 0.425/10.80 |
| 06        | 0.230/5.84  | 0.110/2.79  | 0.440/11.18 |
| 08        | 0.230/5.84  | 0.120/3.05  | 0.450/11.43 |
| 10        | 0.230/5.84  | 0.150/3.81  | 0.480/12.19 |
| 12        | 0.230/5.84  | 0.300/7.62  | 0.630/16.00 |
| 14        | 0.230/5.84  | 0.400/10.16 | 0.730/18.54 |
| *16       | 0.230/5.84  | 0.500/12.70 | 0.830/21.08 |
| *18       | 0.230/5.84  | 0.600/15.24 | 0.930/23.62 |
| *20       | 0.230/5.84  | 0.700/17.78 | 1.030/26.16 |
| *22       | 0.230/5.84  | 0.800/20.32 | 1.130/28.70 |
| *24       | 0.230/5.84  | 0.900/22.86 | 1.230/31.24 |
| *26       | 0.230/5.84  | 1.000/25.40 | 1.330/33.78 |
| 30        | 0.318/8.08  | 0.120/3.05  | 0.538/13.67 |
| 32        | 0.318/8.08  | 0.150/3.81  | 0.568/14.43 |
| 34        | 0.318/8.08  | 0.212/5.38  | 0.630/16.00 |
| 36        | 0.318/8.08  | 0.312/7.92  | 0.730/18.54 |
| *38       | 0.318/8.08  | 0.712/18.08 | 1.130/28.70 |
| *40       | 0.318/8.08  | 0.912/23.16 | 1.330/33.78 |
| *42       | 0.520/13.21 | 0.110/2.79  | 0.730/18.54 |
| *44       | 0.620/15.75 | 0.110/2.79  | 0.830/21.08 |
| *46       | 0.720/18.28 | 0.110/2.79  | 0.930/23.62 |
| *48       | 0.820/20.83 | 0.110/2.79  | 1.030/26.16 |
| *50       | 1.020/25.91 | 0.110/2.79  | 1.230/31.24 |
| *52       | 0.380/9.65  | 0.150/3.81  | 0.630/16.00 |

\* CAN ONLY BE PRODUCED ON HAND TOOLS



NOTE 8

VERTICAL HEADER REEL PACKAGING DIMENSIONS



NOTES:

- BERGSTIK /BERGSTRIK HOUSING MAT'L: HIGH TEMPERATURE THERMOPLASTIC. UL94V-0 COLOR: BLACK
- PIN MATERIAL: PHOSPHOR-BRONZE
- TO DETERMINE DIMENSIONS:  
N = NUMBER OF POSITIONS PER ROW. EXAMPLE: 10 POS., N x .100[2.54]=1.00[25.40].
- 2LBS/0.9KG MIN. PIN RETENTION IN EITHER DIRECTION
- RETENTIVE LEG APPLICABLE TO TAIL LENGTH OF .120/3.05 ONLY. RETENTION IS APPLIED TO TWO PINS PER PART, ADJACENT TO ONE ANOTHER. 5LB/2.3KG MAX INSERTION FORCE AND .25LB/1KG MIN RETENTION FORCE PER RETENTIVE PIN USING .062/1.57 THICK CIRCUIT BOARD AND RECOMMENDED HOLE PATTERN. RETENTIVE LOCATION AT THE DISCRETION OF THE MANUFACTURER. OMIT FROM PRODUCT NUMBER IF FEATURE IS NOT APPLICABLE.
- BERGSTIK PACKAGED IN POLY BAGS. BERGSTRIK PACKAGED PER REEL.
- POLARIZATION AND RETENTION NOT APPLICABLE TO BERGSTRIK.
- FOR POLARIZATION SPECIFY POSITION NUMBER (i.e., A03=ROW A POS. 3) TO OMIT PIN. OMIT FROM PRODUCT NUMBER IF FEATURE IS NOT APPLICABLE.
- UNDERPLATING: 50μ"/1.27μm Ni.
- POSITIONS PER ROW 37 TO 50 CAN BE PRODUCED, BUT FLATNESS AND CURVATURE MAY NOT BE HELD TO PRINT SPECIFICATION.

| mat'l. code<br>SEE NOTES 1 & 2 |                |     |          | tolerances unless otherwise specified |                    | CUSTOMER COPY                        | FCI<br>www.fciconnect.com      |
|--------------------------------|----------------|-----|----------|---------------------------------------|--------------------|--------------------------------------|--------------------------------|
| ltr                            | ecn no         | dr  | date     | .XX                                   | ±.01/0.3           |                                      |                                |
| A                              | V92811         | DAI | 08/24/99 | linear                                | .XXX ±.005/0.13    |                                      |                                |
| B                              | V01833         | MDF | 07/19/00 | angles                                | .XXXX ±.0020/0.051 | product family BERGSTIK<br>size<br>A | code<br>213<br>sheet<br>1 of 1 |
| C                              | V01968         | MDF | 08/07/00 | dr                                    | 0° ±2°             |                                      |                                |
| D                              | V02373         | AZ  | 10/02/00 | enr                                   | D.INGRAM 05/16/99  | scale<br>1:1                         | 54102                          |
| E                              | V12228         | DAI | 09/17/01 | chr                                   | H.SUNDY 07/21/99   |                                      |                                |
| F                              | V20751         | GIP | 07/09/02 | appd                                  | H.SUNDY 07/21/99   |                                      |                                |
| sheet index                    | revision sheet | F   | 1        |                                       |                    |                                      |                                |

cage code  
22526

ACAD