

## Linear Systems replaces discontinued Siliconix SST5019

### The SST5019 is a single P-Channel JFET switch

This p-channel analog switch is designed to provide low on-resistance and fast switching.

The SOT-23 package provides ease of manufacturing, and a lower cost assembly option.

(See Packaging Information).

#### SST5019 Benefits:

- Low Insertion Loss
- No offset or error voltage generated by closed switch
- Purely resistive

#### SST5019 Applications:

- Analog Switches
- Commutators
- Choppers

#### FEATURES

DIRECT REPLACEMENT FOR SILICONIX SST5019	
ZERO OFFSET VOLTAGE	
LOW ON RESISTANCE	$r_{DS(on)} \leq 150\Omega$
<b>ABSOLUTE MAXIMUM RATINGS</b> @ 25°C (unless otherwise noted)	
<b>Maximum Temperatures</b>	
Storage Temperature	-55°C to +200°C
Operating Junction Temperature	-55°C to +200°C
<b>Maximum Power Dissipation</b>	
Continuous Power Dissipation	500mW
<b>MAXIMUM CURRENT</b>	
Gate Current (Note 1)	$I_G = -50\text{mA}$
<b>MAXIMUM VOLTAGES</b>	
Gate to Drain Voltage	$V_{GDS} = 30\text{V}$
Gate to Source Voltage	$V_{GSS} = 30\text{V}$

#### SST5019 ELECTRICAL CHARACTERISTICS @ 25°C (unless otherwise noted)

SYMBOL	CHARACTERISTIC	MIN	TYP.	MAX	UNITS	CONDITIONS
$BV_{GSS}$	Gate to Source Breakdown Voltage	30	--	--	V	$I_G = 1\mu\text{A}, V_{DS} = 0\text{V}$
$V_{GS(off)}$	Gate to Source Cutoff Voltage	--	--	5		$V_{DS} = -15\text{V}, I_D = -1\mu\text{A}$
$V_{DS(on)}$	Drain to Source On Voltage	--	--	-0.5		$V_{GS} = 0\text{V}, I_D = -3\text{mA}$
$I_{DSS}$	Drain to Source Saturation Current (Note 2)	-5	--	--	mA	$V_{DS} = -20\text{V}, V_{GS} = 0\text{V}$
$I_{GSS}$	Gate Reverse Current	--	--	2	nA	$V_{GS} = 15\text{V}, V_{DS} = 0\text{V}$
$I_{D(off)}$	Drain Cutoff Current	--	--	-10	$\mu\text{A}$	$V_{DS} = -15\text{V}, V_{GS} = 12\text{V}$
$I_{DGO}$	Drain Reverse Current	--	--	-2		$V_{DG} = -15\text{V}, I_S = 0\text{A}$
$r_{DS(on)}$	Drain to Source On Resistance	--	--	150	$\Omega$	$I_D = -1\text{mA}, V_{GS} = 0\text{V}$

#### SST5019 DYNAMIC ELECTRICAL CHARACTERISTICS @ 25°C (unless otherwise noted)

SYMBOL	CHARACTERISTIC	MIN	TYP.	MAX	UNITS	CONDITIONS
$r_{DS(on)}$	Drain to Source On Resistance	--	--	150	$\Omega$	$I_D = 0\text{A}, V_{GS} = 0\text{V}, f = 1\text{kHz}$
$C_{iss}$	Input Capacitance	--	--	45	pF	$V_{DS} = -15\text{V}, V_{GS} = 0\text{V}, f = 1\text{MHz}$
$C_{rss}$	Reverse Transfer Capacitance	--	--	10		$V_{DS} = 0\text{V}, V_{GS} = 7\text{V}, f = 1\text{MHz}$

#### SST5019 SWITCHING CHARACTERISTICS @ 25°C (unless otherwise noted)

SYMBOL	CHARACTERISTIC	MIN	TYP.	MAX	UNITS	CONDITIONS
$t_{d(on)}$	Turn On Time	15			ns	$V_{GS(L)} = 7\text{V}$ $V_{GS(H)} = 0\text{V}$  See Switching Circuit
$t_r$	Turn On Rise Time	75				
$t_{d(off)}$	Turn Off Time	25				
$t_f$	Turn Off Fall Time	100				

Note 1 - Absolute maximum ratings are limiting values above which SST5019 serviceability may be impaired.

Note 2 - Pulse test:  $PW \leq 300 \mu\text{s}$ , Duty Cycle  $\leq 3\%$

#### SST5019 SWITCHING CIRCUIT PARAMETERS

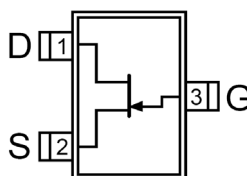
$V_{DD}$	-6V
$V_{GG}$	8V
$R_L$	1.8k $\Omega$
$R_G$	390 $\Omega$
$I_{D(on)}$	-3mA

Available Packages:

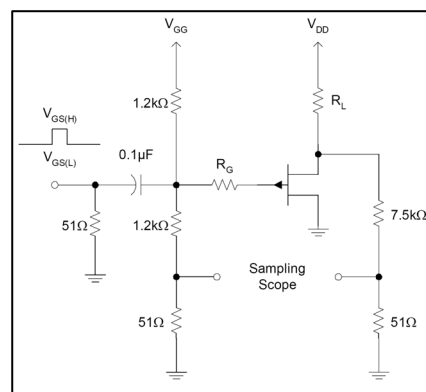
SST5019 in SOT-23  
SST5019 in bare die.

Please contact Micross for full package and die dimensions

SOT-23 (Top View)



#### SWITCHING TEST CIRCUIT



Micross Components Europe



Tel: +44 1603 788967  
Email: [chipcomponents@micross.com](mailto:chipcomponents@micross.com)  
Web: <http://www.micross.com/distribution>

Information furnished by Linear Integrated Systems and Micross Components is believed to be accurate and reliable. However, no responsibility is assumed for its use; nor for any infringement of patents or other rights of third parties which may result from its use. No license is granted by implication or otherwise under any patent or patent rights of Linear Integrated Systems.