



VB927T

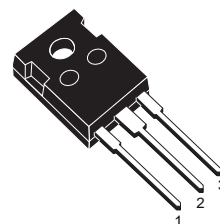
HIGH VOLTAGE IGNITION COIL DRIVER POWER I.C.

TYPE	V_{cl}	I_{cl}	$V_{cg(sat)}$
VB927T	380V	9.5A	2.5V

- NO EXTERNAL COMPONENT REQUIRED
- COIL CURRENT LIMIT INTERNALLY SET
- INTEGRATED HIGH VOLTAGE CLAMP
- HIGH RUGGEDNESS
- OVERTEMPERATURE PROTECTION

DESCRIPTION

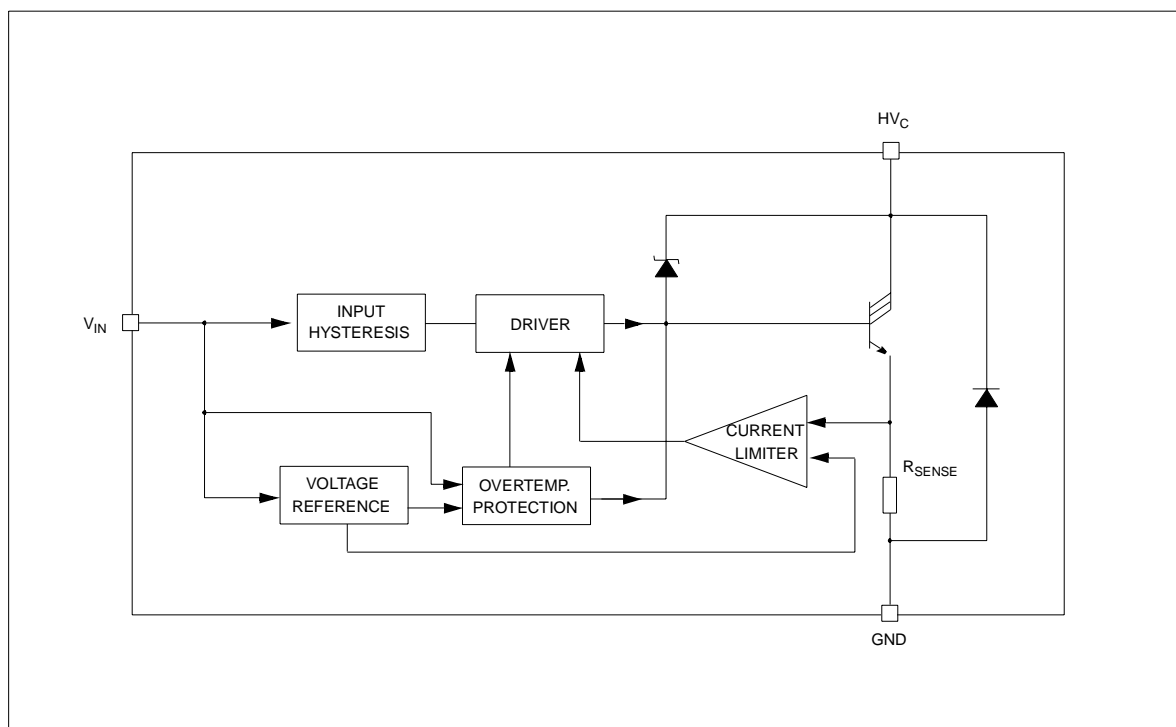
The VB927T is a monolithic high voltage integrated circuit made by using the STMicroelectronics VIPower™ technology, which combines vertical current flow power trilinton with a coil current and a collector voltage clamping. The device is particularly suitable for application in high performance electronic car ignition, where coil current limitation and voltage clamping are required.



TO-247

ORDER CODES		
PACKAGE	TUBE	T&R
TO-247	VB927T	-

BLOCK DIAGRAM

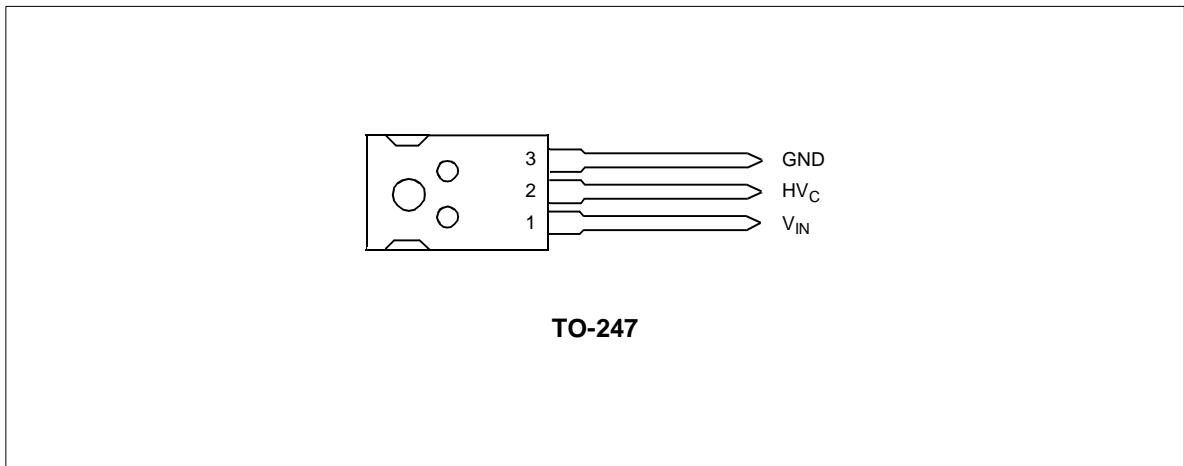


VB927T

ABSOLUTE MAXIMUM RATING

Symbol	Parameter	Value	Unit
HV_C	Collector Voltage	Internally limited	V
V_{IN}	Maximum Input Voltage	15	V
I_C	Collector Current	Internally limited	A
I_{IN}	Input Current	Internally limited	mA
P_{tot}	Total Dissipation At $T_C=25^\circ\text{C}$	150	W
T_{stg}	Storage Temperature	-40 to 150	$^\circ\text{C}$
T_j	Junction Operating Temperature	-40 to 150	$^\circ\text{C}$

CONNECTION DIAGRAM



THERMAL DATA

Symbol	Parameter	Value	Unit
$R_{thj-case}$	Thermal Resistance Junction-case (MAX)	0.6	°C/W
$R_{thj-amb}$	Thermal Resistance Junction-ambient (MAX)	30	°C/W

ELECTRICAL CHARACTERISTICS ($V_{CC}=14V$; $-40V < T_j < 125^\circ C$ unless otherwise specified)

Symbol	Parameter	Test Conditions	Min	Typ	Max	Unit
I_{leak}	Collector Cut-off Current	$V_{IN}=0V$; $HV_C=250V$			250	μA
$V_{cl} (*)$	Clamping Voltage	$-40^\circ C < T_j < 125^\circ C$	380	420	490	V
$V_{cg(sat)}$	Power Stage Saturation Voltage	$I_C=5A$; $I_{IN}=10mA$; $25^\circ C \leq T_j \leq 125^\circ C$			2.5	V
		$I_C=6A$; $I_{IN}=10mA$; $-40^\circ C \leq T_j \leq 25^\circ C$			3	V
$I_{cl} (*)$	Coil Current Limit	$V_{IN}=5V$; $-40^\circ C \leq T_j \leq 125^\circ C$	8.5		9.5	A
I_{IN}	Input Current	$V_{IN}=5V$; $I_C=5A$			10	mA
		$V_{IN}=5V$; $I_C=5A$; $T_j=25^\circ C$	3		10	mA
$V_f (**)$	Diode Forward Voltage	$I_f=10A$; $T_j=25^\circ C$	1.2	2.2	3.2	V
V_{INH}	Input Voltage (ON)	On state input threshold	3.2		3.6	V
V_{INL}	Input Voltage (OFF)	Off state input threshold	3		3.4	V
$V_{IN(hyst)}$	Input Voltage (Hyst.)		0.2		0.6	V
$t_{d(off)}$	Turn-off Time	$I_C=5A$		30		μs
T_j	Junction Temperature Limit	See note 1	150			°C

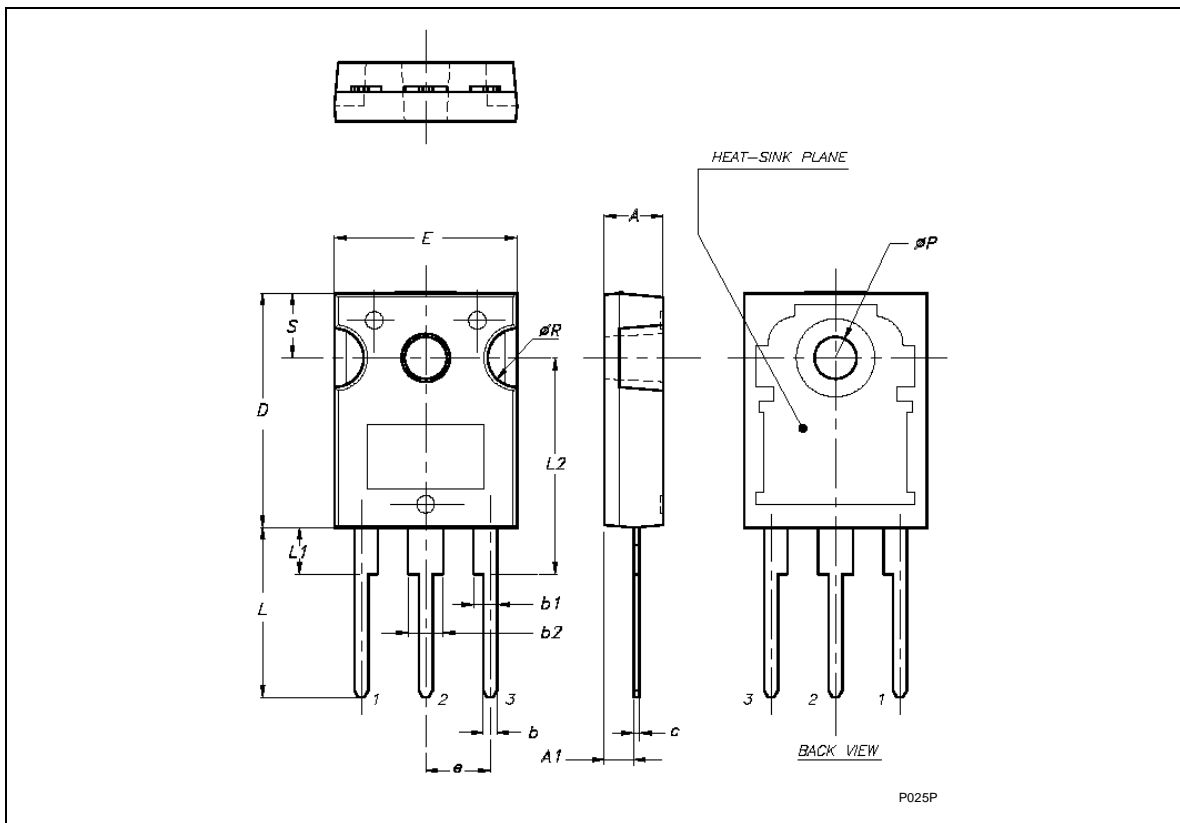
(*) Coil data: primary resistance $R_C=0.4 - 0.8\Omega$; primary inductance $L_C=6 - 8 mH$

(**) Pulsed: Pulse duration =300 μs , duty cycle 1.5%

Note 1: $T_{jmin}=150^\circ C$ means that the behavior of the device will not be affected for junction temperature lower than 150°C. For higher temperature, the thermal protection circuit will begin its action reducing the I_{cl} limit according with the power dissipation. Chip temperature is a function of the R_{th} of the whole system in which the device will be operating.

TO-247 MECHANICAL DATA

DIM.	mm.		
	MIN.	TYP	MAX.
A	4.85		5.15
A1	2.20		2.60
b	1.0		1.40
b1	2.0		2.40
b2	3.0		3.40
c	0.40		0.80
D	19.85		20.15
E	15.45		15.75
e		5.45	
L	14.20		14.80
L1	3.70		4.30
L2		18.50	
ØP	3.55		3.65
ØR	4.50		5.50
S		5.50	
Package Weight	Gr. 4.43		



Information furnished is believed to be accurate and reliable. However, STMicroelectronics assumes no responsibility for the consequences of use of such information nor for any infringement of patents or other rights of third parties which may result from its use. No license is granted by implication or otherwise under any patent or patent rights of STMicroelectronics. Specifications mentioned in this publication are subject to change without notice. This publication supersedes and replaces all information previously supplied. STMicroelectronics products are not authorized for use as critical components in life support devices or systems without express written approval of STMicroelectronics.
The ST logo is a trademark of STMicroelectronics

© 2003 STMicroelectronics - Printed in ITALY- All Rights Reserved.

STMicroelectronics GROUP OF COMPANIES

Australia - Brazil - Canada - China - Finland - France - Germany - Hong Kong - India - Israel - Italy - Japan - Malaysia -
Malta - Morocco - Singapore - Spain - Sweden - Switzerland - United Kingdom - U.S.A.

<http://www.st.com>