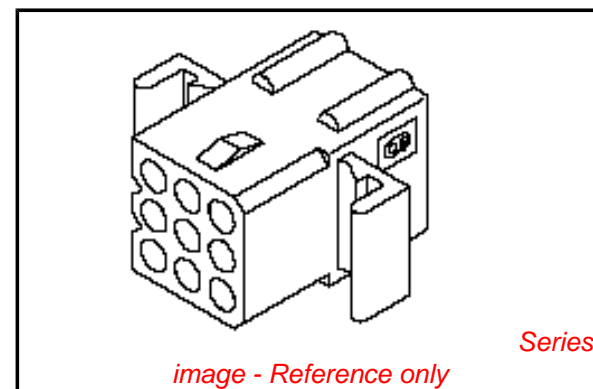


PLEASE CHECK WWW.MOLEX.COM FOR LATEST PART INFORMATION

Part Number: [0050361871](#)
Status: **Active**
Overview: [standard_062](#)
Description: 1.57mm (.062") Diameter Standard .062" Pin and Socket Receptacle Housing, 9 Circuits, With Pre-bent Mounting Ears

Documents:

3D Model	Product Specification PS-02-06 (PDF)
Drawing (PDF)	RoHS Certificate of Compliance (PDF)
Packaging Specification (PDF)	



Agency Certification

CSA	LR19980
TUV	R72081037
UL	E29179

General

Product Family	Crimp Housings
Series	1625
Comments	Glow Wire Equivalent Part Number 50362281 . Polarized to Mating Part
MolexKits	Yes
Overview	standard_062
Product Name	Standard .062"

Physical

Breakaway	No
Circuits (maximum)	9
Circuits Detail	3x3
Color - Resin	Natural
Flammability	94V-2
Gender	Receptacle
Glow-Wire Compliant	No
Keying to Mating Part	None
Lock to Mating Part	Yes
Material - Resin	Nylon
Number of Rows	3
Packaging Type	Bag
Panel Mount	Yes
Pitch - Mating Interface (in)	0.145 In
Pitch - Mating Interface (mm)	3.68 mm
Pitch - Term. Interface (in)	0.145 In
Pitch - Term. Interface (mm)	3.96 mm
Polarized to Mating Part	Yes
Ports	1
Stackable	No
Temperature Range - Operating	-40°C to +105°C

Electrical

Current - Maximum per Contact	5A
-------------------------------	----

Material Info

Old Part Number	1625-9R4
-----------------	----------

Reference - Drawing Numbers

Packaging Specification	PK-1625-001
Product Specification	PS-02-06

EU RoHS ELV and RoHS Compliant REACH SVHC Contains SVHC: No Halogen-Free Status Not Reviewed	China RoHS 
---	--

Need more information on product environmental compliance?
 Email productcompliance@molex.com
 For a multiple part number RoHS Certificate of Compliance, [click here](#)

Please visit the [Contact Us](#) section for any non-product compliance questions.

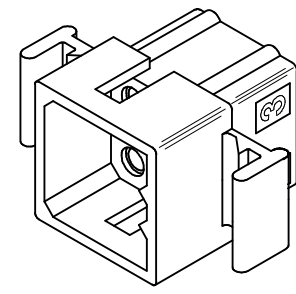
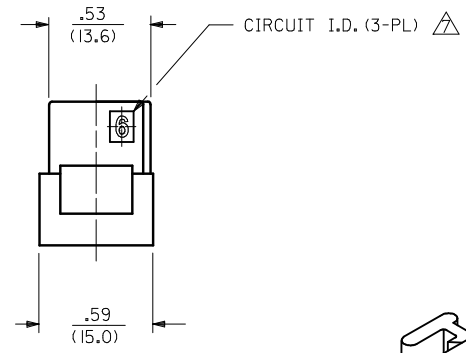
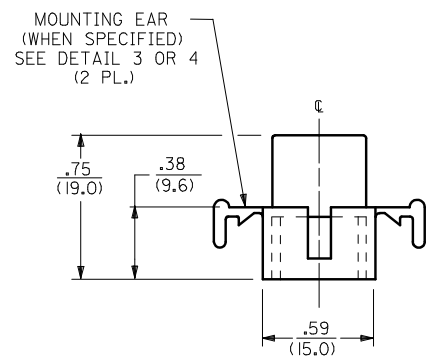
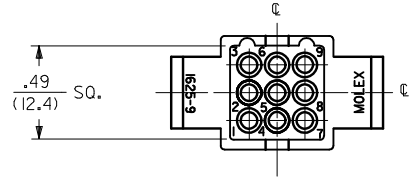
Search Parts in this Series
[1625Series](#)

Mates With
[1625 Plug](#)

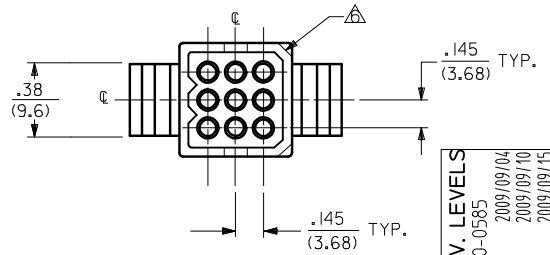
Use With
 Female Crimp Terminals [1561](#)[Link:4559](#), [4529](#), [2190](#), [2189](#), [1787](#), [1855](#). Male Crimp Terminals [1560](#), [1786](#), [1854](#), [1778](#). Male PC Tail Terminals. [1779](#) Female PC Tail Terminals

This document was generated on 06/08/2010

PLEASE CHECK WWW.MOLEX.COM FOR LATEST PART INFORMATION

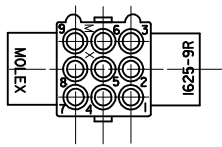


PLUG

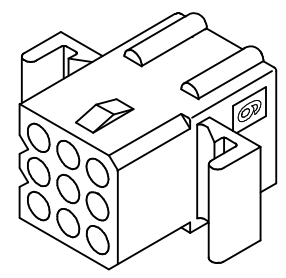
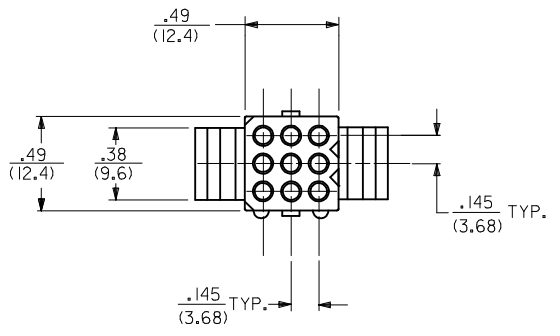
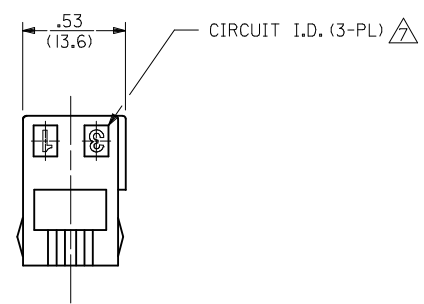
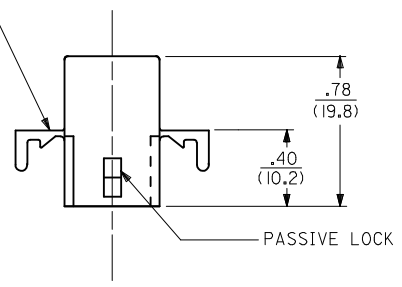
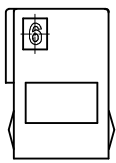


3	S
2	S
1	S
SHT. REV.	

UPDATE REV. LEVELS EC NO: UCP2010-0585 DRWN: RBENES 2009/09/04 CHKD: JELL 2009/09/10 APPR: FSMITH 2009/09/15	QUALITY SYMBOLS ▽=0 ▽=0	GENERAL TOLERANCES (UNLESS SPECIFIED)		DIMENSION STYLE IN/MM	SCALE 1:1	DESIGN UNITS INCH	THIRD ANGLE PROJECTION	
		4 PLACES ± --- ± ---	mm INCH	DRAWN BY JJS	DATE 1988/02/05	TITLE .062/(1.57) HOUSINGS PLUG & RECEPTACLE 9 CKT., .145/(3.68) CTRS		
		3 PLACES ± --- ± .010	± .010 ± .014	CHECKED BY RW	DATE 1988/02/05	MOLEX MOLEX INCORPORATED		
		2 PLACES ± 0.25 ± .014	± .014 ± ---	APPROVED BY RAS	DATE 1988/02/05	MATERIAL NO. SEE CHART	DOCUMENT NO. SD-1625-9*	SHEET NO. 1 OF 3
1 PLACE ± 0.36 ± ---	± ---	ANGULAR ± 1/2°		THIS DRAWING CONTAINS INFORMATION THAT IS PROPRIETARY TO MOLEX INCORPORATED AND SHOULD NOT BE USED WITHOUT WRITTEN PERMISSION				
DRAFT WHERE APPLICABLE MUST REMAIN WITHIN DIMENSIONS								



OPTIONAL MOUNTING EARS
SEE DETAIL 3 OR 4
FOR VERSIONS AVAILABLE



RECEPTACLE

UPDATE REV. LEVEL EC NO: UCP2010-0585 DRWN:TBENES 2009/09/04 CHKD: 2009/09/10 APPR:FSMLTH 2009/09/15	QUALITY SYMBOLS ▽=0 ▽=0	GENERAL TOLERANCES (UNLESS SPECIFIED)		DIMENSION STYLE	SCALE	DESIGN UNITS	THIRD ANGLE PROJECTION	
				IN/MM	1:1	INCH		
				DRAWN BY	DATE	TITLE		
				CHECKED BY	DATE	.062/(1.57) HOUSINGS, PLUG AND RECEPTACLE, 9 CKT., .145/(3.68) CTRS		
				APPROVED BY	DATE	MOLEX MOLEX INCORPORATED		
REV	DESCRIPTION	ANGULAR ±1/2°		MATERIAL NO.	DOCUMENT NO.	SHEET NO.		
5		DRAFT WHERE APPLICABLE MUST REMAIN WITHIN DIMENSIONS		SEE CHART		SD-1625-9*	2 OF 3	
		SIZE		THIS DRAWING CONTAINS INFORMATION THAT IS PROPRIETARY TO MOLEX INCORPORATED AND SHOULD NOT BE USED WITHOUT WRITTEN PERMISSION				

PLUG	
PART NO.	ENG. NO.
03-06-2091	1625-9P
03-06-2092	1625-9P1
23-06-2091	1625-9P-C
23-06-2092	1625-9P1-C
04-06-6091	1625-9P1-B
03-06-7091	1625-9PBK
03-06-7092	1625-9PIBK
	OBSOLETE

RECEPTACLE	
PART NO.	ENG. NO.
03-06-1091	1625-9R
03-06-1092	1625-9R1
23-06-1091	1625-9R-C
23-06-1092	1625-9R1-C
03-06-6091	1625-9RBK
03-06-6092	1625-9RIBK
50-36-1871	1625-9R4
50-36-1872	1625-9R4-C

LEGEND:

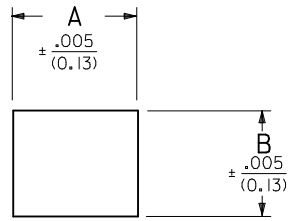
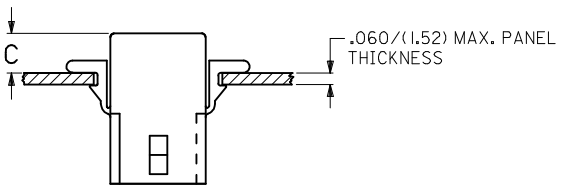
1625-****-*

CIRCUIT SIZE
P = PLUG
R = RECEPTACLE

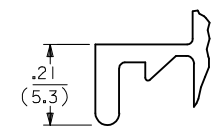
MOUNTING EAR & DETENT COMBINATIONS:
BLANK=PLUG OR RECEPTACLE WITH STANDARD EARS
1=PLUG OR RECEPTACLE WITHOUT EARS
4=PLUG OR RECEPTACLE WITH PREBENT EARS

BLANK = NATURAL COLOR
AM = AMBER BK = BLACK BU = BLUE
BN = BROWN GY = GRAY GN = GREEN
OR = ORANGE RD = RED YW = YELLOW

MATERIAL: A=MATERIAL CODE A
B=MATERIAL CODE B
C=MATERIAL CODE C



RECEP.	.650 (16.51)	.552 (14.02)	.21 (5.3)	.22 (5.6)
PLUG	.752 (19.10)	.615 (15.62)	.20 (5.1)	.21 (5.3)
PART	DIM. A	DIM. B	DIM. C (STANDARD EAR)	DIM. C (PREBENT EAR)

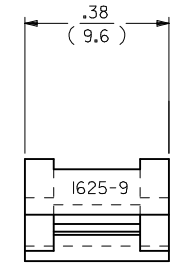


DETAIL 3
STANDARD MOUNTING EAR
(SCALE 4:1)

RECOMMENDED HOLE PATTERN

NOTES:

- MATERIAL CODES:
A-NYLON TYPE 6/6, 94V-2
B-NYLON TYPE 6/6, 94V-0
C-POLYPROPYLENE, 94V-0
 - FINISH: NONE
 - PRODUCT SPECIFICATION: PS-02-06
 - PACKAGING SPECIFICATION: PK-1625-001
 - HOUSINGS OF USE WITH MOLEX .062 DIAMETER TERMINALS.
- △ SOME PARTS MAY HAVE THIS CORNER CHAMFERED.
- △ ETCHED CIRCUIT I.D. NUMBERS ON HOUSING MAY OR MAY NOT BE PRESENT.
- PARTS CONFORM TO CLASS B REQUIREMENTS OF COSMETIC SPECIFICATION PS-45499-002.



DETAIL 4
PREBENT MOUNTING EAR
(SCALE 4:1)

RE-INSTATE 1625-9R EC NO: UCP2010-0585 DRWN:RBENES 2009/09/04 CHKD:JBELL 2009/09/10 APPR:FSMITH 2009/09/15	QUALITY SYMBOLS ▽=0 ▽=0	GENERAL TOLERANCES (UNLESS SPECIFIED)		DIMENSION STYLE IN/MM	SCALE 1:1	DESIGN UNITS INCH	THIRD ANGLE PROJECTION		
		4 PLACES ± --- ± --- 3 PLACES ± --- ± .010 2 PLACES ± 0.25 ± .014 1 PLACE ± 0.36 ± ---	mm INCH ± --- ± --- ± .010 ± .014 ± --- ± ---	DRAWN BY JJS DATE 1988/02/12	DATE 1988/02/12	TITLE .062/(1.57) HOUSINGS, PLUG AND RECEPTACLE, 9 CKT., .145/(3.68) CTRS			
		ANGULAR ± 1 °		CHECKED BY RW DATE 1988/02/12	APPROVED BY RAS DATE 1988/02/12	MOLEX INCORPORATED			
		DRAFT WHERE APPLICABLE MUST REMAIN WITHIN DIMENSIONS		MATERIAL NO. SEE CHART	DATE 1988/02/12	DOCUMENT NO. SD-1625-9*	SHEET NO. 3 OF 3	THIS DRAWING CONTAINS INFORMATION THAT IS PROPRIETARY TO MOLEX INCORPORATED AND SHOULD NOT BE USED WITHOUT WRITTEN PERMISSION	