

PLEASE CHECK WWW.MOLEX.COM FOR LATEST PART INFORMATION

Part Number: [0781191398](#)
Status: **Active**
Overview: ffc fpc smt
Description: 0.50mm (.020") Pitch FFC/FPC Connector, SMT, Non ZIF, Vertical, Gold Plating, 39 Circuits, Lead Free

Documents:

[3D Model](#) [Product Specification PS-78119-001 \(PDF\)](#)
[Drawing \(PDF\)](#) [RoHS Certificate of Compliance \(PDF\)](#)

Agency Certification

CSA LR19980
 UL E29179

General

Product Family FFC/FPC Connectors
 Series [78119](#)
 Overview [ffc fpc smt](#)
 Product Name N/A

Physical

Circuits (Loaded) 39
 Color - Resin Natural
 Contact Position N/A
 Durability (mating cycles max) 20
 Entry Angle Vertical
 Flammability 94V-0
 Mated Height (in) 0.161 In
 Mated Height (mm) 4.10 mm
 Material - Metal Copper Alloy
 Material - Plating Mating Gold, Nickel
 Number of Rows 1
 Orientation Vertical
 PCB Locator No
 PCB Retention None
 Packaging Type Embossed Tape on Reel
 Pitch - Mating Interface (in) 0.020 In
 Pitch - Mating Interface (mm) 0.50 mm
 Pitch - Term. Interface (in) 0.020 In
 Pitch - Term. Interface (mm) 0.50 mm
 Polarized to PCB No
 Stackable No
 Temperature Range - Operating -40°C to +85°C
 Termination Interface: Style Surface Mount
 Wire/Cable Type FFC/FPC

Electrical

Current - Maximum per Contact 0.5A
 Voltage - Maximum 50V AC

Material Info

Reference - Drawing Numbers

Package Specification SPK-78119-001
 Product Specification PS-78119-001
 Sales Drawing SD-78119-001



EU RoHS

**ELV and RoHS
 Compliant**
**REACH SVHC
 Contains SVHC: No**
**Halogen-Free
 Status
 Not Reviewed**

China RoHS



**Need more information on product
 environmental compliance?**

Email productcompliance@molex.com
 For a multiple part number RoHS Certificate of
 Compliance, [click here](#)

Please visit the [Contact Us](#) section for any
 non-product compliance questions.

Search Parts in this Series

[78119Series](#)

Mates With

[Standard FFC/FPC Cables](#)

This document was generated on 06/07/2010

PLEASE CHECK WWW.MOLEX.COM FOR LATEST PART INFORMATION

10 9 8 7 6 5 4 3 2 1

F

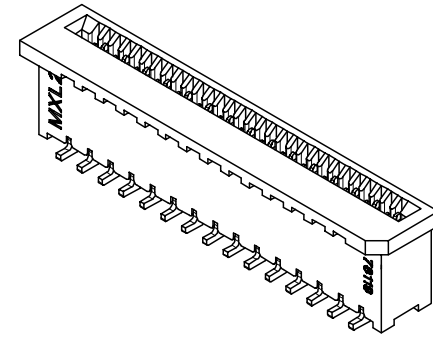
E

D

C

B

A



F

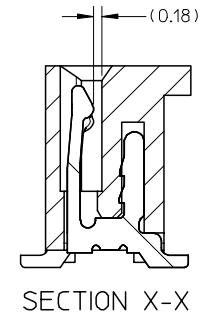
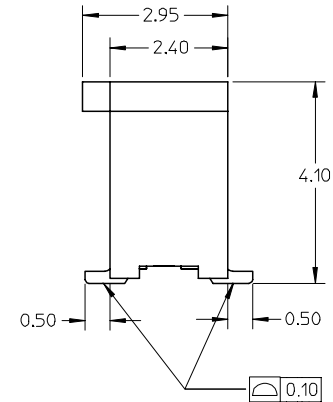
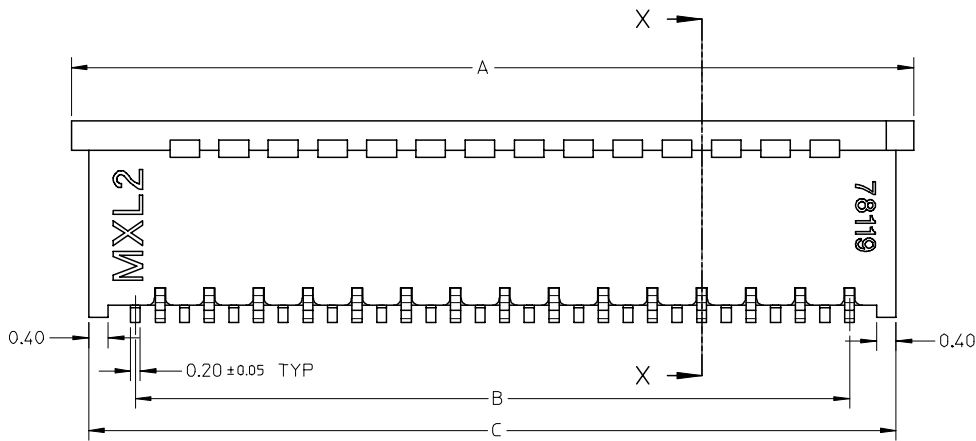
E

D

C

B

A



NOTE:

1. MATERIAL:
HOUSING: PA46 GLASS FILLED, UL94V-0, COLOR: NATURAL
TERMINAL: COPPER ALLOY
2. PLATING: 1) 0.10 μm MIN. GOLD PLATING OVER NICKEL PLATING OVERALL
2) 1-3 μm TIN-BISMUTH OVER NICKEL PLATING OVERALL
3. PRODUCT SPECIFICATION: PS-78119-001
4. PRODUCT ARE PACKED IN TAPE & REEL.

| | |
|-------------------|-------------|
| REVISED | DESCRIPTION |
| EC NO: S2007-0721 | 2007/03/05 |
| DRWN: BOKOK | 2007/03/05 |
| CHKD: CGOH | 2007/03/05 |
| APPR: KCLING | 2007/03/05 |
| A2 | REV |

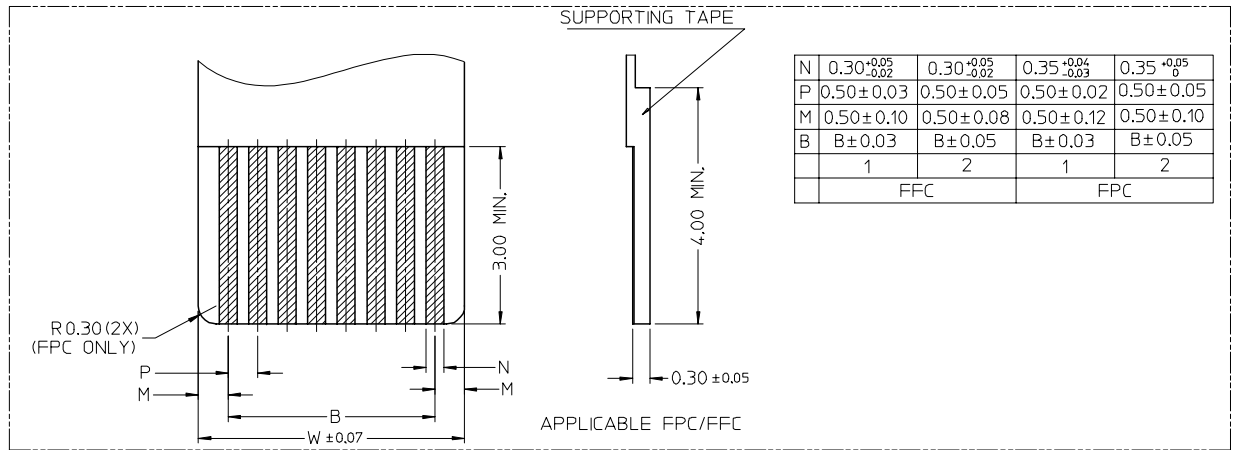
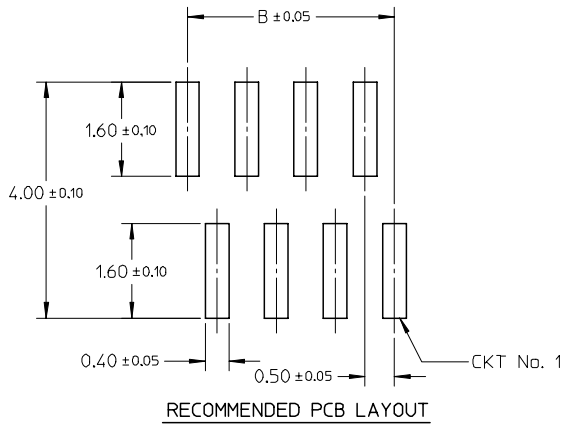
| |
|-----------------|
| QUALITY SYMBOLS |
| ▽=0 |
| ∇=0 |

| | |
|--|--------|
| GENERAL TOLERANCES (UNLESS SPECIFIED) | |
| | mm |
| 4 PLACES | ± --- |
| 3 PLACES | ± --- |
| 2 PLACES | ± 0.15 |
| 1 PLACE | ± --- |
| ANGULAR ± 3° | |
| DRAFT WHERE APPLICABLE MUST REMAIN WITHIN DIMENSIONS | |

| | |
|-----------------|------------|
| DIMENSION STYLE | |
| MM ONLY | |
| DRAWN BY | DATE |
| YLQ1A0 | 2006/04/11 |
| CHECKED BY | DATE |
| BOKOK | 2006/04/18 |
| APPROVED BY | DATE |
| PTL IM | 2006/04/18 |
| MATERIAL NO. | |
| SEE TABLE | |
| SIZE | A3 |

| | | |
|--------------------------------------|--------------|------------------------|
| SCALE | DESIGN UNITS | THIRD ANGLE PROJECTION |
| NTS | METRIC | |
| TITLE | | |
| 0.50MM PITCH, FPC CONN. NON-ZIF, SMT | | |
| MOLEX INCORPORATED | | |
| DOCUMENT NO. | SHEET NO. | |
| SD-78119-001 | 1 OF 7 | |

9 8 7 6 5 4 3 2 1



| | | | | | | | | | | | |
|---|--|-------------------------------|---------------------------------------|--|----------------------------|----------------------|--------------------|--|------------------------------|---------------------|--|
| REVISED EC NO: S2007-0721 DRWN: BOKOK CHKD: CGOH APPR: KCLING | 2007/03/05 2007/03/05 2007/03/05 | QUALITY SYMBOLS ▽=0 ▽=0 | GENERAL TOLERANCES (UNLESS SPECIFIED) | | DIMENSION STYLE MM ONLY | | SCALE NTS | DESIGN UNITS METRIC | THIRD ANGLE PROJECTION | | |
| | | | | 4 PLACES ± --- ± --- 3 PLACES ± --- ± --- 2 PLACES ± 0.15 ± --- 1 PLACE ± --- ± --- | mm INCH | DRAWN BY YLQ1A0 | DATE 2006/04/11 | TITLE 0.50MM PITCH, FPC CONN. NON-ZIF, SMT | | | |
| | | | | ANGULAR ± 3 ° | | CHECKED BY BOKOK | DATE 2006/04/18 | MOLEX INCORPORATED | | | |
| | | | | DRAFT WHERE APPLICABLE MUST REMAIN WITHIN DIMENSIONS | | APPROVED BY PTLIM | DATE 2006/04/18 | MATERIAL NO. SEE TABLE | DOCUMENT NO. SD-78119-001 | SHEET NO. 2 OF 7 | |

GOLD PLATING TERMINAL ASSEMBLY PART NUMBERS

| ASSY P/N W/O PACKAGING | CKT | DIM A | DIM B | DIM C | DIM D | PLATING TYPE |
|---------------------------|-----|-------|-------|-------|-------|-----------------|
| 78119-0068 | 6 | 5.10 | 2.50 | 4.40 | 3.60 | 1 |
| 78119-0078 | 7 | 5.60 | 3.00 | 4.90 | 4.10 | |
| 78119-0088 | 8 | 6.10 | 3.50 | 5.40 | 4.60 | |
| 78119-0098 | 9 | 6.60 | 4.00 | 5.90 | 5.10 | |
| 78119-0108 | 10 | 7.10 | 4.50 | 6.40 | 5.60 | |
| 78119-0118 | 11 | 7.60 | 5.00 | 6.90 | 6.10 | |
| 78119-0128 | 12 | 8.10 | 5.50 | 7.40 | 6.60 | |
| 78119-0138 | 13 | 8.60 | 6.00 | 7.90 | 7.10 | |
| 78119-0148 | 14 | 9.10 | 6.50 | 8.40 | 7.60 | |
| 78119-0158 | 15 | 9.60 | 7.00 | 8.90 | 8.10 | |
| 78119-0168 | 16 | 10.10 | 7.50 | 9.40 | 8.60 | |
| 78119-0178 | 17 | 10.60 | 8.00 | 9.90 | 9.10 | |
| 78119-0188 | 18 | 11.10 | 8.50 | 10.40 | 9.60 | |
| 78119-0198 | 19 | 11.60 | 9.00 | 10.90 | 10.10 | |
| 78119-0208 | 20 | 12.10 | 9.50 | 11.40 | 10.60 | |
| 78119-0218 | 21 | 12.60 | 10.00 | 11.90 | 11.10 | |
| 78119-0228 | 22 | 13.10 | 10.50 | 12.40 | 11.60 | |
| 78119-0238 | 23 | 13.60 | 11.00 | 12.90 | 12.10 | |
| 78119-0248 | 24 | 14.10 | 11.50 | 13.40 | 12.60 | |
| 78119-0258 | 25 | 14.60 | 12.00 | 13.90 | 13.10 | |
| 78119-0268 | 26 | 15.10 | 12.50 | 14.40 | 13.60 | |
| 78119-0278 | 27 | 15.60 | 13.00 | 14.90 | 14.10 | |
| 78119-0288 | 28 | 16.10 | 13.50 | 15.40 | 14.60 | |
| 78119-0298 | 29 | 16.60 | 14.00 | 15.90 | 15.10 | |
| 78119-0308 | 30 | 17.10 | 14.50 | 16.40 | 15.60 | |

| ASSY P/N W/O PACKAGING | CKT | DIM A | DIM B | DIM C | DIM D | PLATING TYPE |
|---------------------------|-----|-------|-------|-------|-------|-----------------|
| 78119-0318 | 31 | 17.60 | 15.00 | 16.90 | 16.10 | 1 |
| 78119-0328 | 32 | 18.10 | 15.50 | 17.40 | 16.60 | |
| 78119-0338 | 33 | 18.60 | 16.00 | 17.90 | 17.10 | |
| 78119-0348 | 34 | 19.10 | 16.50 | 18.40 | 17.60 | |
| 78119-0358 | 35 | 19.60 | 17.00 | 18.90 | 18.10 | |
| 78119-0368 | 36 | 20.10 | 17.50 | 19.40 | 18.60 | |
| 78119-0378 | 37 | 20.60 | 18.00 | 19.90 | 19.10 | |
| 78119-0388 | 38 | 21.10 | 18.50 | 20.40 | 19.60 | |
| 78119-0398 | 39 | 21.60 | 19.00 | 20.90 | 20.10 | |
| 78119-0408 | 40 | 22.10 | 19.50 | 21.40 | 20.60 | |
| 78119-0418 | 41 | 22.60 | 20.00 | 21.90 | 21.10 | |
| 78119-0428 | 42 | 23.10 | 20.50 | 22.40 | 21.60 | |

| | | | | | | | | | |
|---|----------------------------------|--|------------------------------|----------------------------|--------------------|--|------------------------|---------------------------|--|
| REVISED EC NO: S2007-0721 DRWN: BOKOK CHKD: CGOH APPR: KCLING 2007/03/05 2007/03/05 2007/03/05 | QUALITY SYMBOLS ▽=0 ▽=0 | GENERAL TOLERANCES (UNLESS SPECIFIED) | | DIMENSION STYLE MM ONLY | | SCALE NTS | DESIGN UNITS METRIC | THIRD ANGLE PROJECTION | |
| | | 4 PLACES ± --- ± --- | 5 PLACES ± --- ± --- | DRAWN BY YLQ1A0 | DATE 2006/04/11 | TITLE 0.50MM PITCH, FPC CONN. NON-ZIF, SMT | | | |
| | | 3 PLACES ± --- ± --- | 2 PLACES ± 0.15 ± --- | CHECKED BY BOKOK | DATE 2006/04/18 | | | | |
| | | 1 PLACE ± --- ± --- | ANGULAR ± 3 ° | APPROVED BY PTLIM | DATE 2006/04/18 | MOLEX INCORPORATED | | | |
| DRAFT WHERE APPLICABLE MUST REMAIN WITHIN DIMENSIONS | SIZE A3 | MATERIAL NO. SEE TABLE | DOCUMENT NO. SD-78119-001 | SHEET NO. 3 OF 7 | | THIS DRAWING CONTAINS INFORMATION THAT IS PROPRIETARY TO MOLEX INCORPORATED AND SHOULD NOT BE USED WITHOUT WRITTEN PERMISSION | | | |

10 9 8 7 6 5 4 3 2 1

F

F

TIN-BISMUTH PLATING TERMINAL ASSEMBLY PART NUMBERS

E

E

| ASSY P/N W/O PACKAGING | CKT | DIM A | DIM B | DIM C | DIM D | PLATING TYPE |
|---------------------------|-----|-------|-------|-------|-------|-----------------|
| 78119-0069 | 6 | 5.10 | 2.50 | 4.40 | 3.60 | 2 |
| 78119-0079 | 7 | 5.60 | 3.00 | 4.90 | 4.10 | |
| 78119-0089 | 8 | 6.10 | 3.50 | 5.40 | 4.60 | |
| 78119-0099 | 9 | 6.60 | 4.00 | 5.90 | 5.10 | |
| 78119-0109 | 10 | 7.10 | 4.50 | 6.40 | 5.60 | |
| 78119-0119 | 11 | 7.60 | 5.00 | 6.90 | 6.10 | |
| 78119-0129 | 12 | 8.10 | 5.50 | 7.40 | 6.60 | |
| 78119-0139 | 13 | 8.60 | 6.00 | 7.90 | 7.10 | |
| 78119-0149 | 14 | 9.10 | 6.50 | 8.40 | 7.60 | |
| 78119-0159 | 15 | 9.60 | 7.00 | 8.90 | 8.10 | |
| 78119-0169 | 16 | 10.10 | 7.50 | 9.40 | 8.60 | |
| 78119-0179 | 17 | 10.60 | 8.00 | 9.90 | 9.10 | |
| 78119-0189 | 18 | 11.10 | 8.50 | 10.40 | 9.60 | |
| 78119-0199 | 19 | 11.60 | 9.00 | 10.90 | 10.10 | |
| 78119-0209 | 20 | 12.10 | 9.50 | 11.40 | 10.60 | |
| 78119-0219 | 21 | 12.60 | 10.00 | 11.90 | 11.10 | |
| 78119-0229 | 22 | 13.10 | 10.50 | 12.40 | 11.60 | |
| 78119-0239 | 23 | 13.60 | 11.00 | 12.90 | 12.10 | |
| 78119-0249 | 24 | 14.10 | 11.50 | 13.40 | 12.60 | |
| 78119-0259 | 25 | 14.60 | 12.00 | 13.90 | 13.10 | |
| 78119-0269 | 26 | 15.10 | 12.50 | 14.40 | 13.60 | |
| 78119-0279 | 27 | 15.60 | 13.00 | 14.90 | 14.10 | |
| 78119-0289 | 28 | 16.10 | 13.50 | 15.40 | 14.60 | |
| 78119-0299 | 29 | 16.60 | 14.00 | 15.90 | 15.10 | |
| 78119-0309 | 30 | 17.10 | 14.50 | 16.40 | 15.60 | |

| ASSY P/N W/O PACKAGING | CKT | DIM A | DIM B | DIM C | DIM D | PLATING TYPE |
|---------------------------|-----|-------|-------|-------|-------|-----------------|
| 78119-0319 | 31 | 17.60 | 15.00 | 16.90 | 16.10 | 2 |
| 78119-0329 | 32 | 18.10 | 15.50 | 17.40 | 16.60 | |
| 78119-0339 | 33 | 18.60 | 16.00 | 17.90 | 17.10 | |
| 78119-0349 | 34 | 19.10 | 16.50 | 18.40 | 17.60 | |
| 78119-0359 | 35 | 19.60 | 17.00 | 18.90 | 18.10 | |
| 78119-0369 | 36 | 20.10 | 17.50 | 19.40 | 18.60 | |
| 78119-0379 | 37 | 20.60 | 18.00 | 19.90 | 19.10 | |
| 78119-0389 | 38 | 21.10 | 18.50 | 20.40 | 19.60 | |
| 78119-0399 | 39 | 21.60 | 19.00 | 20.90 | 20.10 | |
| 78119-0409 | 40 | 22.10 | 19.50 | 21.40 | 20.60 | |
| 78119-0419 | 41 | 22.60 | 20.00 | 21.90 | 21.10 | |
| 78119-0429 | 42 | 23.10 | 20.50 | 22.40 | 21.60 | |

D

D

C

C

B

B

A

A

| | | | | | | | |
|---|---------------------------------|---|-----------------|-------|--------------|---|---|
| REVISED EC NO: S2007-0721 DRWN: BOKOK CHKD: CGOH APPR: KCLING 2007/03/05 2007/03/05 2007/03/05 | QUALITY SYMBOLS | GENERAL TOLERANCES (UNLESS SPECIFIED) | DIMENSION STYLE | SCALE | DESIGN UNITS | THIRD ANGLE PROJECTION | |
| | $\nabla = 0$ $\triangle = 0$ | mm INCH 4 PLACES ± --- ± --- 3 PLACES ± --- ± --- 2 PLACES ± 0.15 ± --- 1 PLACE ± --- ± --- ANGULAR ± 3 ° | MM ONLY | NTS | METRIC | YLQ1A0 2006/04/11 BOKOK 2006/04/18 PTL IM 2006/04/18 | 0.50MM PITCH, FPC CONN. NON-ZIF, SMT |
| | | DRAFT WHERE APPLICABLE MUST REMAIN WITHIN DIMENSIONS | SEE TABLE | | | MOLEX INCORPORATED SD-78119-001 | SHEET NO. 4 OF 7 |
| | A2 | | | | | MOLEX INCORPORATED SD-78119-001 | THIS DRAWING CONTAINS INFORMATION THAT IS PROPRIETARY TO MOLEX INCORPORATED AND SHOULD NOT BE USED WITHOUT WRITTEN PERMISSION |

9 8 7 6 5 4 3 2 1

10 9 8 7 6 5 4 3 2 1

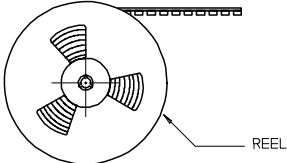
F
E
D
C
B
A

F
E
D
C
B
A

EMBOSSED TYPE A

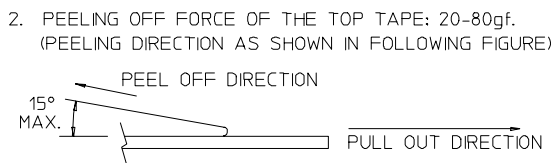


CUSTOMER
PULL OUT DIRECTION



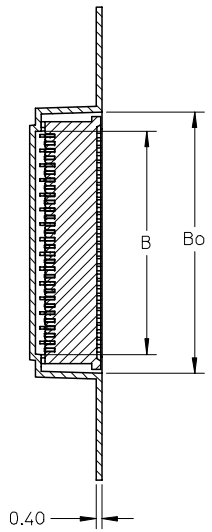
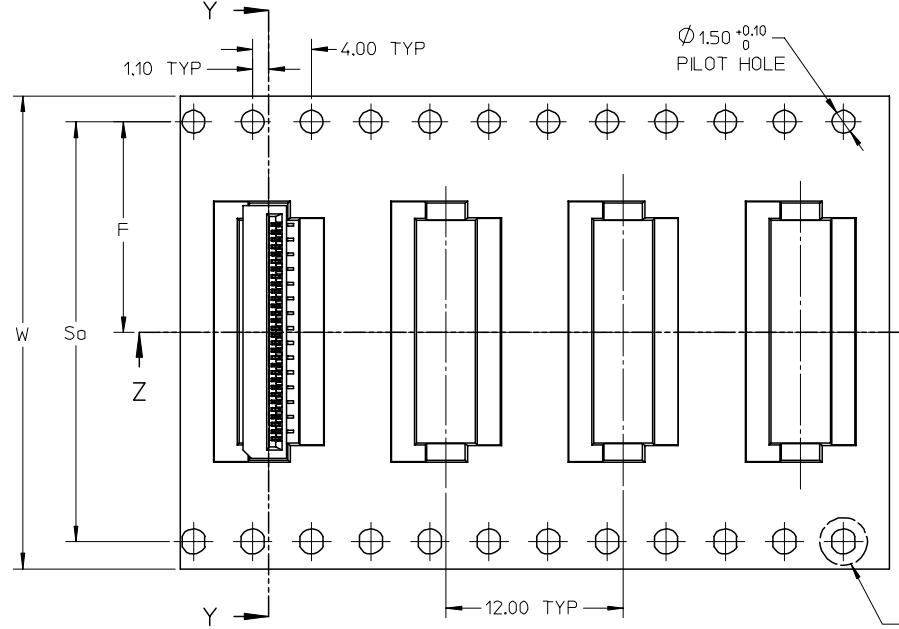
REEL

NOTES:

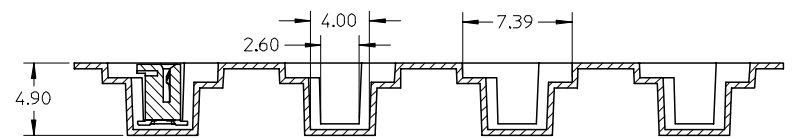


- 1. LEADER AND TRAILER TAPE
- 2. PEELING OFF FORCE OF THE TOP TAPE: 20-80gf.
(PEELING DIRECTION AS SHOWN IN FOLLOWING FIGURE)
- 3. PACKAGING STANDARD IS AS PER EIA-481.
- 4. TAPE & REEL QUANTITY = 1000 PCS/REEL

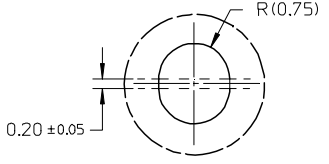
EMBOSSED TYPE B



SECTION Y-Y



SECTION Z-Z



DETAIL 1

DETAIL 1

| | | | | | | | | |
|---|-------------------------------|--|--|--|---|--------------|--------------------------------------|--|
| REVISED EC NO: S2007-0721 DRWN: BOKOK CHKD: CGOH APPR: KCLING 2007/03/05 2007/03/05 2007/03/05 | QUALITY SYMBOLS ▽=0 ▽=0 | GENERAL TOLERANCES (UNLESS SPECIFIED) | | DIMENSION STYLE | SCALE | DESIGN UNITS | THIRD ANGLE PROJECTION | |
| | | | | MM ONLY | NTS | METRIC | | |
| | | | | 4 PLACES ± --- ± --- 3 PLACES ± --- ± --- 2 PLACES ± 0.15 ± --- 1 PLACE ± --- ± --- ANGULAR ± 3° | DRAWN BY YLQ1A0 CHECKED BY BOKOK APPROVED BY PTLIM DATE 2006/04/11 DATE 2006/04/18 DATE 2006/04/18 | TITLE | 0.50MM PITCH, FPC CONN. NON-ZIF, SMT | |
| | | DRAFT WHERE APPLICABLE MUST REMAIN WITHIN DIMENSIONS | | SEE TABLE | MATERIAL NO. MOLEX INCORPORATED DOCUMENT NO. SD-78119-001 SHEET NO. 5 OF 7 | | | |

9 8 7 6 5 4 3 2 1

GOLD PLATING TERMINAL ASSEMBLY PART NUMBERS

| ASSY P/N PACKED IN T&R | ASSY P/N W/O PACKAGING | CKT | W | So | F | Bo | B | EMBOSSED TYPE | ASSY P/N PACKED IN T&R | ASSY P/N W/O PACKAGING | CKT | W | So | F | Bo | B | EMBOSSED TYPE | | | |
|---------------------------|---------------------------|-----|-------|-------|-------|-------|-------|------------------|---------------------------|---------------------------|-----|-------|-------|-------|-------|-------|------------------|--|--|--|
| 78119-1068 | 78119-0068 | 6 | 24.00 | - | 11.50 | 5.40 | 3.10 | A | 78119-1318 | 78119-0318 | 31 | 32.00 | 28.40 | 14.20 | 17.90 | 15.60 | B | | | |
| 78119-1078 | 78119-0078 | 7 | 24.00 | - | 11.50 | 5.90 | 3.60 | | 78119-1328 | 78119-0328 | 32 | 32.00 | 28.40 | 14.20 | 18.40 | 16.10 | | | | |
| 78119-1088 | 78119-0088 | 8 | 24.00 | - | 11.50 | 6.40 | 4.10 | | 78119-1338 | 78119-0338 | 33 | 32.00 | 28.40 | 14.20 | 18.90 | 16.60 | | | | |
| 78119-1098 | 78119-0098 | 9 | 24.00 | - | 11.50 | 6.90 | 4.60 | | 78119-1348 | 78119-0348 | 34 | 32.00 | 28.40 | 14.20 | 19.40 | 17.10 | | | | |
| 78119-1108 | 78119-0108 | 10 | 24.00 | - | 11.50 | 7.40 | 5.10 | | 78119-1358 | 78119-0358 | 35 | 32.00 | 28.40 | 14.20 | 19.90 | 17.60 | | | | |
| 78119-1118 | 78119-0118 | 11 | 24.00 | - | 11.50 | 7.90 | 5.60 | | 78119-1368 | 78119-0368 | 36 | 32.00 | 28.40 | 14.20 | 20.40 | 18.10 | | | | |
| 78119-1128 | 78119-0128 | 12 | 24.00 | - | 11.50 | 8.40 | 6.10 | | 78119-1378 | 78119-0378 | 37 | 32.00 | 28.40 | 14.20 | 20.90 | 18.60 | | | | |
| 78119-1138 | 78119-0138 | 13 | 24.00 | - | 11.50 | 8.90 | 6.60 | | 78119-1388 | 78119-0388 | 38 | 32.00 | 28.40 | 14.20 | 21.40 | 19.10 | | | | |
| 78119-1148 | 78119-0148 | 14 | 24.00 | - | 11.50 | 9.40 | 7.10 | | 78119-1398 | 78119-0398 | 39 | 44.00 | 40.40 | 20.20 | 21.90 | 19.60 | | | | |
| 78119-1158 | 78119-0158 | 15 | 24.00 | - | 11.50 | 9.90 | 7.60 | | 78119-1408 | 78119-0408 | 40 | 44.00 | 40.40 | 20.20 | 22.40 | 20.10 | | | | |
| 78119-1168 | 78119-0168 | 16 | 24.00 | - | 11.50 | 10.40 | 8.10 | | 78119-1418 | 78119-0418 | 41 | 44.00 | 40.40 | 20.20 | 22.90 | 20.60 | | | | |
| 78119-1178 | 78119-0178 | 17 | 24.00 | - | 11.50 | 10.90 | 8.60 | | 78119-1428 | 78119-0428 | 42 | 44.00 | 40.40 | 20.20 | 23.40 | 21.10 | | | | |
| 78119-1188 | 78119-0188 | 18 | 24.00 | - | 11.50 | 11.40 | 9.10 | | | | | | | | | | | | | |
| 78119-1198 | 78119-0198 | 19 | 24.00 | - | 11.50 | 11.90 | 9.60 | | | | | | | | | | | | | |
| 78119-1208 | 78119-0208 | 20 | 24.00 | - | 11.50 | 12.40 | 10.10 | | | | | | | | | | | | | |
| 78119-1218 | 78119-0218 | 21 | 32.00 | 28.40 | 14.20 | 12.90 | 10.60 | | B | | | | | | | | | | | |
| 78119-1228 | 78119-0228 | 22 | 32.00 | 28.40 | 14.20 | 13.40 | 11.10 | | | | | | | | | | | | | |
| 78119-1238 | 78119-0238 | 23 | 32.00 | 28.40 | 14.20 | 13.90 | 11.60 | | | | | | | | | | | | | |
| 78119-1248 | 78119-0248 | 24 | 32.00 | 28.40 | 14.20 | 14.40 | 12.10 | | | | | | | | | | | | | |
| 78119-1258 | 78119-0258 | 25 | 32.00 | 28.40 | 14.20 | 14.90 | 12.60 | | | | | | | | | | | | | |
| 78119-1268 | 78119-0268 | 26 | 32.00 | 28.40 | 14.20 | 15.40 | 13.10 | | | | | | | | | | | | | |
| 78119-1278 | 78119-0278 | 27 | 32.00 | 28.40 | 14.20 | 15.90 | 13.60 | | | | | | | | | | | | | |
| 78119-1288 | 78119-0288 | 28 | 32.00 | 28.40 | 14.20 | 16.40 | 14.10 | | | | | | | | | | | | | |
| 78119-1298 | 78119-0298 | 29 | 32.00 | 28.40 | 14.20 | 16.90 | 14.60 | | | | | | | | | | | | | |
| 78119-1308 | 78119-0308 | 30 | 32.00 | 28.40 | 14.20 | 17.40 | 15.10 | | | | | | | | | | | | | |

| | | | | | | |
|---|--------------------------------------|--|--|-------|--------------|---|
| REVISED EC NO: S2007-0721 DRWN: BOKOK CHKD: CGOH APPR: KCLING 2007/03/05 2007/03/05 2007/03/05 | QUALITY SYMBOLS | GENERAL TOLERANCES (UNLESS SPECIFIED) | DIMENSION STYLE | SCALE | DESIGN UNITS | THIRD ANGLE PROJECTION |
| | $\nabla = 0$ $\nabla \square = 0$ | mm INCH 4 PLACES ± --- ± --- 3 PLACES ± --- ± --- 2 PLACES ± 0.15 ± --- 1 PLACE ± --- ± --- ANGULAR ± 3° | MM ONLY | NTS | METRIC | TITLED 0.50MM PITCH, FPC CONN. NON-ZIF, SMT |
| | DESCRIPTION | DRAFT WHERE APPLICABLE MUST REMAIN WITHIN DIMENSIONS | DRAWN BY DATE YLQIAO 2006/04/11 CHECKED BY DATE BOKOK 2006/04/18 APPROVED BY DATE PTL IM 2006/04/18 | | | MOLEX INCORPORATED DOCUMENT NO. SD-78119-001 |
| | REV | | SEE TABLE | | | SHEET NO. 6 OF 7 |

TIN-BISMUTH PLATING TERMINAL ASSEMBLY PART NUMBERS

| ASSY P/N PACKED IN T&R | ASSY P/N W/O PACKAGING | CKT | W | So | F | Bo | B | EMBOSSSED TYPE | ASSY P/N PACKED IN T&R | ASSY P/N W/O PACKAGING | CKT | W | So | F | Bo | B | EMBOSSSED TYPE | | | |
|---------------------------|---------------------------|-----|-------|-------|-------|-------|-------|-------------------|---------------------------|---------------------------|-----|-------|-------|-------|-------|-------|-------------------|--|--|--|
| 78119-1069 | 78119-0069 | 6 | 24.00 | - | 11.50 | 5.40 | 3.10 | A | 78119-1319 | 78119-0319 | 31 | 32.00 | 28.40 | 14.20 | 17.90 | 15.60 | B | | | |
| 78119-1079 | 78119-0079 | 7 | 24.00 | - | 11.50 | 5.90 | 3.60 | | 78119-1329 | 78119-0329 | 32 | 32.00 | 28.40 | 14.20 | 18.40 | 16.10 | | | | |
| 78119-1089 | 78119-0089 | 8 | 24.00 | - | 11.50 | 6.40 | 4.10 | | 78119-1339 | 78119-0339 | 33 | 32.00 | 28.40 | 14.20 | 18.90 | 16.60 | | | | |
| 78119-1099 | 78119-0099 | 9 | 24.00 | - | 11.50 | 6.90 | 4.60 | | 78119-1349 | 78119-0349 | 34 | 32.00 | 28.40 | 14.20 | 19.40 | 17.10 | | | | |
| 78119-1109 | 78119-0109 | 10 | 24.00 | - | 11.50 | 7.40 | 5.10 | | 78119-1359 | 78119-0359 | 35 | 32.00 | 28.40 | 14.20 | 19.90 | 17.60 | | | | |
| 78119-1119 | 78119-0119 | 11 | 24.00 | - | 11.50 | 7.90 | 5.60 | | 78119-1369 | 78119-0369 | 36 | 32.00 | 28.40 | 14.20 | 20.40 | 18.10 | | | | |
| 78119-1129 | 78119-0129 | 12 | 24.00 | - | 11.50 | 8.40 | 6.10 | | 78119-1379 | 78119-0379 | 37 | 32.00 | 28.40 | 14.20 | 20.90 | 18.60 | | | | |
| 78119-1139 | 78119-0139 | 13 | 24.00 | - | 11.50 | 8.90 | 6.60 | | 78119-1389 | 78119-0389 | 38 | 32.00 | 28.40 | 14.20 | 21.40 | 19.10 | | | | |
| 78119-1149 | 78119-0149 | 14 | 24.00 | - | 11.50 | 9.40 | 7.10 | | 78119-1399 | 78119-0399 | 39 | 44.00 | 40.40 | 20.20 | 21.90 | 19.60 | | | | |
| 78119-1159 | 78119-0159 | 15 | 24.00 | - | 11.50 | 9.90 | 7.60 | | 78119-1409 | 78119-0409 | 40 | 44.00 | 40.40 | 20.20 | 22.40 | 20.10 | | | | |
| 78119-1169 | 78119-0169 | 16 | 24.00 | - | 11.50 | 10.40 | 8.10 | | 78119-1419 | 78119-0419 | 41 | 44.00 | 40.40 | 20.20 | 22.90 | 20.60 | | | | |
| 78119-1179 | 78119-0179 | 17 | 24.00 | - | 11.50 | 10.90 | 8.60 | | 78119-1429 | 78119-0429 | 42 | 44.00 | 40.40 | 20.20 | 23.40 | 21.10 | | | | |
| 78119-1189 | 78119-0189 | 18 | 24.00 | - | 11.50 | 11.40 | 9.10 | | | | | | | | | | | | | |
| 78119-1199 | 78119-0199 | 19 | 24.00 | - | 11.50 | 11.90 | 9.60 | | | | | | | | | | | | | |
| 78119-1209 | 78119-0209 | 20 | 24.00 | - | 11.50 | 12.40 | 10.10 | | | | | | | | | | | | | |
| 78119-1219 | 78119-0219 | 21 | 32.00 | 28.40 | 14.20 | 12.90 | 10.60 | | B | | | | | | | | | | | |
| 78119-1229 | 78119-0229 | 22 | 32.00 | 28.40 | 14.20 | 13.40 | 11.10 | | | | | | | | | | | | | |
| 78119-1239 | 78119-0239 | 23 | 32.00 | 28.40 | 14.20 | 13.90 | 11.60 | | | | | | | | | | | | | |
| 78119-1249 | 78119-0249 | 24 | 32.00 | 28.40 | 14.20 | 14.40 | 12.10 | | | | | | | | | | | | | |
| 78119-1259 | 78119-0259 | 25 | 32.00 | 28.40 | 14.20 | 14.90 | 12.60 | | | | | | | | | | | | | |
| 78119-1269 | 78119-0269 | 26 | 32.00 | 28.40 | 14.20 | 15.40 | 13.10 | | | | | | | | | | | | | |
| 78119-1279 | 78119-0279 | 27 | 32.00 | 28.40 | 14.20 | 15.90 | 13.60 | | | | | | | | | | | | | |
| 78119-1289 | 78119-0289 | 28 | 32.00 | 28.40 | 14.20 | 16.40 | 14.10 | | | | | | | | | | | | | |
| 78119-1299 | 78119-0299 | 29 | 32.00 | 28.40 | 14.20 | 16.90 | 14.60 | | | | | | | | | | | | | |
| 78119-1309 | 78119-0309 | 30 | 32.00 | 28.40 | 14.20 | 17.40 | 15.10 | | | | | | | | | | | | | |

| | | | | | | | |
|---|---------------------------------|--|-----------------|-------|--------------|---|---|
| REVISED EC NO: S2007-0721 DRWN: BOKOK CHKD: CGOH APPR: KCLING 2007/03/05 2007/03/05 2007/03/05 | QUALITY SYMBOLS | GENERAL TOLERANCES (UNLESS SPECIFIED) | DIMENSION STYLE | SCALE | DESIGN UNITS | THIRD ANGLE PROJECTION | |
| | $\nabla = 0$ $\triangle = 0$ | mm INCH 4 PLACES ± --- ± --- 3 PLACES ± --- ± --- 2 PLACES ± 0.15 ± --- 1 PLACE ± --- ± --- ANGULAR ± 3 ° | MM ONLY | NTS | METRIC | YLQ1A0 2006/04/11 BOKOK 2006/04/18 PTL IM 2006/04/18 | 0.50MM PITCH, FPC CONN. NON-ZIF, SMT |
| | | DRAFT WHERE APPLICABLE MUST REMAIN WITHIN DIMENSIONS | SEE TABLE | | | MOLEX INCORPORATED SD-78119-001 | SHEET NO. 7 OF 7 |
| | A2 | | | | | THIS DRAWING CONTAINS INFORMATION THAT IS PROPRIETARY TO MOLEX INCORPORATED AND SHOULD NOT BE USED WITHOUT WRITTEN PERMISSION | |