

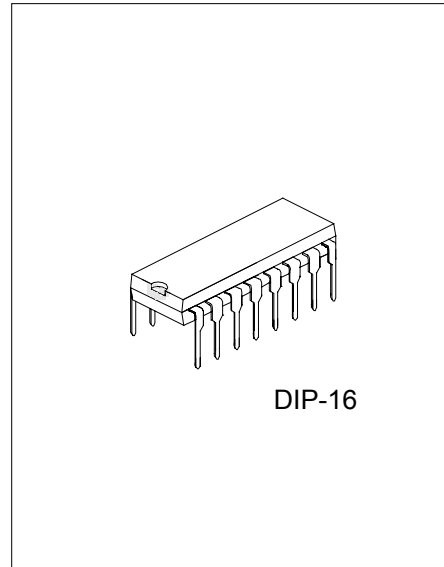
DECODER FOR REMOTE CONTROLLER WITH FIVE FUNCTIONS

DESCRIPTION

The UTC RCR2C can be used with the encoder UTC RCT2E to provide a complete control functions to the remote-controlled toy. The UTC RCR2C is the receiver. It is provide five function keys to control forward, Backward, Rightward, Leftward and Turbo motions. Beside, a combination of these five motions can be played. And UTC RCR2C provides the selections of Output Signal Format.

UTC RCR2C provides two high effective amplifiers and enhance Signal Input (SI) recognition capacity for increasing remote control distance.

UTC RCR2C has an internal, selectable DC-DC converter that makes the application stable, reliable under lower supply voltage. The input voltage ranges from 0.8v ~ 3.0V, where V_{OUT} can be set to 3.0V. Start-up is guaranteed from 1.0V inputs.

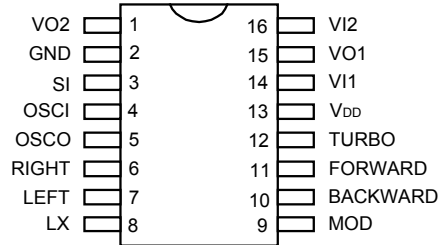


FEATURES

- * Wide and Low operating voltage range:
 - 1.8V ~ 5.0V(No DC-DC)
 - 1.0V ~ 5.0V(Use DC-DC)
- * 5-function output pins for control forward/ backward/ turbo/ right/ left.
- * Provide two transmissive interface (RF and IR) for different application.
- * Selectable Output Signal Format through MOD pin
- * Internal , Selectable DC-DC converter which need few external components
- * Provide two high effective amplifiers and enhance signal enput (SI) recognition capacity for very weak signal for increasing remote control distance.
- * Few external components needed and Oscillator with an external resistor.
- * Low operating current.
- * Long distance Remote Control to 100M in UTC RCT2E and UTC RCR2C pairing.
- * Typical oscillator frequency:
 - RF: 116 ~ 140KHz.
 - IR: 114KHz(Carrier Frequency: 57KHz).
 - IR: 76KHz(Carrier Frequency: 38KHz).

www.DataSheet4U.com

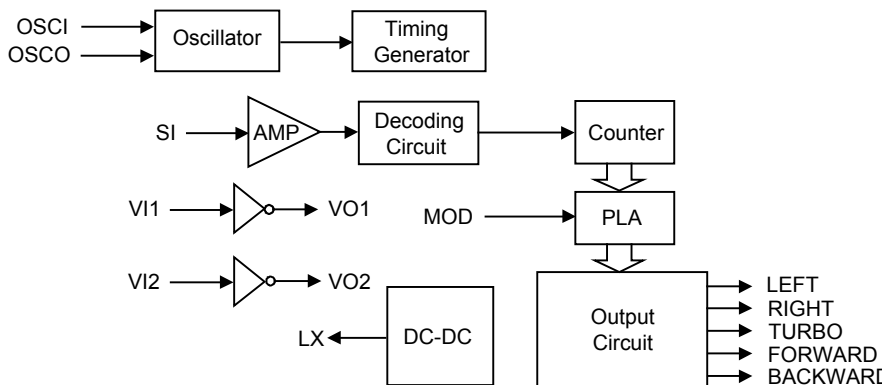
PIN CONFIGURATION



PIN DESCRIPTION

PIN NO.	PIN NAME	FUNCTION
1	VO2	Inverter 2 output pin for power amplify
2	GND	Negative power supply
3	SI	Input pin of the encoding signal
4	OSCI	Oscillator input pin
5	OSCO	Oscillator output pin
6	RIGHT	Rightward output pin
7	LEFT	Leftward output pin
8	LX	DC-DC converter output pin
9	MOD	Output-signal-format selection input pin. High=Open. When Mod is open, the output Signal is same format as UTC RCR2C. When it is pulled low, there is the other Format.
10	BACKWARD	Backward output pin
11	FORWARD	Forward output pin
12	TURBO	Turbo output pin
13	VDD	Positive power supply
14	VI1	Inverter 1 input pin for power amplify
15	VO1	Inverter 1 output pin for power amplify
16	VI2	Inverter 2 input pin for power amplify

BLOCK DIAGRAM



ABSOLUTE MAXIMUM RATINGS

PARAMETER	SYMBOL	RATINGS	UNIT
DC Supply Voltage	V _{DD}	-0.3 ~ 6.0	V
Input/Output Voltage		GND -0.2 ~ V _{DD} +0.2	V
Operating temperature	T _{opr}	-10 ~ 60	°C
Storage Temperature	T _{stg}	-25 ~ 125	°C

ELECTRICAL CHARACTERISTICS

(V_{DD} = 4.5V, F_{osc} = 116 ~ 140KHz, T_a=25°C, NO DC-DC converter, unless otherwise noted.)

PARAMETER	SYMBOL	TEST CONDITIONS	MIN	TYP	MAX	UNIT
Supply Voltage	V _{DD}		1.8	4.5	5.0	V
Operating Current	I _{DD}	Unload			1.0	mA
Output Driving Current	I _{Driving}	Load=0.7V	4.5			mA
Oscillator Frequency Tolerance	F _{tolerance}	UTC RCT2E F _{osc} =128KHz	-20		20	%

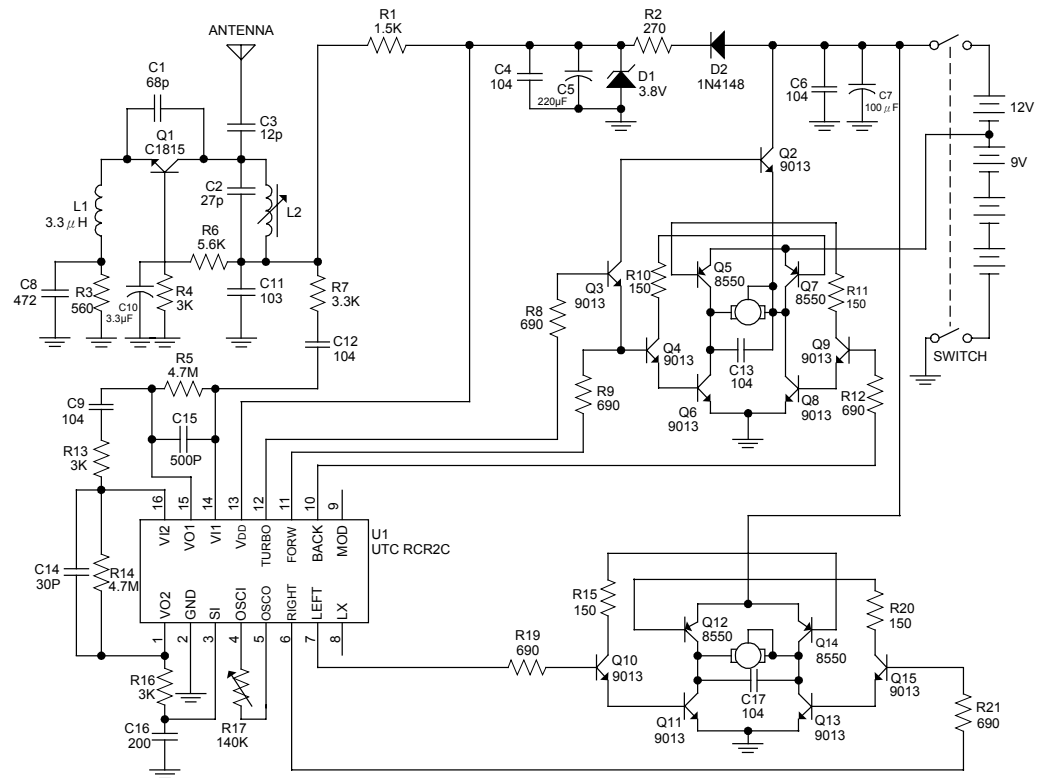
OUTPUT TABLES

FUNCTION KEY(UTC RCT2E)	DECODE RESULT (MOD = 1)	DECODE RESULT (MOD = 0)
	END CODE	END CODE
FORWARD (L)	FORWARD (H)	FORWARD (Z)
FORWARD (L) & TURBO (L)	FORWARD (H)	FORWARD (H) & TURBO (H)
TURBO (L)	TURBO (H)	FORWARD (H) & TURBO (H)
TURBO (L) & FORWARD (L) & LEFT (L)	FORWARD (H) & LEFT (H)	FORWARD (Z) & LEFT (H)
TURBO (L) & FORWARD (L) & RIGHT (L)	FORWARD (H) & RIGHT (H)	FORWARD (Z) & RIGHT (H)
BACKWARD (L)	BACKWARD (H)	BACKWARD (Z)
BACKWARD (L) & RIGHT (L)	BACKWARD (H) & RIGHT (H)	BACKWARD (Z) & RIGHT (H)
BACKWARD (L) & LEFT (L)	BACKWARD (H) & LEFT (H)	BACKWARD (Z) & LEFT (H)
LEFT (L)	LEFT (H)	LEFT (H)
RIGHT (L)	RIGHT (H)	RIGHT (H)

NOTE: L=LOW, H=HIGH, Z= 60Hz 50% DUTY Pulse.

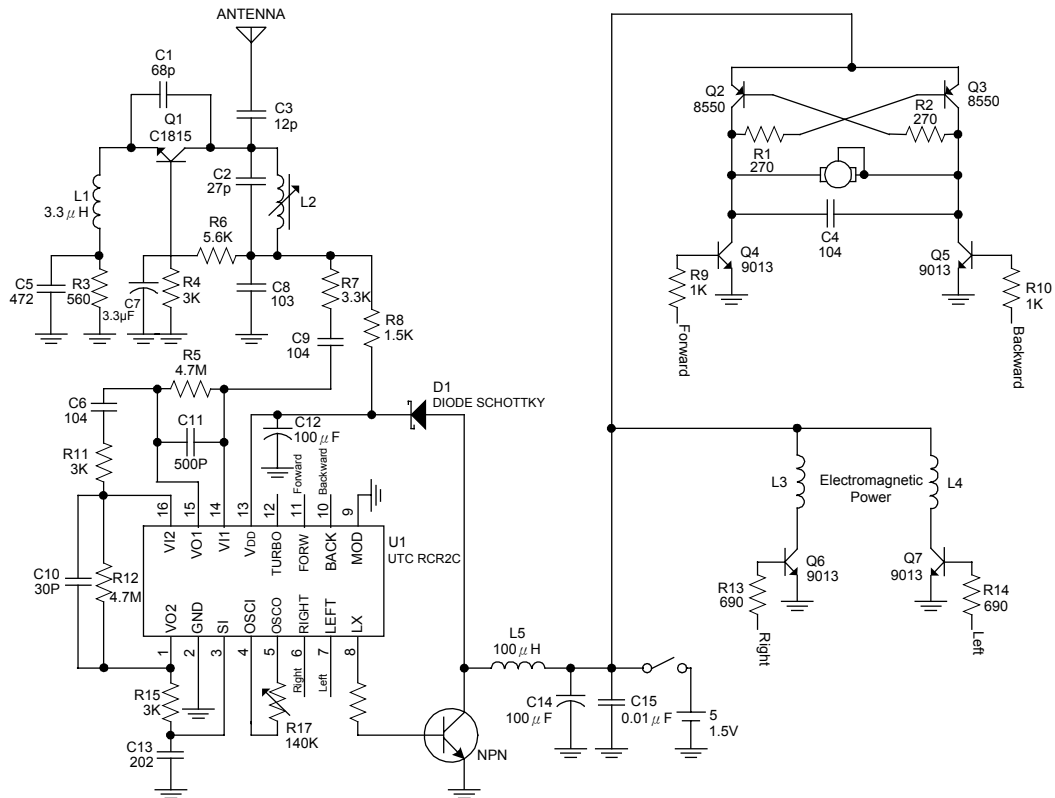
TYPICAL APPLICATION CIRCUIT

Receiver I (Fosc = 128KHz)



- NOTE: 1. MOD=1(Mod Pin opens).
 2. No using DC-DC converter because of higher supply voltage.
 3. Two grade shift gears are realized.

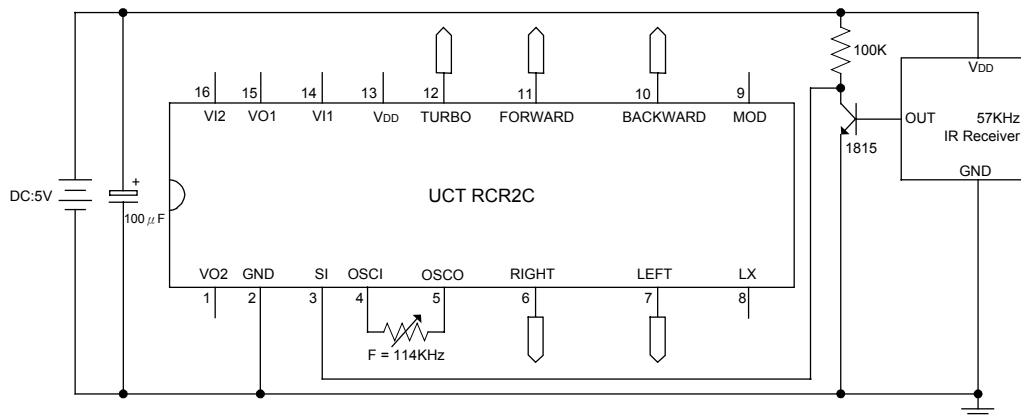
Receiver II (Fosc = 116 ~ 140 KHz)



- NOTE: 1. MOD=0(pulled low)
 2. using DC-DC converter because of lower supply voltage
 3. Two grade shift gears are realized

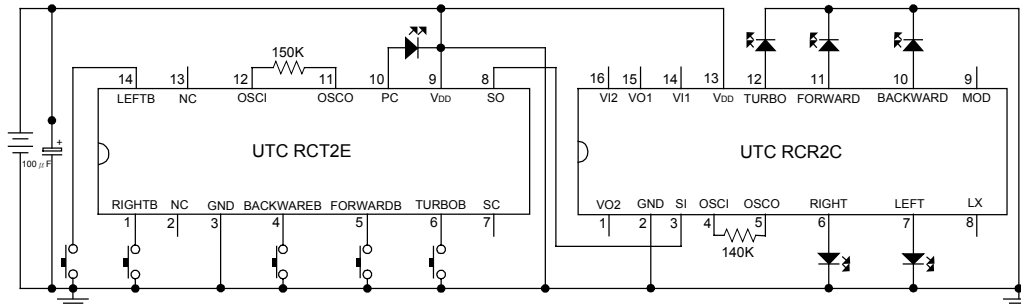
INFRARED APPLICATION CIRCUIT

Receiver (Fosc = 114KHz)

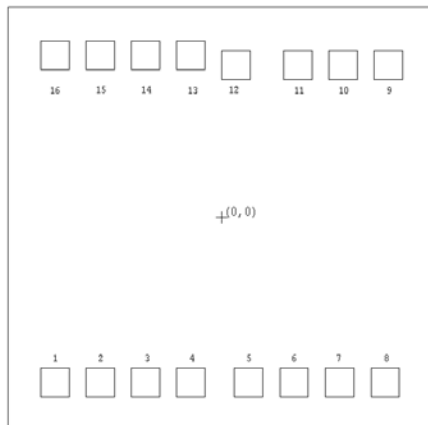


TESTING CIRCUIT

The oscillator frequency is 116 ~ 140KHz



COB BONDING FIGURE



CHIP SIZE: 1320×1300 μm²
 SUBSTRATE: V_{DD}

NO	NAME	X	Y
1	VO2	-514	-511
2	GND	-374	-511
3	SI	-234	-511
4	OSCI	-94	-511
5	OSCO	85	-511
6	RIGHT	226	-511
7	LEFT	367	-511
8	LX	508	-511
9	MOD	518	468.5
10	BACKWARD	378	468.5
11	FORWARD	238	468.5
12	TURBO	46	468.5
13	V _{DD}	-94	499.5
14	VI1	-234	499.5
15	VO1	-374	499.5
16	VI2	-514	499.5

UNIT: μm

UTC assumes no responsibility for equipment failures that result from using products at values that exceed, even momentarily, rated values (such as maximum ratings, operating condition ranges, or other parameters) listed in products specifications of any and all UTC products described or contained herein. UTC products are not designed for use in life support appliances, devices or systems where malfunction of these products can be reasonably expected to result in personal injury. Reproduction in whole or in part is prohibited without the prior written consent of the copyright owner. The information presented in this document does not form part of any quotation or contract, is believed to be accurate and reliable and may be changed without notice.