

TABLE OF CONTENTS

1	GENERAL DESCRIPTION.....	1
2	FEATURES	2
3	ORDERING INFORMATION	2
4	BLOCK DIAGRAM	3
5	DIE ARRANGEMENT	4
6	PIN DESCRIPTION	9
6.1	RES#.....	9
6.2	PS0	9
6.3	PS1	9
6.4	CS#	9
6.5	D/C#.....	9
6.6	R/W(WR#).....	9
6.7	E(RD#).....	9
6.8	D ₀ -D ₇	9
6.9	V _{DD}	9
6.10	RV _{SS}	10
6.11	CV _{SS}	10
6.12	V _{SS}	10
6.13	V _{Cl}	10
6.14	V _{out}	10
6.15	V _{L5} , V _{L4} , V _{L3} and V _{L2}	10
6.16	COM0 – COM63.....	10
6.17	ICONS.....	10
6.18	COL0 – COL103.....	10

6.19	CL	10
6.20	M	11
6.21	MID0~MID2.....	11
6.22	SYNC	11
6.23	MODE	11
6.24	TEST_IN0~1	11
6.25	TEST0~14.....	11
6.26	N/C.....	11
6.27	Dummy.....	11
7	FUNCTIONAL BLOCK DESCRIPTIONS	12
7.1	Command Decoder and Command Interface.....	12
7.2	MPU Parallel 6800-series Interface	12
7.3	MPU Parallel 8080-series Interface	12
7.4	MPU Serial 4-wire Interface.....	13
7.5	MPU Serial 3-wire interface.....	13
7.6	Graphic Display Data RAM (GDDRAM).....	13
7.7	Oscillator Circuit.....	13
7.8	LCD Driving Voltage Generator and Regulator	14
7.9	169 Bit Latch	14
7.10	Level selector	14
7.11	HV Buffer Cell (Level Shifter).....	14
7.12	Default Setting after Reset.....	15
7.13	LCD Panel Driving Waveform	16
	COMMAND TABLE	20
7.14	Read Status Byte	25
7.15	Data Read / Write	25
8	COMMAND DESCRIPTIONS	26

8.1	Set Display On/Off	26
8.2	Set Display Start Line	26
8.3	Set Page Address	26
8.4	Set Higher Column Address	26
8.5	Set Lower Column Address	26
8.6	Set Temperature Coefficient (TC) Value	26
8.7	Set Segment Re-map	26
8.8	Set Normal/Reverse Display	26
8.9	Set Entire Display On/Off	26
8.10	Set LCD Bias	26
8.11	Software Reset	27
8.12	Set COM Output Scan Direction	27
8.13	Set Power Control Register	27
8.14	Set Internal Regulator Resistors Ratio	27
8.15	Set Contrast Control Register	28
8.16	Set frame frequency	29
8.17	Set Multiplex Ratio	29
8.18	Set Power Save Mode	29
8.19	Exit Power Save Mode	29
8.20	Set N-line Inversion	29
8.21	Exit N-line Inversion	29
8.22	Set DC-DC Converter Factor	29
8.23	Set Icon Enable	29
8.24	Start Internal Oscillator	29
8.25	Set Display Data Length	29
8.26	Set Test Mode	29
8.27	Status register Read	30
8.28	Set Gray Scale Mode (White/Light Gray/Dark Gray/Black)	30

8.29	Set PWM and FRC.....	30
	EXTENDED COMMANDS.....	30
8.30	OTP setting and programming.....	31
8.31	Enable External Oscillator Input	33
9	MAXIMUM RATINGS.....	34
10	DC CHARACTERISTICS	35
11	AC CHARACTERISTICS	37
12	APPLICATION EXAMPLES	44

TABLE OF FIGURES

Figure 1 - Block Diagram	3
Figure 2 – SSD1858 Pin Assignment	4
Figure 3 – Display Data Read with the insertion of Dummy Read.....	12
Figure 4 - Oscillator Circuitry.....	13
Figure 5 - SSD1858 Graphic Display Data RAM (GDDRAM) Address Map (with vertical scroll value 30H & MODE=L).....	17
Figure 6 - SSD1858 Graphic Display Data RAM (GDDRAM) Address Map (with vertical scroll value 30H & MODE=H)	18
Figure 7 - LCD Display Example “0”	19
Figure 8 - LCD Driving Signal from SSD1858.....	19
Figure 9 - Contrast Control Voltage Range Curve (TC=-0.14%/°C; V _{DD} =2.775V; V _{CI} =3.5V)	28
Figure 10 - Contrast Control Flow	28
Figure 11 - OTP programming circuitry.....	31
Figure 12 - Flow chart of OTP program	32
Figure 13 - Frame Frequency at different VDD(Temp = 25°C).....	37
Figure 14 – Parallel 6800-series Interface Timing Characteristics (PS0 = H, PS1 = H).....	38
Figure 15 - Parallel 6800-series Interface Timing Characteristics (PS0 = H, PS1 = H)	39
Figure 16 - Parallel 8080-series Interface Timing Characteristics (PS0 = H, PS1 = L).....	40
Figure 17 - Parallel 8080-series Interface Timing Characteristics (PS0 = H, PS1 = L).....	41
Figure 18- Serial Timing Characteristics (PS0 = L)	42
Figure 19 - Serial Timing Characteristics (PS0 = L)	43

LIST OF TABLE

Table 1 - Ordering Information	2
Table 2 - SSD1858 Series Die Pad Coordinates	5
Table 3 - PS0 & PS1 Interface.....	9
Table 4 - V _{out} > V _{L5} > V _{L4} > V _{L3} > V _{L2} > V _{SS} Relationship	10
Table 5 – Mode setting.....	11
Table 6 -Modes of Operation	13
Table 7 - COMMAND TABLE.....	20
Table 8 – Extended Command Table	24
Table 9 - Read Status Byte.....	25
Table 10 - Address Increment Table.....	25
Table 11 - Commands Required for R/W (WR#) Actions on RAM	25
Table 12 - Maximum Ratings (Voltage Referenced to V _{SS}).....	34
Table 13 - DC Characteristics (Unless otherwise specified, Voltage Referenced to V _{SS} , V _{DD} = 1.8 to 3.3V, T _A = -40 to 85°C).....	35
Table 14 - AC Characteristics (Unless otherwise specified, Voltage Referenced to V _{SS} , V _{DD} , V _{CI} = 2.7V, T _A = -40 to 85°C)	37
Table 15 – Parallel Timing Characteristics (T _A = -40 to 85°C, V _{DD} = 1.8V, V _{SS} =0V).....	38
Table 16 – Parallel Timing Characteristics (T _A = -40 to 85°C, V _{DD} = 2.7, V _{SS} =0V).....	39
Table 17 - Parallel Timing Characteristics (T _A = -40 to 85°C, V _{DD} = 1.8V, V _{SS} =0V).....	40
Table 18 - Parallel Timing Characteristics (T _A = -40 to 85°C, V _{DD} = 2.7V, V _{SS} =0V).....	41
Table 19 – Serial Timing Characteristics (T _A = -40 to 85°C, V _{DD} = 2.7V, V _{SS} =0V).....	42
Table 20 – Serial Timing Characteristics (T _A = -40 to 85°C, V _{DD} = 1.8V, V _{SS} =0V).....	43

SSD1858

Advanced Information

LCD Segment / Common Driver with Controller CMOS

1 General Description

SSD1858 is a single-chip CMOS 4 gray scale LCD driver with controller for liquid crystal dot-matrix graphic display system. SSD1858 consists of 169 high voltage driving output pins for driving maximum 104 Segments, 64 Commons and 1 icon driving Commons. SSD1858 supports two display modes 96x65 or 104x65 by pin select.

SSD1858 displays data directly from its internal 104x65x2 bits Graphic Display Data RAM (GDDRAM). Data/Commands are sent from general MCU through a hardware selectable 6800-/8080-series compatible Parallel Interface or 3/4 wires Serial Peripheral Interface.

SSD1858 embeds a DC-DC Converter, a LCD Voltage Regulator, an On-Chip Bias Divider, integrated bias capacitors, integrated booster capacitors and an On-Chip oscillator which reduce the number of external components. With the special design on minimizing power consumption and die/package layout, SSD1858 is suitable for any portable battery-driven applications requiring a long operation period and a compact size.

This document contains information on a new product. Specifications and information herein are subject to change without notice.

2 FEATURES

104x64 4 gray scale levels Graphic Display with an Icon Line
Programmable Multiplex ratio (partial display) [16Mux - 65Mux]
Single Supply Operation, 1.8 V - 3.3V
Low Current Sleep Mode (<1.0uA)
On-Chip Voltage Generator / External Power Supply
Software selectable 2X / 3X / 4X / 5X On-Chip DC-DC Converter, with Integrated Capacitors
On-Chip Oscillator
Software Selectable On-Chip Bias Dividers, with Integrated Capacitors
Programmable 1/4, 1/5, 1/6, 1/7, 1/8, 1/9 bias ratio
Maximum +12.0V LCD Driving Output Voltage
Hardware pin selectable for 8-bit 6800-series Parallel Interface, 8-bit 8080-series Parallel Interface, 3-wire Serial Peripheral Interface or 4-wire Serial Peripheral Interface
On-Chip 104 x 65 x 2 Graphic Display Data RAM
Re-mapping of Row and Column Drivers
Vertical Scrolling
Display Offset Control
64 Levels Internal Contrast Control
External Contrast Control
Maximum 17MHz SPI or 15MHz PPI operation
Selectable LCD Driving Voltage Temperature Coefficients (5 settings) [-0.14%/°C (POR)]
Programmable Frame Frequency
One time programmable (OTP) capability for Vout adjusts.

3 ORDERING INFORMATION

Table 1 - Ordering Information

Ordering Part Number	Seg	Com	Package Form
SSD1858Z	104 /96	64 + 1	Gold Bump Die

4 BLOCK DIAGRAM

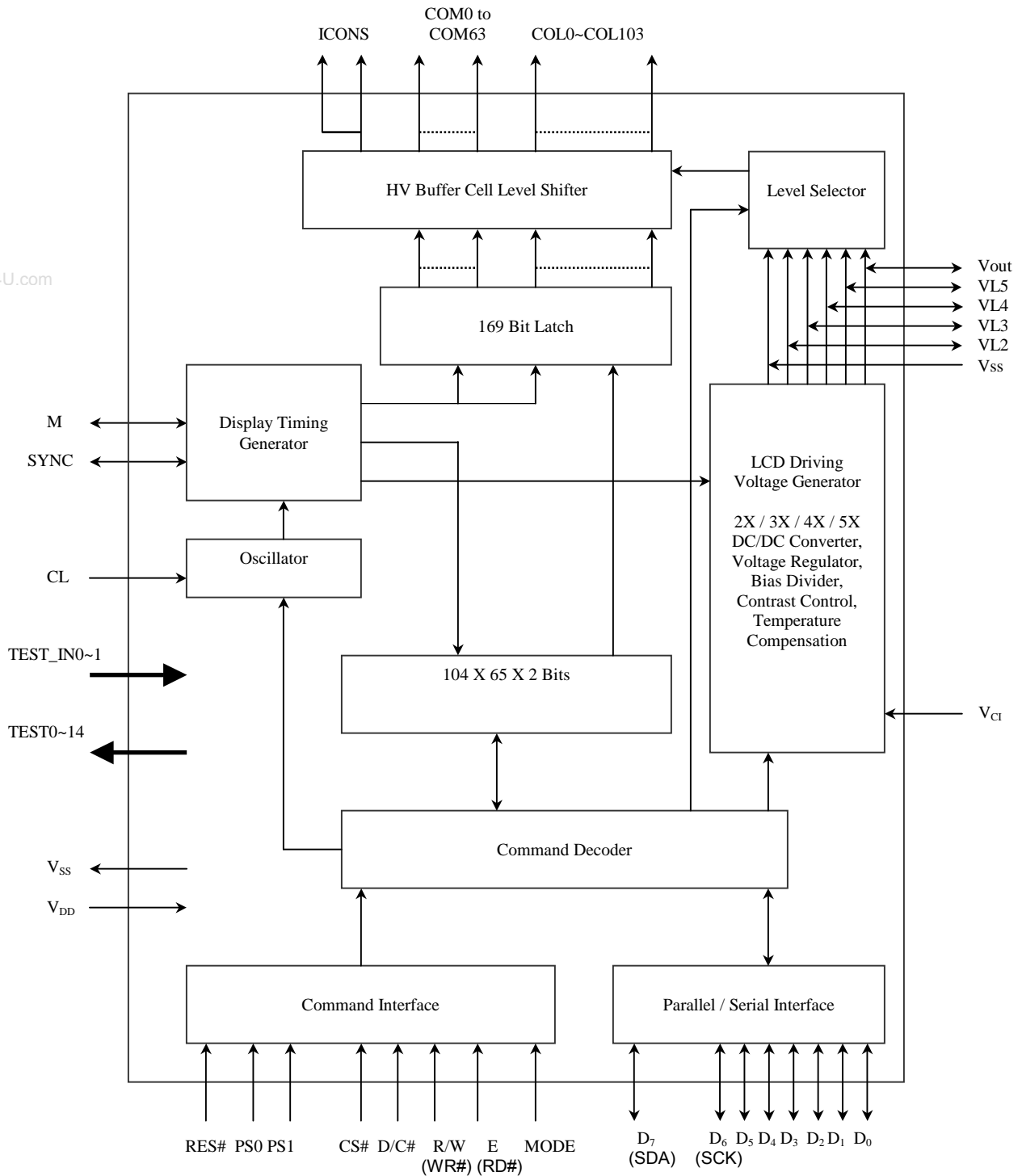


Figure 1 - Block Diagram

5 DIE ARRANGEMENT

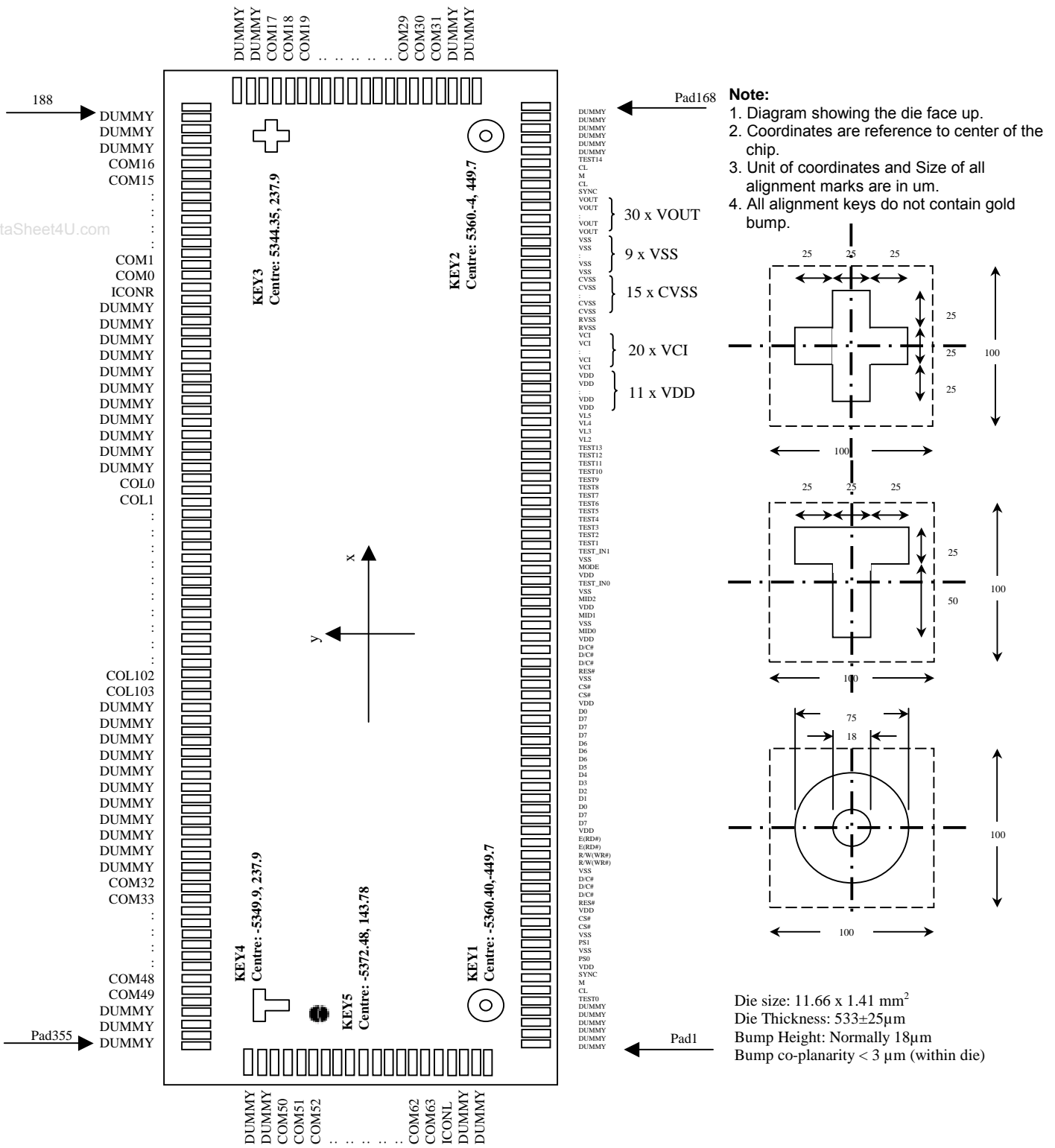


Figure 2 – SSD1858 Pin Assignment

Table 2 - SSD1858 Series Die Pad Coordinates

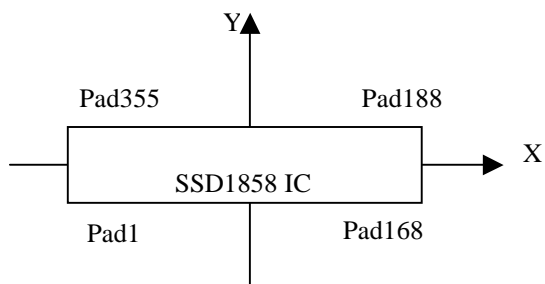
Pad #	Pad Name	X-pos	Y-pos	Pad #	Pad Name	X-pos	Y-pos	Pad #	Pad Name	X-pos	Y-pos
1	DUMMY	-5601.45	-619.05	51	D/C#	-2256.45	-619.05	101	VCI	1103.85	-619.05
2	DUMMY	-5534.55	-619.05	52	VDD	-2189.55	-619.05	102	VCI	1170.75	-619.05
3	DUMMY	-5467.65	-619.05	53	MID0	-2122.65	-619.05	103	VCI	1237.65	-619.05
4	DUMMY	-5400.75	-619.05	54	VSS	-2055.75	-619.05	104	VCI	1304.55	-619.05
5	DUMMY	-5333.85	-619.05	55	MID1	-1988.85	-619.05	105	VCI	1371.45	-619.05
6	DUMMY	-5266.95	-619.05	56	VDD	-1921.95	-619.05	106	VCI	1438.35	-619.05
7	TEST0	-5200.05	-619.05	57	MID2	-1855.05	-619.05	107	VCI	1505.25	-619.05
8	CL	-5133.15	-619.05	58	VSS	-1788.15	-619.05	108	VCI	1572.15	-619.05
9	M	-5066.25	-619.05	59	TEST_IN0	-1721.25	-619.05	109	VCI	1639.05	-619.05
10	SYNC	-4999.35	-619.05	60	VDD	-1654.35	-619.05	110	VCI	1705.95	-619.05
11	VDD	-4932.45	-619.05	61	MODE	-1587.45	-619.05	111	VCI	1772.85	-619.05
12	PS0	-4865.55	-619.05	62	VSS	-1520.55	-619.05	112	RVSS	1839.75	-619.05
13	VSS	-4798.65	-619.05	63	TEST_IN1	-1453.65	-619.05	113	RVSS	1906.65	-619.05
14	PS1	-4731.75	-619.05	64	TEST1	-1386.75	-619.05	114	CVSS	1973.55	-619.05
15	VSS	-4664.85	-619.05	65	TEST2	-1319.85	-619.05	115	CVSS	2040.45	-619.05
16	CS#	-4597.95	-619.05	66	TEST3	-1252.95	-619.05	116	CVSS	2107.35	-619.05
17	CS#	-4531.05	-619.05	67	TEST4	-1186.05	-619.05	117	CVSS	2174.25	-619.05
18	VDD	-4464.15	-619.05	68	TEST5	-1119.15	-619.05	118	CVSS	2241.15	-619.05
19	RES#	-4397.25	-619.05	69	TEST6	-1052.25	-619.05	119	CVSS	2308.05	-619.05
20	D/C#	-4330.35	-619.05	70	TEST7	-985.35	-619.05	120	CVSS	2374.95	-619.05
21	D/C#	-4263.45	-619.05	71	TEST8	-918.45	-619.05	121	CVSS	2441.85	-619.05
22	D/C#	-4196.55	-619.05	72	TEST9	-851.55	-619.05	122	CVSS	2508.75	-619.05
23	VSS	-4129.65	-619.05	73	TEST10	-784.65	-619.05	123	CVSS	2575.65	-619.05
24	R/W(WR#)	-4062.75	-619.05	74	TEST11	-717.75	-619.05	124	CVSS	2642.55	-619.05
25	R/W(WR#)	-3995.85	-619.05	75	TEST12	-650.85	-619.05	125	CVSS	2709.45	-619.05
26	E(RD#)	-3928.95	-619.05	76	TEST13	-576.30	-619.05	126	CVSS	2776.35	-619.05
27	E(RD#)	-3862.05	-619.05	77	VL2	-509.40	-619.05	127	CVSS	2843.25	-619.05
28	VDD	-3795.15	-619.05	78	VL3	-442.50	-619.05	128	CVSS	2910.15	-619.05
29	D7	-3728.25	-619.05	79	VL4	-375.60	-619.05	129	VSS	2977.05	-619.05
30	D7	-3661.35	-619.05	80	VL5	-308.70	-619.05	130	VSS	3043.95	-619.05
31	D0	-3594.45	-619.05	81	VDD	-234.15	-619.05	131	VSS	3110.85	-619.05
32	D1	-3527.55	-619.05	82	VDD	-167.25	-619.05	132	VSS	3177.75	-619.05
33	D2	-3460.65	-619.05	83	VDD	-100.35	-619.05	133	VSS	3244.65	-619.05
34	D3	-3393.75	-619.05	84	VDD	-33.45	-619.05	134	VSS	3311.55	-619.05
35	D4	-3326.85	-619.05	85	VDD	33.45	-619.05	135	VSS	3378.45	-619.05
36	D5	-3259.95	-619.05	86	VDD	100.35	-619.05	136	VSS	3445.35	-619.05
37	D6	-3193.05	-619.05	87	VDD	167.25	-619.05	137	VSS	3512.25	-619.05
38	D6	-3126.15	-619.05	88	VDD	234.15	-619.05	138	VOUT	3586.80	-619.05
39	D6	-3059.25	-619.05	89	VDD	301.05	-619.05	139	VOUT	3653.70	-619.05
40	D7	-2992.35	-619.05	90	VDD	367.95	-619.05	140	VOUT	3720.60	-619.05
41	D7	-2925.45	-619.05	91	VDD	434.85	-619.05	141	VOUT	3787.50	-619.05
42	D7	-2858.55	-619.05	92	VCI	501.75	-619.05	142	VOUT	3854.40	-619.05
43	D0	-2791.65	-619.05	93	VCI	568.65	-619.05	143	VOUT	3921.30	-619.05
44	VDD	-2724.75	-619.05	94	VCI	635.55	-619.05	144	VOUT	3988.20	-619.05
45	CS#	-2657.85	-619.05	95	VCI	702.45	-619.05	145	VOUT	4055.10	-619.05
46	CS#	-2590.95	-619.05	96	VCI	769.35	-619.05	146	VOUT	4122.00	-619.05
47	VSS	-2524.05	-619.05	97	VCI	836.25	-619.05	147	VOUT	4188.90	-619.05
48	RES#	-2457.15	-619.05	98	VCI	903.15	-619.05	148	VOUT	4255.80	-619.05
49	D/C#	-2390.25	-619.05	99	VCI	970.05	-619.05	149	VOUT	4322.70	-619.05
50	D/C#	-2323.35	-619.05	100	VCI	1036.95	-619.05	150	VOUT	4389.60	-619.05

Pad #	Pad Name	X-pos	Y-pos	Pad #	Pad Name	SIGNAL MODE=1	SIGNAL MODE=0	X-pos	Y-pos
151	VOUT	4456.50	-619.05	201	COM6	COM6	COM6	4716.45	619.05
152	VOUT	4523.40	-619.05	202	COM5	COM5	COM5	4649.55	619.05
153	VOUT	4590.30	-619.05	203	COM4	COM4	COM4	4582.65	619.05
154	VOUT	4657.20	-619.05	204	COM3	COM3	COM3	4515.75	619.05
155	VOUT	4724.10	-619.05	205	COM2	COM2	COM2	4448.85	619.05
156	VOUT	4791.00	-619.05	206	COM1	COM1	COM1	4381.95	619.05
157	VOUT	4857.90	-619.05	207	COM0	COM0	COM0	4315.05	619.05
158	SYNC	4932.45	-619.05	208	ICONR	ICONR	ICONR	4248.15	619.05
159	CL	4999.35	-619.05	209	DUMMY	DUMMY	DUMMY	4181.25	619.05
160	M	5066.25	-619.05	210	DUMMY	DUMMY	DUMMY	4114.35	619.05
161	CL	5133.15	-619.05	211	DUMMY	DUMMY	DUMMY	4047.45	619.05
162	TEST14	5200.05	-619.05	212	DUMMY	DUMMY	DUMMY	3980.55	619.05
163	DUMMY	5266.95	-619.05	213	DUMMY	DUMMY	DUMMY	3913.65	619.05
164	DUMMY	5333.85	-619.05	214	DUMMY	DUMMY	DUMMY	3846.75	619.05
165	DUMMY	5400.75	-619.05	215	DUMMY	DUMMY	DUMMY	3779.85	619.05
166	DUMMY	5467.65	-619.05	216	DUMMY	DUMMY	DUMMY	3712.95	619.05
167	DUMMY	5534.55	-619.05	217	DUMMY	DUMMY	DUMMY	3646.05	619.05
168	DUMMY	5601.45	-619.05	218	DUMMY	DUMMY	DUMMY	3579.15	619.05
169	DUMMY	5741.55	-615.90	219	DUMMY	DUMMY	DUMMY	3512.25	619.05
170	DUMMY	5741.55	-549.00	220	COL0	N/C	SEG0	3445.35	619.05
171	COM31	5741.55	-482.10	221	COL1	N/C	SEG1	3378.45	619.05
172	COM30	5741.55	-415.20	222	COL2	N/C	SEG2	3311.55	619.05
173	COM29	5741.55	-348.30	223	COL3	N/C	SEG3	3244.65	619.05
174	COM28	5741.55	-281.40	224	COL4	SEG0	SEG4	3177.75	619.05
175	COM27	5741.55	-214.50	225	COL5	SEG1	SEG5	3110.85	619.05
176	COM26	5741.55	-147.60	226	COL6	SEG2	SEG6	3043.95	619.05
177	COM25	5741.55	-80.70	227	COL7	SEG3	SEG7	2977.05	619.05
178	COM24	5741.55	-13.80	228	COL8	SEG4	SEG8	2910.15	619.05
179	COM23	5741.55	53.10	229	COL9	SEG5	SEG9	2843.25	619.05
180	COM22	5741.55	120.00	230	COL10	SEG6	SEG10	2776.35	619.05
181	COM21	5741.55	186.90	231	COL11	SEG7	SEG11	2709.45	619.05
182	COM20	5741.55	253.80	232	COL12	SEG8	SEG12	2642.55	619.05
183	COM19	5741.55	320.70	233	COL13	SEG9	SEG13	2575.65	619.05
184	COM18	5741.55	387.60	234	COL14	SEG10	SEG14	2508.75	619.05
185	COM17	5741.55	454.50	235	COL15	SEG11	SEG15	2441.85	619.05
186	DUMMY	5741.55	521.40	236	COL16	SEG12	SEG16	2374.95	619.05
187	DUMMY	5741.55	588.30	237	COL17	SEG13	SEG17	2308.05	619.05
188	DUMMY	5586.15	619.05	238	COL18	SEG14	SEG18	2241.15	619.05
189	DUMMY	5519.25	619.05	239	COL19	SEG15	SEG19	2174.25	619.05
190	DUMMY	5452.35	619.05	240	COL20	SEG16	SEG20	2107.35	619.05
191	COM16	5385.45	619.05	241	COL21	SEG17	SEG21	2040.45	619.05
192	COM15	5318.55	619.05	242	COL22	SEG18	SEG22	1973.55	619.05
193	COM14	5251.65	619.05	243	COL23	SEG19	SEG23	1906.65	619.05
194	COM13	5184.75	619.05	244	COL24	SEG20	SEG24	1839.75	619.05
195	COM12	5117.85	619.05	245	COL25	SEG21	SEG25	1772.85	619.05
196	COM11	5050.95	619.05	246	COL26	SEG22	SEG26	1705.95	619.05
197	COM10	4984.05	619.05	247	COL27	SEG23	SEG27	1639.05	619.05
198	COM9	4917.15	619.05	248	COL28	SEG24	SEG28	1572.15	619.05
199	COM8	4850.25	619.05	249	COL29	SEG25	SEG29	1505.25	619.05
200	COM7	4783.35	619.05	250	COL30	SEG26	SEG30	1438.35	619.05

Pad #	Pad Name	SIGNAL MODE=1	SIGNAL MODE=0	X-pos	Y-pos	Pad #	Pad Name	SIGNAL MODE=1	SIGNAL MODE=0	X-pos	Y-pos
251	COL31	SEG27	SEG31	1371.45	619.05	301	COL81	SEG77	SEG81	-1973.55	619.05
252	COL32	SEG28	SEG32	1304.55	619.05	302	COL82	SEG78	SEG82	-2040.45	619.05
253	COL33	SEG29	SEG33	1237.65	619.05	303	COL83	SEG79	SEG83	-2107.35	619.05
254	COL34	SEG30	SEG34	1170.75	619.05	304	COL84	SEG80	SEG84	-2174.25	619.05
255	COL35	SEG31	SEG35	1103.85	619.05	305	COL85	SEG81	SEG85	-2241.15	619.05
256	COL36	SEG32	SEG36	1036.95	619.05	306	COL86	SEG82	SEG86	-2308.05	619.05
257	COL37	SEG33	SEG37	970.05	619.05	307	COL87	SEG83	SEG87	-2374.95	619.05
258	COL38	SEG34	SEG38	903.15	619.05	308	COL88	SEG84	SEG88	-2441.85	619.05
259	COL39	SEG35	SEG39	836.25	619.05	309	COL89	SEG85	SEG89	-2508.75	619.05
260	COL40	SEG36	SEG40	769.35	619.05	310	COL90	SEG86	SEG90	-2575.65	619.05
261	COL41	SEG37	SEG41	702.45	619.05	311	COL91	SEG87	SEG91	-2642.55	619.05
262	COL42	SEG38	SEG42	635.55	619.05	312	COL92	SEG88	SEG92	-2709.45	619.05
263	COL43	SEG39	SEG43	568.65	619.05	313	COL93	SEG89	SEG93	-2776.35	619.05
264	COL44	SEG40	SEG44	501.75	619.05	314	COL94	SEG90	SEG94	-2843.25	619.05
265	COL45	SEG41	SEG45	434.85	619.05	315	COL95	SEG91	SEG95	-2910.15	619.05
266	COL46	SEG42	SEG46	367.95	619.05	316	COL96	SEG92	SEG96	-2977.05	619.05
267	COL47	SEG43	SEG47	301.05	619.05	317	COL97	SEG93	SEG97	-3043.95	619.05
268	COL48	SEG44	SEG48	234.15	619.05	318	COL98	SEG94	SEG98	-3110.85	619.05
269	COL49	SEG45	SEG49	167.25	619.05	319	COL99	SEG95	SEG99	-3177.75	619.05
270	COL50	SEG46	SEG50	100.35	619.05	320	COL100	N/C	SEG100	-3244.65	619.05
271	COL51	SEG47	SEG51	33.45	619.05	321	COL101	N/C	SEG101	-3311.55	619.05
272	COL52	SEG48	SEG52	-33.45	619.05	322	COL102	N/C	SEG102	-3378.45	619.05
273	COL53	SEG49	SEG53	-100.35	619.05	323	COL103	N/C	SEG103	-3445.35	619.05
274	COL54	SEG50	SEG54	-167.25	619.05	324	DUMMY	DUMMY	DUMMY	-3512.25	619.05
275	COL55	SEG51	SEG55	-234.15	619.05	325	DUMMY	DUMMY	DUMMY	-3579.15	619.05
276	COL56	SEG52	SEG56	-301.05	619.05	326	DUMMY	DUMMY	DUMMY	-3646.05	619.05
277	COL57	SEG53	SEG57	-367.95	619.05	327	DUMMY	DUMMY	DUMMY	-3712.95	619.05
278	COL58	SEG54	SEG58	-434.85	619.05	328	DUMMY	DUMMY	DUMMY	-3779.85	619.05
279	COL59	SEG55	SEG59	-501.75	619.05	329	DUMMY	DUMMY	DUMMY	-3846.75	619.05
280	COL60	SEG56	SEG60	-568.65	619.05	330	DUMMY	DUMMY	DUMMY	-3913.65	619.05
281	COL61	SEG57	SEG61	-635.55	619.05	331	DUMMY	DUMMY	DUMMY	-3980.55	619.05
282	COL62	SEG58	SEG62	-702.45	619.05	332	DUMMY	DUMMY	DUMMY	-4047.45	619.05
283	COL63	SEG59	SEG63	-769.35	619.05	333	DUMMY	DUMMY	DUMMY	-4114.35	619.05
284	COL64	SEG60	SEG64	-836.25	619.05	334	DUMMY	DUMMY	DUMMY	-4181.25	619.05
285	COL65	SEG61	SEG65	-903.15	619.05	335	COM32	COM32	COM32	-4248.15	619.05
286	COL66	SEG62	SEG66	-970.05	619.05	336	COM33	COM33	COM33	-4315.05	619.05
287	COL67	SEG63	SEG67	-1036.95	619.05	337	COM34	COM34	COM34	-4381.95	619.05
288	COL68	SEG64	SEG68	-1103.85	619.05	338	COM35	COM35	COM35	-4448.85	619.05
289	COL69	SEG65	SEG69	-1170.75	619.05	339	COM36	COM36	COM36	-4515.75	619.05
290	COL70	SEG66	SEG70	-1237.65	619.05	340	COM37	COM37	COM37	-4582.65	619.05
291	COL71	SEG67	SEG71	-1304.55	619.05	341	COM38	COM38	COM38	-4649.55	619.05
292	COL72	SEG68	SEG72	-1371.45	619.05	342	COM39	COM39	COM39	-4716.45	619.05
293	COL73	SEG69	SEG73	-1438.35	619.05	343	COM40	COM40	COM40	-4783.35	619.05
294	COL74	SEG70	SEG74	-1505.25	619.05	344	COM41	COM41	COM41	-4850.25	619.05
295	COL75	SEG71	SEG75	-1572.15	619.05	345	COM42	COM42	COM42	-4917.15	619.05
296	COL76	SEG72	SEG76	-1639.05	619.05	346	COM43	COM43	COM43	-4984.05	619.05
297	COL77	SEG73	SEG77	-1705.95	619.05	347	COM44	COM44	COM44	-5050.95	619.05
298	COL78	SEG74	SEG78	-1772.85	619.05	348	COM45	COM45	COM45	-5117.85	619.05
299	COL79	SEG75	SEG79	-1839.75	619.05	349	COM46	COM46	COM46	-5184.75	619.05
300	COL80	SEG76	SEG80	-1906.65	619.05	350	COM47	COM47	COM47	-5251.65	619.05

Pad #	Signal	X-pos	Y-pos
351	COM48	-5318.55	619.05
352	COM49	-5385.45	619.05
353	DUMMY	-5452.35	619.05
354	DUMMY	-5519.25	619.05
355	DUMMY	-5586.15	619.05
356	DUMMY	-5741.55	588.30
357	DUMMY	-5741.55	521.40
358	COM50	-5741.55	454.50
359	COM51	-5741.55	387.60
360	COM52	-5741.55	320.70
361	COM53	-5741.55	253.80
362	COM54	-5741.55	186.90
363	COM55	-5741.55	120.00
364	COM56	-5741.55	53.10
365	COM57	-5741.55	-13.80
366	COM58	-5741.55	-80.70
367	COM59	-5741.55	-147.60
368	COM60	-5741.55	-214.50
369	COM61	-5741.55	-281.40
370	COM62	-5741.55	-348.30
371	COM63	-5741.55	-415.20
372	ICONL	-5741.55	-482.10
373	DUMMY	-5741.55	-549.00
374	DUMMY	-5741.55	-615.90

www.DataSheet4U.com



	X	Y	Unit	Remark
Pad Pitch	66.9	66.9	um	Min.
Pad Space	24.9	24.9	um	Min.

	Pad #	X	Y	Unit
Pad Size	1 - 168	42	60	um
	169 - 187	60	42	um
	188 - 355	42	60	um
	356 - 374	60	42	um

6 PIN DESCRIPTION

6.1 RES#

This pin is reset signal input. When the pin is low, initialization of the chip is executed.

6.2 PS0

This pin uses together with PS1 to determine the interface protocol between the driver and MCU. Refer to PS1 pin descriptions for more details.

6.3 PS1

This pin uses together with PS0 to determine the interface protocol between the driver and MCU according to the following table.

Table 3 - PS0 & PS1 Interface

PS0	PS1	Interface
L	L	3-wire SPI (write only)
L	H	4-wire SPI (write only)
H	L	8080 parallel interface (read and write allowed)
H	H	6800 parallel interface (read and write allowed)

6.4 CS#

This pin is chip select input. The chip is enabled for display data/command transfer only when CS# is low.

6.5 D/C#

This input pin is to identify display data/command cycle. When the pin is high, the data written to the driver will be written into display RAM. When the pin is low, the data will be interpreted as command.

6.6 R/W(WR#)

This pin is microprocessor interface signal. When interfacing to an 6800-series microprocessor, the signal indicates read mode when high and write mode when low. When interfacing to an 8080-microprocessor, a data write operation is initiated when R/W(WR#) is low and the chip is selected.

6.7 E(RD#)

This pin is microprocessor interface signal. When interfacing to an 6800-series microprocessor, a data operation is initiated when E(RD#) is high and the chip is selected. When interfacing to an 8080-microprocessor, a data read operation is initiated when E(RD#) is low and the chip is selected.

6.8 D₀ -D₇

These pins are 8-bit bi-directional data bus to be connected to the microprocessor's data bus. When serial mode is selected, D₇ is the serial data input SDA and D₆ is the serial clock input SCK.

6.9 V_{DD}

Power supply pin.

6.10 $R_{V_{SS}}$

Ground reference of Vref.

6.11 $C_{V_{SS}}$

Ground reference of analog circuitry.

6.12 V_{SS}

Ground reference of logic circuitry.

6.13 V_{CI}

Reference voltage input for internal DC-DC converter. The voltage of generated V_{CC} equals to the multiple factor (2X, 3X, 4X or 5X) times V_{CI} with respect to V_{SS} .

Note: Voltage at this input pin must be larger than or equal to V_{DD} .

6.14 V_{out}

This is the most positive voltage supply pin of the chip. It can be supplied externally or generated by the internal regulator.

6.15 V_{L5}, V_{L4}, V_{L3} and V_{L2}

LCD driving voltages. They can be supplied externally or generated by the internal bias divider. They have the following relationship:

$$V_{out} > V_{L5} > V_{L4} > V_{L3} > V_{L2} > V_{SS}$$

Table 4 - $V_{out} > V_{L5} > V_{L4} > V_{L3} > V_{L2} > V_{SS}$ Relationship

	1 : a bias
V_{L5}	$(a-1)/a * V_{out}$
V_{L4}	$(a-2)/a * V_{out}$
V_{L3}	$2/a * V_{out}$
V_{L2}	$1/a * V_{out}$

a is equals to 9 at POR.

6.16 COM0 – COM63

These pins provide the row driving signal COM0 - COM63 to the LCD panel. See figure 5 and figure 6 about the COM signal mapping in different multiplex ratio N.

6.17 ICONS

This pin is the special icons line COM signal output.

6.18 COL0 – COL103

These pins provide the LCD column driving signal. Their voltage level is V_{SS} during sleep mode.

6.19 CL

This pin is the external clock input for the device which is enabled by using an extended command. Under normal operation, this pin should be left opened and internal oscillator will be used after power on reset.

6.20 M

This pin is used for cascade purpose only. Under normal operation, it should be left open.

6.21 MID0~MID2

These pins are used for setting the ID code of LCD panel manufacturer. These pins should be connected to V_{SS} or V_{DD} when NOT IN USE.

6.22 SYNC

This pin is used for cascade purpose only. Under normal operation, it should be left open.

www.DataSheet4U.com

6.23 MODE

This pin is used for setting the display size.

Table 5 – Mode setting

MODE	Remarks:
H	SSD1858 96x65 display mode
L	SSD1858 104x65 display mode

6.24 TEST_IN0~1

These pins is used for internal only and should be connected to V_{ss} .

6.25 TEST0~14

These pins is used for internal only and should be left open, any connection is not allowed.

6.26 N/C

These No Connection pins should NOT be connected to any signal pins nor shorted together. They should be left open.

6.27 Dummy

There are the floating dummy pads without any internal circuitry connection.

7 FUNCTIONAL BLOCK DESCRIPTIONS

7.1 Command Decoder and Command Interface

This module determines whether the input data is interpreted as data or command. Data is directed to this module based upon the input of the D/C# pin. If D/C# is high, data is written to Graphic Display Data RAM (GDDRAM). If D/C# is low, the input at D₀ -D₇ is interpreted as a command and it will be decoded and written to the corresponding command register.

Reset is of the same function as Power ON Reset (POR). Once RES# receives a negative reset pulse of about 1us, all internal circuitry will be back to its initial status. Refer to Command Description section for more information.

7.2 MPU Parallel 6800-series Interface

The parallel interface consists of 8 bi-directional data pins (D₀ - D₇), R/W(WR#), D/C#, E(RD#) and CS#. R/W(WR#) input High indicates a read operation from the Graphic Display Data RAM (GDDRAM) or the status register. R/W(WR#) input Low indicates a write operation to Display Data RAM or Internal Command Registers depending on the status of RS input. The E(RD#) and CS# input serves as data latch signal (clock) when they are high and low respectively. Refer to Figure 14 of parallel timing characteristics for Parallel Interface Timing Diagram of 6800-series microprocessors.

In order to match the operating frequency of display RAM with that of the microprocessor, some pipeline processing is internally performed which requires the insertion of a dummy read before the first actual display data read. This is shown in Figure 3 below.

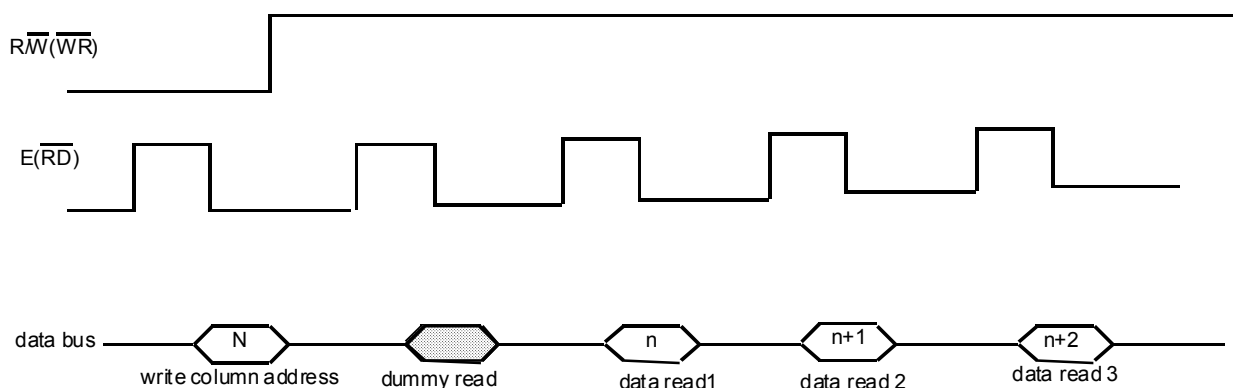


Figure 3 – Display Data Read with the insertion of Dummy Read

7.3 MPU Parallel 8080-series Interface

The parallel interface consists of 8 bi-directional data pins (D₀ - D₇), R/W(WR#), E(RD#), D/C# and CS#. The CS# input serves as data latch signal (clock) when it is low. Whether it is display data or status register read is controlled by D/C#. R/W(WR#) and E(RD#) input indicates a write or read cycle when CS# is low. Refer to Figure 16 of parallel timing characteristics for Parallel Interface Timing Diagram of 8080-series microprocessor.

Similar to 6800-series interface, a dummy read is also required before the first actual display data read.

7.4 MPU Serial 4-wire Interface

The serial interface consists of serial clock SCK, serial data SDA, D/C# and CS#. SDA is shifted into an 8-bit shift register on every rising edge of SCL in the order of D₇, D₆, ... D₀. D/C# is sampled on every eighth clock and the data byte in the shift register is written to the Display Data RAM or command register in the same clock. No extra clock or command is required to end the transmission.

7.5 MPU Serial 3-wire interface

Operation is similar to 4-wire serial interface while D/C# is not been used. The Display Data Length instruction is used to indicate that a specified number display data byte(s) (1-256) are to be transmitted. Next byte after the display data string is handled as a command.

It should be noted that if there is a signal glitch at SCK that causing an out of synchronization in the serial communication, a hardware reset pulse at RES# pin is required to initialize the chip for re-synchronization.

www.DataSheet4U.com

Table 6 -Modes of Operation

	6800 Parallel	8080 Parallel	Serial
Data Read	Yes	Yes	No
Data Write	Yes	Yes	Yes
Command Read	Status only	Status only	No
Command Write	Yes	Yes	Yes

7.6 Graphic Display Data RAM (GDDRAM)

The GDDRAM is a bit mapped static RAM holding the bit pattern to be displayed. The size of the RAM is 104 x 65 x 2 = 13,520bits. Figure 5 is a description of the GDDRAM address map. For mechanical flexibility, re-mapping on both Segment and Common outputs are provided. For vertical scrolling of display, an internal register storing the display start line can be set to control the portion of the RAM data mapped to the display. Figure 5 shows the case in which the display start line register is set at 30H.

For those GDDRAM out of the display common range, they could still be accessed, for either preparation of vertical scrolling data or even for the system usage.

7.7 Oscillator Circuit

This module is an On-Chip low power RC oscillator circuitry (Figure 4). The oscillator generates the clock for the DC-DC voltage converter. This clock is also used in the Display Timing Generator.

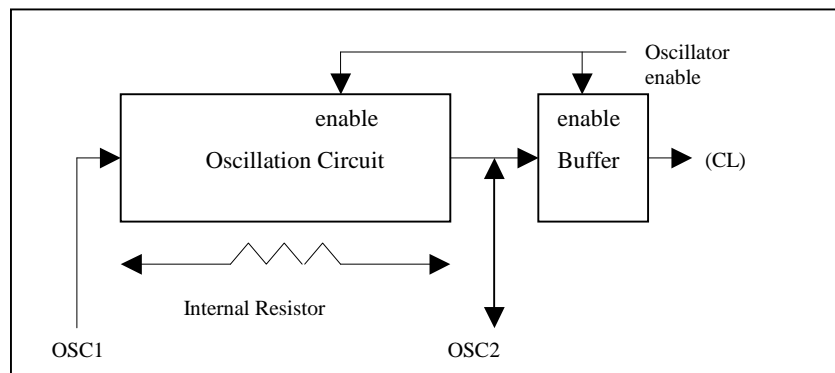


Figure 4 - Oscillator Circuitry

7.8 LCD Driving Voltage Generator and Regulator

This module generates the LCD voltage needed for display output. It takes a single supply input and generates necessary bias voltages.

It consists of:

1. 2X, 3X, 4X and 5X DC-DC voltage converter
2. Bias Divider
If the output op-amp buffer option in Set Power Control Register command is enabled, this circuit block will divide the regulator output (V_{out}) to give the LCD driving levels ($V_{L2} - V_{L5}$). The divider does not require external capacitors to reduce the external hardware and pin counts.
3. Contrast Control
Software control of 64 voltage levels of LCD voltage.
4. Bias Ratio Selection circuitry
Software control of 1/4 to 1/9 bias ratio to match the characteristic of LCD panel.
5. Self adjust temperature compensation circuitry
Provide 5 different compensation grade selections to satisfy the various liquid crystal temperature grades. The grading can be selected by software control. Defaulted temperature coefficient (TC) value is $-0.14\%/^{\circ}\text{C}$.

7.9 169 Bit Latch

A register carries the display signal information. In 104 X 65 display-mode, data will be fed to the HV-buffer Cell and level-shifted to the required level.

7.10 Level selector

Level Selector is a control of the display synchronization. Display voltage can be separated into two sets and used with different cycles. Synchronization is important since it selects the required LCD voltage level to the HV Buffer Cell, which in turn outputs the COM or SEG LCD waveform.

7.11 HV Buffer Cell (Level Shifter)

HV Buffer Cell works as a level shifter, which translated the low voltage output signal to the required driving voltage. The output is shifted out with an internal FRM clock, which comes from the Display Timing Generator. The voltage levels are given by the level selector, which is synchronized with the internal M signal.

7.12 Default Setting after Reset

When RES input is low, the chip is initialized to the following:

Register	Default Value	Descriptions
Page address	0	
Column address	0	
Display ON/OFF	0	Display OFF
Display Start Line	0	GDDRAM page 0,D0
Display Offset	0	COM0 is mapped to ROW0
Mux Ratio	40H	64 Mux
Normal/Reverse Display	0	Normal Display
N-line Inversion	0	No N-line Inversion
Entire Display	0	Entire Display is OFF
DC-DC booster	0	3X booster is selected
Internal Resistor Ratio	0	Gain = 2.84 (IR0)
Contrast	20H	
LCD Bias Ratio	5	1/9 Bias Ratio
Scan direction of COM	0	Normal Scan direction
Segment Re-map	0	Segment re-map is disabled
Internal oscillator	0	Internal oscillator is OFF
Power save mode	0	Power save mode is OFF
Data display length	0	
FRC, PWM Mode	0	4FRC, 9PWM
White Palette	(0, 0, 0, 0)	
Light Gray Palette	(9, 0, 0, 0)	
Dark Gray Palette	(9, 9, 9, 0)	
Black Palette	(9, 9, 9, 9)	
Test mode	0	Test mode is OFF
Temperature coefficient	4	PTC4 (-0.14%/°C)
Icon display	0	Icon display line is OFF
	8	Frame frequency = 157.5Hz (typical)
Power control	0,0,0	Booster, regulator & divider are both disabled

When RESET command is issued, the following parameters are initialized only:

Register	Default Value	Descriptions
Page address	0	
Column address	0	
Display Start Line	0	GDDRAM page 0,D0
Internal Resistor Ratio	0	Gain = 2.84 (IR0)
Contrast	20H	
Data display length	0	
FRC, PWM Mode	0	4FRC, 9PWM
White Palette	(0, 0, 0, 0)	
Light Gray Palette	(9, 0, 0, 0)	
Dark Gray Palette	(9, 9, 9, 0)	
Black Palette	(9, 9, 9, 9)	

7.13 LCD Panel Driving Waveform

The following is an example of how the Common and Segment drivers may be connected to a LCD panel. The waveforms shown in Figure 7 and Figure 8 illustrate the desired multiplex scheme with N-line inversion feature is disabled (default).

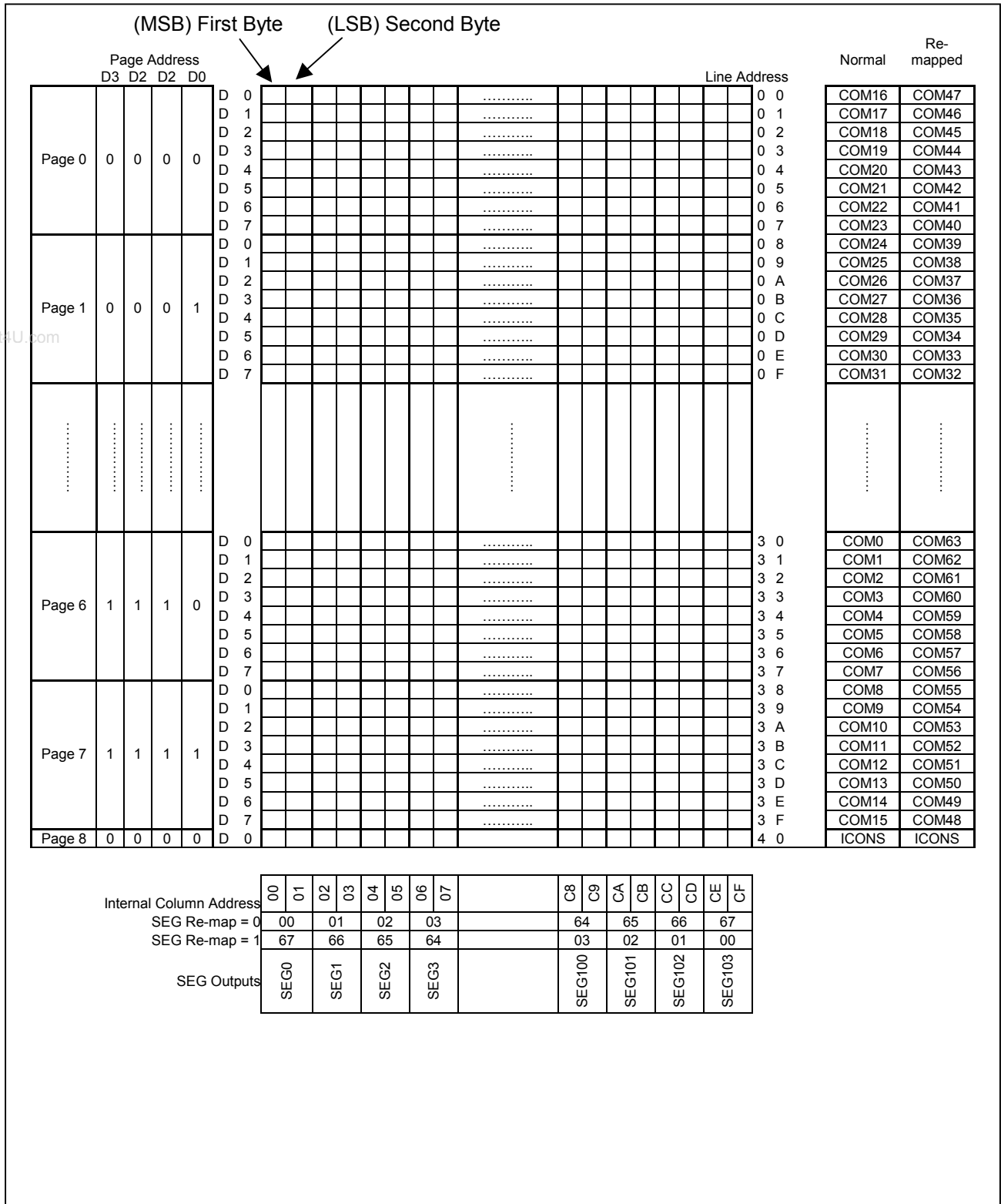


Figure 5 - SSD1858 Graphic Display Data RAM (GDDRAM) Address Map (with vertical scroll value 30H & MODE=L)

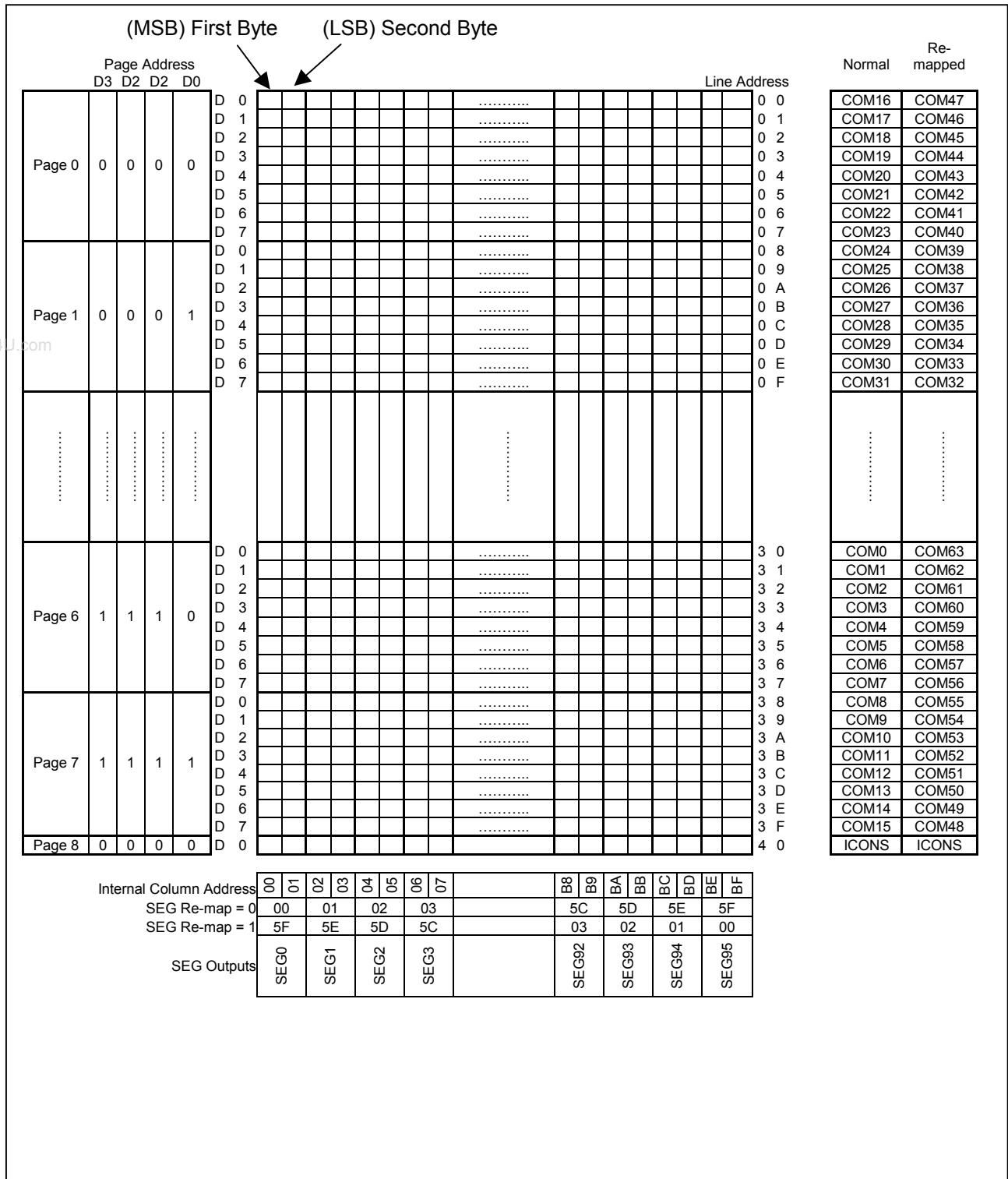


Figure 6 - SSD1858 Graphic Display Data RAM (GDDRAM) Address Map (with vertical scroll value 30H & MODE=H)

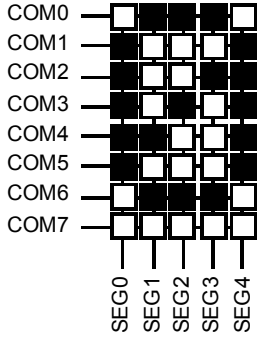
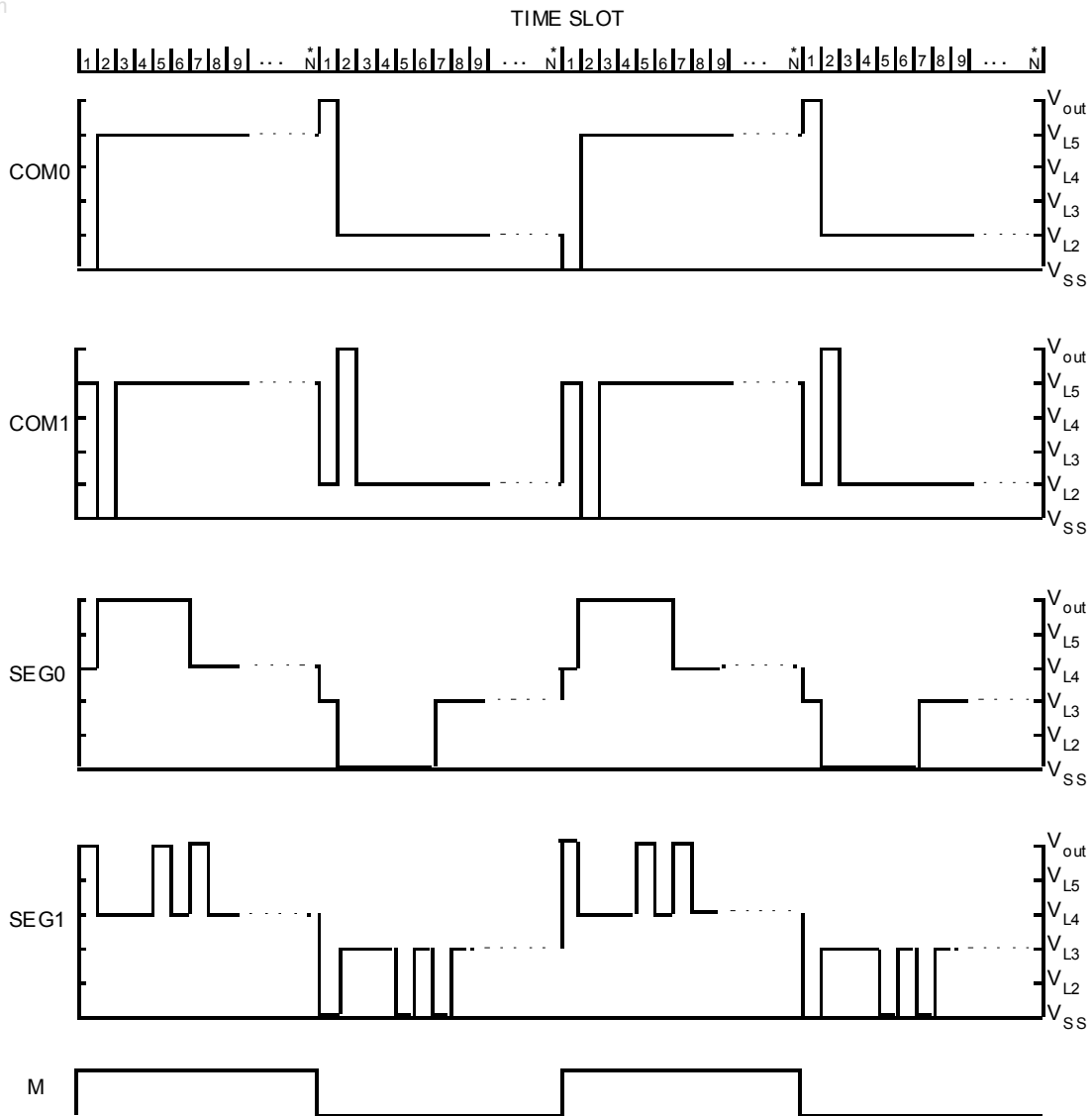


Figure 7 - LCD Display Example "0"

www.DataSheet4U.com



* Note : N is the number of multiplex ratio including loon line if it is enabled, N is equal to 64 on POR.

Figure 8 - LCD Driving Signal from SSD1858

COMMAND TABLE

Table 7 - COMMAND TABLE

Bit Pattern	Command	Description
0000 C ₃ C ₂ C ₁ C ₀	Set Column LSB	Set the lower nibble of the column address pointer for RAM access. The pointer is reset to 0 after reset.
0001 0C ₆ C ₅ C ₄	Set Column MSB	Set the upper nibble of the column address pointer for RAM access. The pointer is reset to 0 after reset.
0010 0R ₂ R ₁ R ₀	Set Internal Resistor Ratio	The internal regulator gain (1+R ₂ /R ₁) V _{out} increases as R ₂ R ₁ R ₀ is increased from 000b to 111b. The factor, 1+R ₂ /R ₁ , is given by: R ₂ R ₁ R ₀ = 000: 2.84 (POR) R ₂ R ₁ R ₀ = 001: 3.71 R ₂ R ₁ R ₀ = 010: 4.57 R ₂ R ₁ R ₀ = 011: 5.44 R ₂ R ₁ R ₀ = 100: 6.30 R ₂ R ₁ R ₀ = 101: 7.16 R ₂ R ₁ R ₀ = 110: 8.03 R ₂ R ₁ R ₀ = 111: 8.89 (Refer to 8.14)
0010 1VC VR VF	Set Voltage Control	VC=0: turn OFF the internal voltage booster (POR) VC=1: turn ON the internal voltage booster & regulator VR=0: turn OFF the internal regulator (POR) VR=1: turn ON the internal regulator & voltage booster VF=0: turn OFF the output op-amp buffer (POR) VF=1: turn ON the output op-amp buffer
0011 1T ₂ T ₁ T ₀	Set TC value	This command set the Temperature Coefficient T ₂ T ₁ T ₀ : 000: -0.01%/°C 001: -0.035%/°C 010: -0.05%/°C 011: -0.083%/°C 100: -0.14%/°C(POR)
0100 00XX XL ₆ L ₅ L ₄ L ₃ L ₂ L ₁ L ₀	Set Initial Display Line	The second command specifies the row address pointer (0-63) of the RAM data to be displayed in COM0. This command has no effect on ICONS. The pointer is set to 0 after reset.
0100 01XX XXC ₅ C ₄ C ₃ C ₂ C ₁ C ₀	Set Initial COM0	The second command specifies the mapping of first display line (COM0) to one of ROW0~63. This command has no effect on ICONS. COM0 is mapped to ROW0 after reset.

Bit Pattern	Command	Description																																				
0100 10XX XD ₆ D ₅ D ₄ D ₃ D ₂ D ₁ D ₀	Set Multiplex Ratio	<p>The second command specifies the number of lines, excluding ICONS, to be displayed. With Icon is disabled (POR), 16~64 Mux could be selected. With Icon enabled, the available Mux are 17~ 65.</p> <table border="1"> <thead> <tr> <th>D₆ – D₀</th> <th>Mux(icon disable)</th> <th>Mux(icon enable)</th> </tr> </thead> <tbody> <tr> <td>000000</td> <td>invalid</td> <td>invalid</td> </tr> <tr> <td>...</td> <td></td> <td></td> </tr> <tr> <td>0001111</td> <td>invalid</td> <td>invalid</td> </tr> <tr> <td>0010000</td> <td>16</td> <td>17</td> </tr> <tr> <td>0010001</td> <td>17</td> <td>18</td> </tr> <tr> <td>...</td> <td></td> <td></td> </tr> <tr> <td>1000000</td> <td>64</td> <td>65</td> </tr> <tr> <td>1000001</td> <td>invalid</td> <td>invalid</td> </tr> <tr> <td>1000010</td> <td>invalid</td> <td>invalid</td> </tr> <tr> <td>...</td> <td></td> <td></td> </tr> <tr> <td>1111111</td> <td>invalid</td> <td>invalid</td> </tr> </tbody> </table>	D ₆ – D ₀	Mux(icon disable)	Mux(icon enable)	000000	invalid	invalid	...			0001111	invalid	invalid	0010000	16	17	0010001	17	18	...			1000000	64	65	1000001	invalid	invalid	1000010	invalid	invalid	...			1111111	invalid	invalid
D ₆ – D ₀	Mux(icon disable)	Mux(icon enable)																																				
000000	invalid	invalid																																				
...																																						
0001111	invalid	invalid																																				
0010000	16	17																																				
0010001	17	18																																				
...																																						
1000000	64	65																																				
1000001	invalid	invalid																																				
1000010	invalid	invalid																																				
...																																						
1111111	invalid	invalid																																				
0100 11XX XXXN ₄ N ₃ N ₂ N ₁ N ₀	Set N-line Inversion	<p>The second command sets the n-line inversion register from 3 to 33 lines to reduce display crosstalk. Register values from 00001b to 11111b are mapped to 3 lines to 33 lines respectively. Value 00000b disables the N-line inversion, which is the POR value.</p> <p>To avoid a fix polarity at some lines, it should be noted that the total number of Mux (including the icon line) should NOT be a multiple of the lines of inversion (n).</p> <table border="1"> <thead> <tr> <th>N₄ – N₀</th> <th>n-line inversion</th> </tr> </thead> <tbody> <tr> <td>00000</td> <td>Exit n-line inversion</td> </tr> <tr> <td>00001</td> <td>3 lines</td> </tr> <tr> <td>00010</td> <td>4 lines</td> </tr> <tr> <td>...</td> <td></td> </tr> <tr> <td>11101</td> <td>31 lines</td> </tr> <tr> <td>11110</td> <td>32 lines</td> </tr> <tr> <td>11111</td> <td>33 lines</td> </tr> </tbody> </table>	N ₄ – N ₀	n-line inversion	00000	Exit n-line inversion	00001	3 lines	00010	4 lines	...		11101	31 lines	11110	32 lines	11111	33 lines																				
N ₄ – N ₀	n-line inversion																																					
00000	Exit n-line inversion																																					
00001	3 lines																																					
00010	4 lines																																					
...																																						
11101	31 lines																																					
11110	32 lines																																					
11111	33 lines																																					
0101 0B ₂ B ₁ B ₀	Set LCD Bias	<p>Sets the LCD bias from 1/4 ~ 1/9 according to B₂B₁B₀:</p> <p>000: 1/4 bias 001: 1/5 bias 010: 1/6 bias 011: 1/7 bias 100: 1/8 bias 101: 1/9 bias (POR) 110: 1/9 bias 111: 1/9 bias</p>																																				
0110 01B ₁ B ₀	Set Boost Level	<p>Set the DC-DC multiplying factor from 2X to 5X</p> <p>B₁B₀: 00: 3X (POR) 01: 4X 10: 5X 11: 2X</p>																																				
1000 0001 XXC ₅ C ₄ C ₃ C ₂ C ₁ C ₀	Set Contrast Level	<p>The second command sets one of the 64 contrast levels. The darkness increase as the contrast level increase.</p>																																				

1000 1000 WB ₃ WB ₂ WB ₁ WB ₀ WA ₃ WA ₂ WA ₁ WA ₀	Set White Mode, Frame 2 nd & 1 st	Set gray scale mode and register. These are two-byte commands used to specify the contrast levels for the gray scale, 4 levels available. After power on reset: WA0~3 = WB0~3 = WC0~3 = WD0~3 = 0000 LA0~3 = 1001 LB0~3 = LC0~3 = LD0~3 = 0000 DA0~3 = DB0~3 = DC0~3 = 1001 DD0~3 = 0000 BA0~3 = BB0~3 = BC0~3 = BD0~3 = 1001
1000 1001 WD ₃ WD ₂ WD ₁ WD ₀ WC ₃ WC ₂ WC ₁ WC ₀	Set White Mode, Frame 4 th & 3 rd	
1000 1010 LB ₃ LB ₂ LB ₁ LB ₀ LA ₃ LA ₂ LA ₁ LA ₀	Set Light Gray Mode, Frame 2 nd & 1 st	
1000 1011 LD ₃ LD ₂ LD ₁ LD ₀ LC ₃ LC ₂ LC ₁ LC ₀	Set Light Gray Mode, Frame 4 th & 3 rd	
1000 1100 DB ₃ DB ₂ DB ₁ DB ₀ DA ₃ DA ₂ DA ₁ DA ₀	Set Dark Gray Mode, Frame 2 nd & 1 st	
1000 1101 DD ₃ DD ₂ DD ₁ DD ₀ DC ₃ DC ₂ DC ₁ DC ₀	Set Dark Gray Mode, Frame 4 th & 3 rd	
1000 1110 BB ₃ BB ₂ BB ₁ BB ₀ BA ₃ BA ₂ BA ₁ BA ₀	Set Black Mode, Frame 2 nd & 1 st	
1000 1111 BD ₃ BD ₂ BD ₁ BD ₀ BC ₃ BC ₂ BC ₁ BC ₀	Set Black Mode, Frame 4 th & 3 rd	

Memory Content		Gray Mode
1 st Byte	2 nd Byte	
0	0	White
0	1	Light Gray
1	0	Dark Gray
1	1	Black

Bit Pattern	Command	Description
1001 0 FRC PWM1 PWM0	Set PWM and FRC	Set PWM and FRC for gray-scale operation. FRC = 0 : 4-frame (POR) FRC = 1 : 3-frame PWM = 00 & 01 : 9-levels (POR) PWM = 10 : 12-levels PWM = 11 : 15-levels
1010 000S ₀	Set Segment Re-map	MODE=0 S ₀ =0: column address 00H is mapped to SEG0 (POR) S ₀ =1: column address 67H is mapped to SEG0 MODE=1 S ₀ =0: column address 00H is mapped to SEG0 (POR) S ₀ =1: column address 5FH is mapped to SEG0
1010 001C ₀	Icon Control Register ON/OFF	C ₀ =0: Disable icon row (Mux = 16 to 64, POR) C ₀ =1: Enable icon row (Mux = 17 to 65)
1010 010E ₀	Entire Display Select	E ₀ =0: Normal display (display according to RAM contents, POR) E ₀ =1: All pixels are ON regardless of the RAM contents *Note: This command will override the effect of "Set Normal/Invert Display"
1010 011R ₀	Invert Display Select	R ₀ =0: Normal display (display according to RAM contents, POR) R ₀ =1: Invert display (ON and OFF pixels are inverted) *Note: This command will not affect the display of the icon lines
1010 1001	Power Save Mode	Sleep Mode: Oscillator: OFF LCD Power Supply: OFF COM/SEG Outputs: V _{SS}
1010 1011	Start Internal Oscillator	This command starts the internal oscillator. Note that the oscillator is OFF after reset, so this instruction must be executed for initialization
1010 111D ₀	Display On/Off	Turn the display on and off without modifying the content of the RAM. (0: off, 1: on) This command has priority over Entire Display On/Off and Invert Display On/Off. Commands are accepted while the display is off, but the visual state of the display does not change.
1011 P ₃ P ₂ P ₁ P ₀	Set Page Address	Select the page of display RAM to be addressed. Pages 0-8 are valid.
1100 S ₀ XXX	Set COM Scan Direction	Set the COM (row) scanning direction. (0: COM0 →COM63, 1: COM63 →COM0)
1110 0001	Exit Power-save Mode	Return the driver/controller from the sleep mode.
1110 0010	Reset	Reset some functions of the driver/controller. See Reset Section below for more details.
1110 0100	Release N-line Inversion Mode	Release the driver/controller from N-line inversion mode.
1110 1000 D ₇ D ₆ D ₅ D ₄ D ₃ D ₂ D ₁ D ₀	Display Data Length	This command is used in 3-line SPI mode (without RS line) to specify that the controller is about to send display data to the display RAM. Eight bits are used to specify the number of bytes to be sent (1 to 256 bytes). The second command received after the display data is transmitted is assumed to be command data.

Bit Pattern	Command	Description
1101 1F ₂ F ₁ F ₀	Set Frame Frequency	This command is used to set the frame frequency. F ₂ F ₁ F ₀ Frame Frequency (typical) 000 70 001 78.5 010 88.5 011 100 100 115 101 130 110 140 111 157.5(POR)

Table 8 – Extended Command Table

Bit Pattern	Command	Comment
1000 0010 0001X ₃ X ₂ X ₁ X ₀	OTP setting	Set the desired Vout voltage value: 0000: original contrast 0001: original contrast +1 step 0010: original contrast +2 steps 0011: original contrast +3 steps 0100: original contrast +4 steps 0101: original contrast +5 steps 0110: original contrast +6 steps 0111: original contrast +7 steps 1000: original contrast -8 steps 1001: original contrast -7 steps 1010: original contrast -6 steps 1011: original contrast -5 steps 1100: original contrast -4 steps 1101: original contrast -3 steps 1110: original contrast -2 steps 1111: original contrast -1 step
1000 0011	OTP programming	This command start program LCD driver with OTP offset value. This command only execute once. No effect on the second run. Detail of OTP programming procedure on P.31
1111 0010 000X ₀ 0000	Enable external oscillator input	Select external oscillator input form CL pin. X ₀ = 0 : (POR) internal RC oscillator X ₀ = 1 : external square wave
Other than above	Reserved	

7.14 Read Status Byte

An 8 bits status byte will be placed to the data bus if a read operation is performed if D/C# is low. The status byte is defined as follow.

Table 9 - Read Status Byte

Bit Pattern	Command	Comment
BUSY ON RES# MF2 MF1 MF0 DS1 DS0	Read Status	BUSY=0: Chip is idle BUSY=1: Chip is executing instruction ON=0: Display is OFF ON=1: Display is ON RES#=0: Chip is idle RES#=1: Chip is executing reset MF2-MF0: Manufacturer device ID DS1,DS0 : 0 0 : 64-row driver 0 1 : 80-row driver 1 0 : 128-row,4 G/S driver

7.15 Data Read / Write

To read data from the GDDRAM, input High to R/W(WR#) pin and D/C# pin for 6800-series parallel mode. Low to E(RD#) pin and High to RS pin for 8080-series parallel mode. No data read is provided for serial mode. In normal mode, GDDRAM column address pointer will be increased by one automatically after each data read. Also, a dummy read is required before the first data is read. See Figure 3 in Functional Description.

To write data to the GDDRAM, input Low to R/W(WR#) pin and High to D/C# pin for 6800-series parallel mode. For serial interface, it will always be in write mode. GDDRAM column address pointer will be increased by one automatically after each data write. The address will be reset to 0 in next data read/write operation is executed when it is 95.

Remarks: Only read data on Page 0 to Page 7 of the GDDRAM. The data on Icon page (page 8) cannot be read.

Table 10 - Address Increment Table

RS	R/W (WR)	Comment	Address Increment
0	0	Write Command	No
0	1	Read Status	No
1	0	Write Data	Yes
1	1	Read Data	Yes

Address Increment is done automatically after data read/write. The column address pointer of GDDRAM is also affected. It will be reset to 0 in next data read/write operation is executed when it is 95.

Table 11 - Commands Required for R/W (WR#) Actions on RAM

R/W (WR) Actions on RAMs	Commands Required
Read/write Data from/to GDDRAM	Set GDDRAM Page Address (1011X ₃ X ₂ X ₁ X ₀)* Set GDDRAM Column Address (0001X ₃ X ₂ X ₁ X ₀)* Read/Write Data (0000X ₃ X ₂ X ₁ X ₀)* (X ₇ X ₆ X ₅ X ₄ X ₃ X ₂ X ₁ X ₀)

* No need to resend the command again if it is set previously.

The read / write action to the Display Data RAM does not depend on the display mode. This means the user can change the RAM content whether the target RAM content is being displayed or not.

8 COMMAND DESCRIPTIONS

8.1 Set Display On/Off

This command turns the display on/off, by the value of the LSB.

8.2 Set Display Start Line

This command is to set Display Start Line register to determine starting address of display RAM to be displayed by selecting a value from 0 to 63. With value equals to 0, D0 of Page 0 is mapped to COM0. With value equals to 1, D1 of Page0 is mapped to COM0. The display start line values of 0 to 63 are assigned to Page 0 to 7.

8.3 Set Page Address

This command positions the page address to 0 to 8 possible positions in GDDRAM. Refer to Figure 5.

8.4 Set Higher Column Address

This command specifies the higher nibble of the 7-bit column address of the display data RAM. The column address will be incremented by each data access after it is pre-set by the MCU and returning to 0 once overflow (>95 when MODE=1 OR >103 when MODE=0).

8.5 Set Lower Column Address

This command specifies the lower nibble of the 7-bit column address of the display data RAM. The column address will be incremented by each data access after it is pre-set by the MCU and returning to 0 once overflow (>95 when MODE=1 OR >103 when MODE=0).

8.6 Set Temperature Coefficient (TC) Value

This command is to set 1 out of 5 different temperature coefficients in order to match various liquid crystal temperature grades (-0.14% / °C – POR).

8.7 Set Segment Re-map

This commands changes the mapping between the display data column address and segment driver. It allows flexibility in layout during LCD module assembly. Refer to Figure 5.

8.8 Set Normal/Reverse Display

This command sets the display to be either normal/reverse. In normal display, a RAM data of 1 indicates an “ON” pixel while in reverse display; a RAM data of 0 indicates an “ON” pixel. The icon line is not affected by this command.

8.9 Set Entire Display On/Off

This command forces the entire display, including the icon row, to be “ON” regardless of the contents of the display data RAM. This command has priority over normal/reverse display. To execute this command, Set Display On command must be sent in advance.

8.10 Set LCD Bias

This command selects a suitable bias ratio (1/4 to 1/9) required for driving the particular LCD panel in use. The POR is set to 1/9 bias.

8.11 Software Reset

This command causes some of the internal status of the chip to be initialized:

Register	Default Value	Descriptions
Page address	0	
Column address	0	
Display Start Line	0	GDDRAM page 0,D0
Internal Resistor Ratio	0	Gain = 2.84(IR0)
Contrast	20H	
Data display length	0	
FRC, PWM Mode	0	4FRC, 9PWM
White Palette	(0, 0, 0, 0)	
Light Gray Palette	(9, 0, 0, 0)	
Dark Gray Palette	(9, 9, 9, 0)	
Black Palette	(9, 9, 9, 9)	

8.12 Set COM Output Scan Direction

This command sets the scan direction of the COM output allowing layout flexibility in LCD module assembly.

8.13 Set Power Control Register

This command turns on/off the various power circuits associated with the chip. There are three power relating sub-circuits could be turned on/off by this command.

Internal voltage booster is used to generate the highest positive voltage supply internally from the voltage input ($V_{CI} - V_{SS}$).

Internal regulator is used to generate the LCD driving volt-age. V_{out} , from the booster output (internal use only).

Output op-amp buffer is the internal divider for dividing the different voltage levels (V_{L2} , V_{L3} , V_{L4} , V_{L5}) from the internal regulator output, V_{out} . External voltage sources should be fed into this driver if this circuit is turned off.

8.14 Set Internal Regulator Resistors Ratio

This command is to enable any one of the eight internal resistor (IRS) settings for different regulator gains when using internal regulator resistor network. The Contrast Control Voltage Range curves is referred to the following formula:

$$V_{out} = \left(1 + \frac{R_2}{R_1}\right) * V_{con}$$

$$V_{con} = \left(1 - \frac{63 - \alpha}{210}\right) * V_{ref} \quad , \text{where } V_{ref} = 1.7V$$

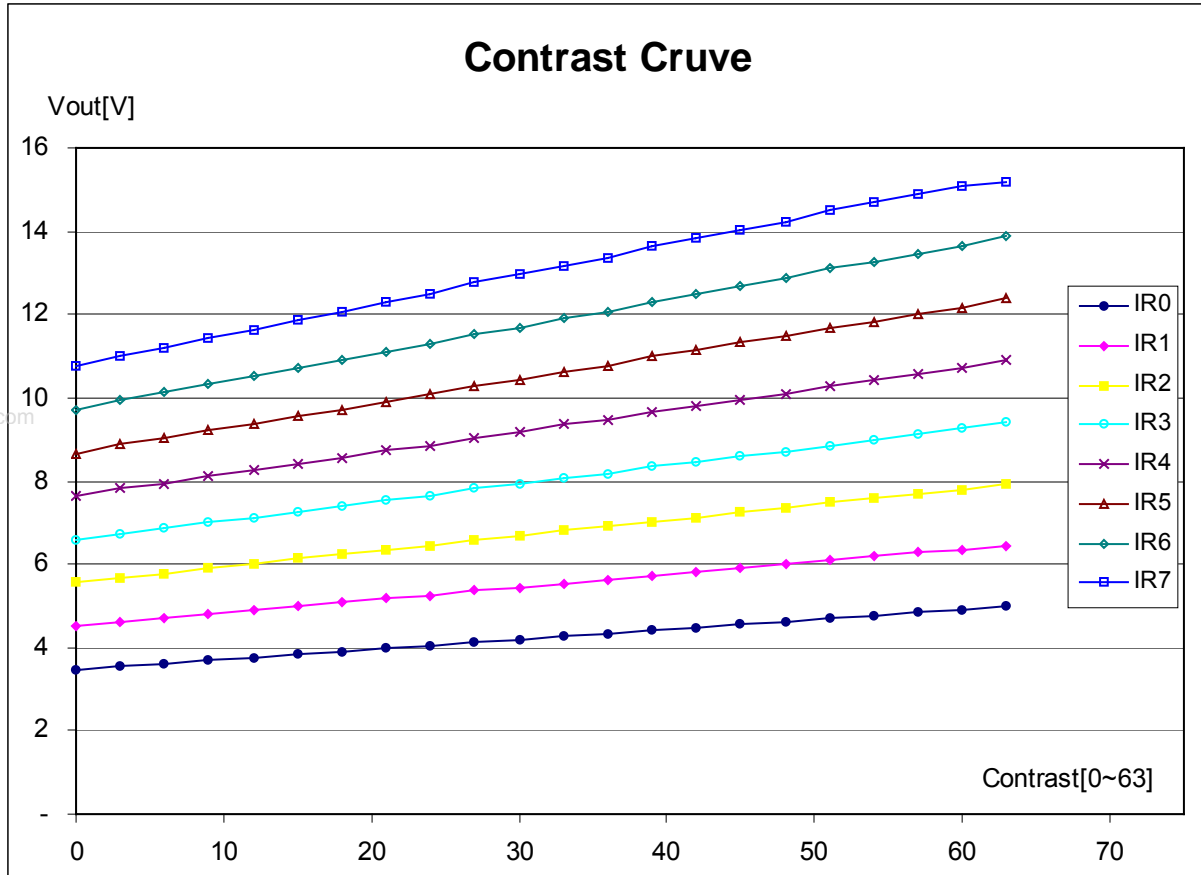


Figure 9 - Contrast Control Voltage Range Curve (TC=-0.14%/°C; V_{DD} =2.775V; V_{CI} =3.5V)

8.15 Set Contrast Control Register

This command adjusts the contrast of the LCD panel by changing V_{out} of the LCD drive voltage provided by the On-Chip power circuits. V_{out} is set with 64 steps (6-bit) contrast control register. It is a compound commands:

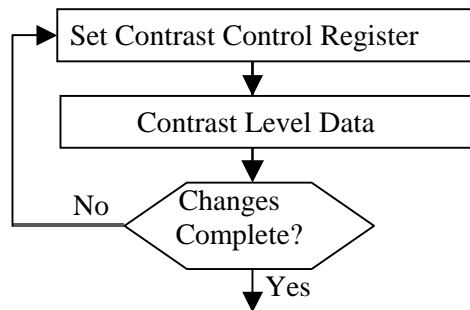


Figure 10 - Contrast Control Flow

8.16 Set frame frequency

This command specifies the frame frequency so as to minimize the flickering due to the ac main frequency. The frequency is set to 157.5Hz (typical) at 64 Mux after POR.

8.17 Set Multiplex Ratio

This command switches default 64 multiplex modes to any multiplex from 16 to 64, if Icon is disabled (POR). When Icon is set enable, the corresponding multiplex ratio setting will be mapped to 17 to 65. The chip pads ROW0-ROW63 will be switched to corresponding COM signal output as specified in Table 2.

8.18 Set Power Save Mode

This command can force the chip to enter Standby or Sleep Mode. LSB of the command will define which mode will be entered.

8.19 Exit Power Save Mode

This command releases the chip from Sleep Mode and return to normal operation.

8.20 Set N-line Inversion

Number of line inversion is set by this command for reducing crosstalk noise. 3 to 33-line inversion operations could be selected. At POR, this operation is disabled. It should be noted that the total number of mux (including the icon line) should NOT be a multiple of the inversion number (n). Or else, some lines will not change their polarity during frame change.

8.21 Exit N-line Inversion

This command releases the chip from N-line inversion mode. The driving waveform will be inverted once per frame after issuing this command.

8.22 Set DC-DC Converter Factor

Internal DC-DC converter factor is set by this command. For SSD1858, 2X to 5X multiplying factors could be selected. 2X to 5X factors are selected using this command.

8.23 Set Icon Enable

This command enable/disable the Icon display.

8.24 Start Internal Oscillator

After POR, the internal oscillator is OFF. It should be turned ON by sending this command to the chip.

8.25 Set Display Data Length

This two-bytes command only valid when 3-wire SPI configuration is set by H/W input (PS0=PS1=L). The second 8-bit is used to indicate that a specified number display data byte(s) (1-256) are to be transmitted. Next byte after the display data string is handled as a command.

8.26 Set Test Mode

This command forces the driver chip into its test mode for internal testing of the chip. Under normal operation, user should NOT use this command.

8.27 Status register Read

This command is issued by setting D/C# Low during a data read (refer to Figure 14 and Figure 16 parallel interface waveform). It allows the MCU to monitor the internal status of the chip. No status read is provided for serial mode.

8.28 Set Gray Scale Mode (White/Light Gray/Dark Gray/Black)

Command 84(hex) to 8F(hex) are used to specify the four gray levels' pulse width at the four possible frames. The four gray levels are called white, light gray, dark gray and black. Each level is defined by 4 registers for 4 consecutive frames. For example, WA is a 4-bit register to define the pulse width of the 1st frame in White mode. WB is a register for 2nd frame in White mode etc. Each command specifies two registers.

For 4 FRC,

Memory Content		Gray Mode	FRAME			
1 st Byte	2 nd Byte		1 st	2 nd	3 rd	4 th
0	0	White	WA	WB	WC	WD
0	1	Light Gray	LA	LB	LC	LD
1	0	Dark Gray	DA	DB	DC	DD
1	1	Black	BA	BB	BC	BD

For 3 FRC,

Memory Content		Gray Mode	FRAME			
1 st Byte	2 nd Byte		1 st	2 nd	3 rd	4 th (No use)
0	0	White	WA	WB	WC	WD (XX)
0	1	Light Gray	LA	LB	LC	LD (XX)
1	0	Dark Gray	DA	DB	DC	DC (XX)
1	1	Black	BA	BB	BC	BC (XX)

8.29 Set PWM and FRC

This command selects the number of frames in frame rate control, or the number of levels in the pulse width modulation.

EXTENDED COMMANDS

These commands are used, in addition to basic commands, to trigger the enhanced features, on top of general ones, designed for the chip.

8.30 OTP setting and programming

OTP (One Time Programming) is a method to adjust Vout. In order to eliminate the variations of LCD module in term of contrast level, OTP can be used to achieve the best contrast of every LCD modules.

OTP setting and programming should include two major steps of (1) Find the OTP offset and (2) OTP programming as following,

Step 1. Find OTP offset

- (1) Hardware Reset (sending an active low reset pulse to RES# pin)
- (2) Send original initialization routines
- (3) Set and display any test patterns
- (4) Adjust the contrast value (0x81, 0x00~0x3F) until there is the best visual contrast
- (5) OTP setting steps = Contrast value of the best visual contrast - Contrast value of original initialization

Example 1:

Contrast value of original initialization = 0x20
Contrast value of the best visual contrast = 0x24
OTP setting steps = 0x24 - 0x20 = +4
OTP setting commands should be (0x82, 0x14)

Example 2:

Contrast value of original initialization = 0x20
Contrast value of the best visual contrast = 0x1B
OTP setting steps = 0x1B - 0x20 = -5
OTP setting commands should be (0x82, 0x1B)

Step 2. OTP programming

- (6) Hardware Reset (sending an active low reset pulse to RES# pin)
- (7) Enable Oscillator (0xAB)
- (8) Connect an external Vout (see diagram below)
- (9) Send OTP setting commands that we find in step 1 (0x82, 0x10~0x1F)
- (10) Send OTP programming command (0x83)
- (11) Wait at least 2 seconds
- (12) Hardware Reset

Verify the result by repeating step 1. (2) – (3)

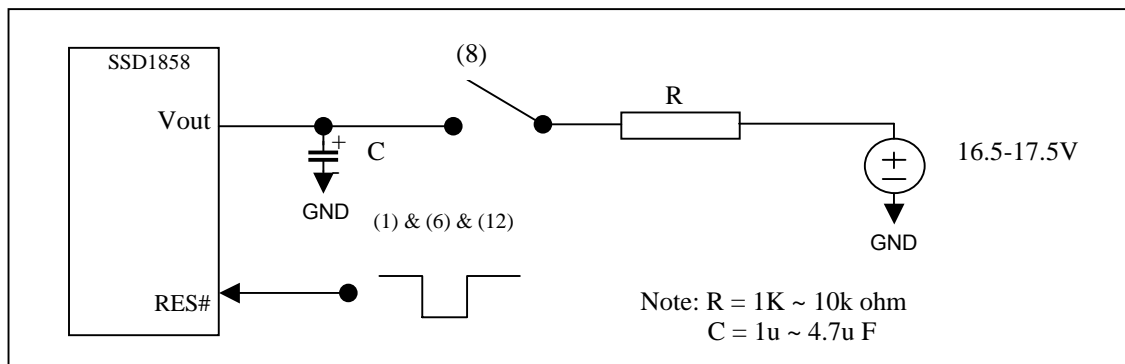


Figure 11 - OTP programming circuitry

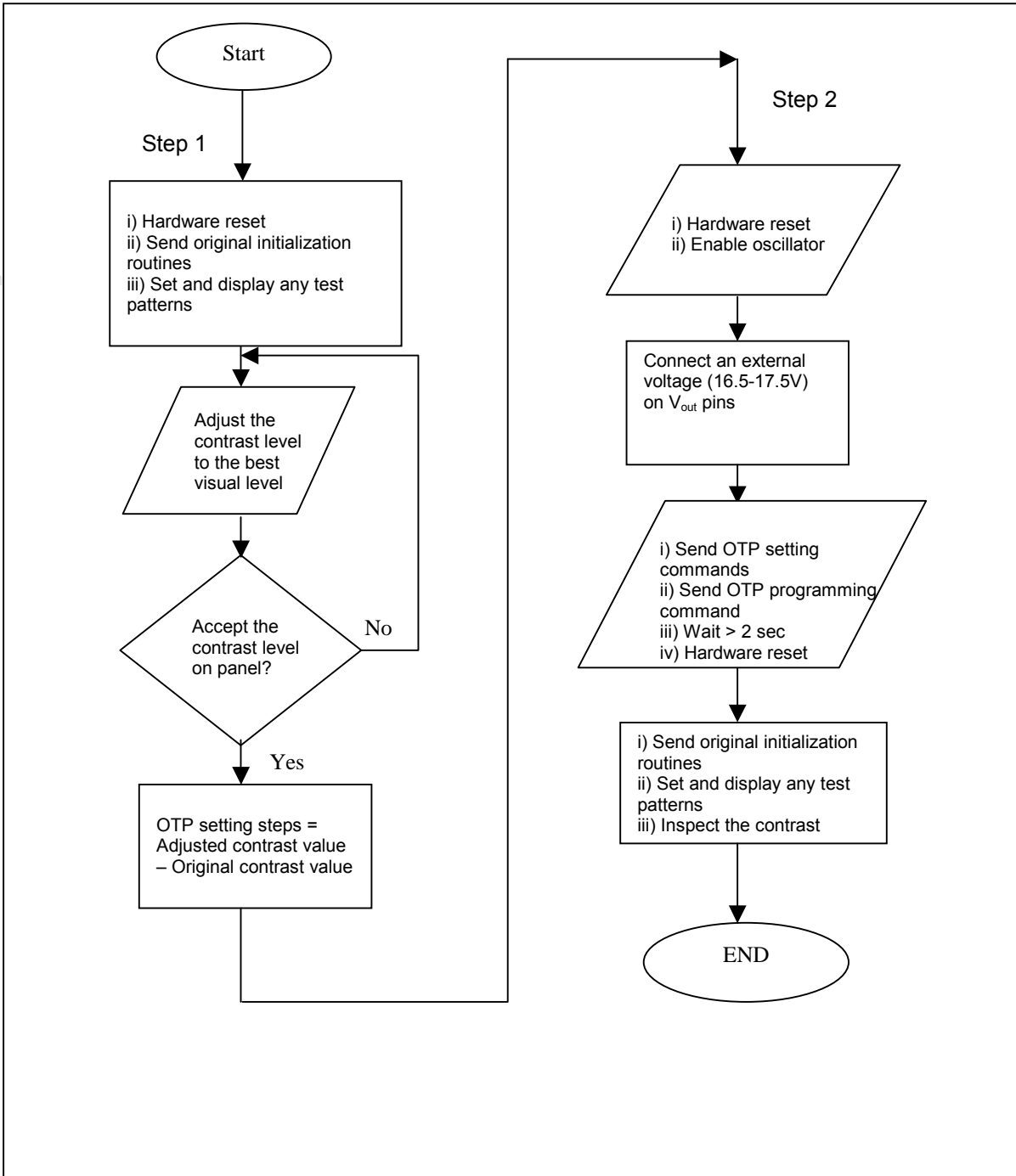


Figure 12 - Flow chart of OTP program

OTP Example program

Find the OTP offset:

1. Hardware reset by sending an active low reset pulse to RES# pin
2. COMMAND(0XAB) \\ Enable oscillator
 COMMAND(0X2F) \\ Turn on the internal voltage booster, internal regulator and
 output op-amp buffer; Select booster level
3. COMMAND(0X48) \\ Set Duty ratio
 COMMAND(0X40) \\ 64Mux
 COMMAND(0X55) \\ Set Biasing ratio (1/9 BIAS)
4. COMMAND(0X81) \\ Set target gain and contrast.
 COMMAND(0X2D) \\ Contrast = 45
 COMMAND(0X24) \\ Gain = 6.3
5. \\ Set target display contents
 COMMAND(0XB0) \\ Set page address
 COMMAND(0x00) \\ Set lower nibble column address
 COMMAND(0X10) \\ Set higher nibble column address
 DATA(...) \\ Write test patterns to GDDRAM
 COMMAND(0XAF) \\ Set Display On
6. OTP offset calculation... target OTP offset value is +3

OTP programming:

7. Hardware reset by sending an active low reset pulse to RES# pin
8. COMMAND(0XAB) \\ Enable Oscillator
9. Connect an external Vout (16.5V-17.5V)
10. COMMAND(0X82) \\ Set OTP offset value to +3 (0011)
 COMMAND(0X13) \\ 0001 X₃X₂X₁X₀, where X₃X₂X₁X₀ is the OTP offset value
11. COMMAND(0X83) \\ Send the OTP programming command.
12. Wait at least 2 seconds for programming wait time.
13. Hardware reset by sending an active low reset pulse to RES# pin
14. **Verify the result:**
15. After OTP programming, procedure 2 to 5 are repeated for inspection of the contrast on the panel

8.31 Enable External Oscillator Input

This command enables the external clock input from CL pin and expected external square wave is 726kHz.

9 MAXIMUM RATINGS

Table 12 - Maximum Ratings (Voltage Referenced to V_{SS})

Symbol	Parameter	Value	Unit
V_{DD}	Supply Voltage	-0.3 to 5.5	V
V_{CC}		$V_{SS} - 0.3$ to $V_{SS} + 12.0$	V
V_{CI}	Booster Supply Voltage	$V_{DD} + 5.5$	V
V_{in}	Input Voltage	$V_{SS} - 0.3$ to $V_{DD} + 0.3$	V
I	Current Drain Per Pin Excluding V_{DD} and V_{SS}	25	mA
T_A	Operating Temperature	-40 to +85	°C
T_{stg}	Storage Temperature Range	-65 to +150	°C

www.DataSheet4U.com

* Maximum Ratings are those values beyond which damage to the device may occur. Functional operation should be restricted to the limits in the Electrical Characteristics tables or Pin Description section.

This device contains circuitry to protect the inputs against damage due to high static voltages or electric fields; however, it is advised that normal precautions be taken to avoid application of any voltage higher than maximum rated voltages to this high impedance circuit. For proper operation it is recommended that V_{in} and V_{out} be constrained to range $V_{SS} < \text{or} = (V_{in} \text{ or } V_{out}) < \text{or} = V_{DD}$. Reliability of operation is enhanced if unused inputs are connected to an appropriate logic voltage level (e.g. either V_{SS} or V_{DD}). Unused outputs must be open. This device may be light sensitive. Caution should be taken to avoid exposure of this device any light source during normal operation. This device is not radiation protected.

10 DC CHARACTERISTICS

Table 13 - DC Characteristics (Unless otherwise specified, Voltage Referenced to V_{SS} , $V_{DD} = 1.8$ to $3.3V$, $T_A = -40$ to $85^\circ C$)

Symbol	Parameter	Test Condition	Min	Typ	Max	Unit
V_{DD}	Logic Circuit Supply Voltage Range	(Absolute value referenced to V_{SS})	1.8	2.7	3.3	V
V_{CI}	Booster Voltage Supply Pin	(Absolute value referenced to V_{SS})	V_{DD}	-	3.6	V
V_{REF}	Internal Reference Voltage ($25^\circ C$, $-0.14\%/^\circ C$)	Internal Reference Voltage Source Enabled (REF pin pulled High), V_{EXT} pin NC.	-	1.7	-	V
I_{AC}	Access Mode Supply Current Drain (V_{DD} Pins)	$V_{DD} = 2.7V$, Voltage Generator On, 5X DC-DC Converter Enabled, Write accessing, $T_{cyc} = 3.3MHz$, Frame Freq. = 157.5Hz, Display On.	-	0.9	2	mA
I_{DP1}	Display Mode Supply Current Drain (V_{DD} & V_{CI} Pins)	$V_{DD} = V_{CI} = 2.7V$, Voltage Generator ON, internal Divider Enabled. Read/Write Halt, Frame Freq. = 157.5Hz, Display On, $V_{out} = 10.0V$.	-	220	300	μA
I_{DP2}	Display Mode Supply Current Drain (V_{DD} & V_{CI} Pins)	$V_{DD} = V_{CI} = 1.8V$, Voltage Generator OFF, DC-DC Converter Disabled, Internal Divider Disable. Read/Write Halt, Frame Freq. = 157.5Hz, Display On, $V_{out} = 8.0V$, no panel loading.	-	75	150	μA
I_{VCI}	Operating Current (V_{CI} Pin) ($25^\circ C$, $-0.14\%/^\circ C$)	$V_{DD} = V_{CI} = 2.75V$, Voltage Generator On, 4X DC-DC Converter Enabled, Internal Divider Enabled. Read/Write Halt, Frame Freq. = 157.5Hz, Display On, $V_{out} = 7.5V$, no panel loading, checker board pattern.	-	220	300	μA
I_{SLEEP}	Sleep Mode Supply Current Drain (V_{DD} Pins)	$V_{DD} = 2.7V$, LCD Driving Waveform Off, Oscillator Off, Read/Write halt.	-	1.2	2.5	μA
V_{out}	LCD Driving Voltage Generator Output (V_{out} Pin)	Display On, Voltage Generator Enabled, DC/DC Converter Enabled, Regulator Enabled, Frame Freq. = 157.5Hz,	4.0	-	12.0	V
	DC-DC Converter Efficiency	80uA panel loading	-	85	-	%
V_{LCD}	LCD Driving Voltage Input (V_{out} Pin)	Voltage Generator Disabled	4.0	-	12.0	V
V_{OH1} V_{OL1}	Output High Voltage (D_0 - D_7) Out Low Voltage (D_0 - D_7)	$I_{out} = +500\mu A$ $I_{out} = -500\mu A$	$0.8 \cdot V_{DD}$ 0	- -	V_{DD} $0.2 \cdot V_{DD}$	V_{LCD} V
V_{out}	LCD Driving Voltage Source (V_{out} Pin)	Regulator Enabled (V_{out} voltage depends on Internal contrast Control)	V_{DD}	-	12.0	V

Symbol	Parameter	Test Condition	Min	Typ	Max	Unit
V _{out}	LCD Driving Voltage Source (V _{out} Pin)	Regulator Disable	-	Floating	-	V
V _{IH1}	Input high voltage (RES#, PS0, PS1, CS#, D/C#, R/W(WR#), D ₀ -D ₇)		0.8*V _{DD}	-	V _{DD}	V
V _{IL1}	Input low voltage (RES#, PS0, PS1, CS#, D/C#, R/W(WR#), D ₀ -D ₇)		0	-	0.2*V _{DD}	V
V _{out}	LCD Display Voltage Output (V _{out} , V _{L5} , V _{L4} , V _{L3} , V _{L2} Pins)	Bias Divider Enabled, 1:a bias ratio	-	V _{out}	-	V
V _{L5}			-	(a-1)/a*V _{out}	-	V
V _{L4}			-	(a-2)/a*V _{out}	-	V
V _{L3}			-	2/a* V _{out}	-	V
V _{L2}			-	1/a* V _{out}	-	V
V _{out}	LCD Display Voltage Input (V _{out} , V _{L5} , V _{L4} , V _{L3} , V _{L2} Pins)	Voltage reference to V _{SS} , External Voltage Generator, Bias Diver Disabled	V _{L5}	-	-	V
V _{L5}			V _{L4}	-	V _{out}	V
V _{L4}			V _{L3}	-	V _{L5}	V
V _{L3}			V _{L2}	-	V _{L4}	V
V _{L2}			V _{SS}	-	V _{L3}	V
I _{OH}	Output High Current Source (D ₀ -D ₇)	Output Voltage=V DD -0.4V	50	-	-	μA
I _{oL}	Output Low Current Drain (D ₀ -D ₇)	Output Voltage = 0.4V	-	-	-50	μA
I _{oZ}	Output Tri-state Current Source (D ₀ -D ₇)		-1	-	1	μA
I _{IL} /I _{IH}	Input Current (RES#, PS0, PS1, CS# , E(RD#), D/C#, R/W(WR#), D ₀ -D ₇)		-1	-	1	μA
C _{IN}	Input Capacitance (all logic pins)		-	5	7.5	PF
ΔV _{out}	Variation of Vout Output (1.8V < V _{DD} < 3.3V)	Regulator Enabled, Internal Contrast Control Enabled, Set Contrast Control Register = 0	-	±2	-	%
V _{ref}	Reference Voltage (T= 25°C)		1.68	1.7	1.72	V
	Reference Voltage (T= -20°C)		1.76	1.81	1.86	V
	Reference Voltage (T= 70°C)		1.54	1.59	1.64	V
	Temperature Coefficient Compensation					
PTC0	Flat Temperature Coefficient	Voltage Regulator Enabled	0	-0.01	-0.02	%
PTC1	Temperature Coefficient 1*	Voltage Regulator Enabled	-0.025	-0.035	-0.045	%
PTC2	Temperature Coefficient 2*	Voltage Regulator Enabled	-0.04	-0.05	-0.06	%
PTC3	Temperature Coefficient 3*	Voltage Regulator Enabled	-0.07	-0.083	-0.096	%
PTC4	Temperature Coefficient 4* (POR)	Voltage Regulator Enabled	-0.126	-0.14	-0.154	%

* The formula for the temperature coefficient is:

$$TC(\%) = \frac{V_{out\ 50^{\circ}C} - V_{out\ at\ 0^{\circ}C}}{50^{\circ}C - 0^{\circ}C} \times \frac{1}{V_{out\ at\ 25^{\circ}C}} \times 100\%$$

11 AC CHARACTERISTICS

Table 14 - AC Characteristics (Unless otherwise specified, Voltage Referenced to V_{SS} , V_{DD} , $V_{CI} = 2.7V$, $T_A = -40$ to $85^\circ C$)

Symbol	Parameter	Test Condition	Min	Typ	Max	Unit
F_{FRM}	Frame Frequency	Display ON, Set 104 x 64 Graphic Display Mode, Icon Line Disabled (POR)	-	157.5	-	Hz
F_{osc}	Oscillator frequency	Display ON, Set 104 x 64 Graphic Display Mode, Icon Line Disabled	-	726	-	kHz

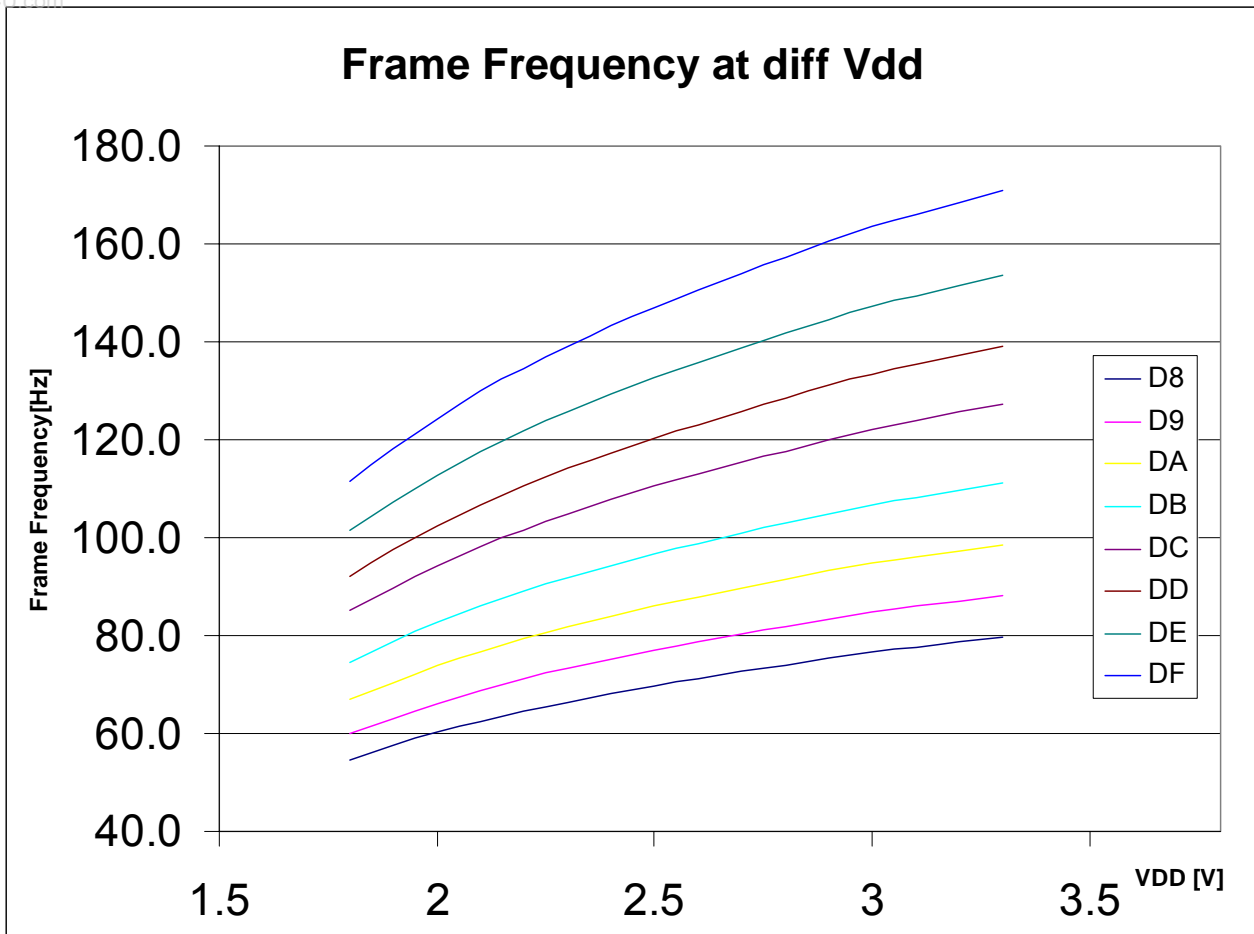


Figure 13 - Frame Frequency at different VDD(Temp = $25^\circ C$).

Table 15 – Parallel Timing Characteristics ($T_A = -40$ to 85°C , $V_{DD} = 1.8\text{V}$, $V_{SS} = 0\text{V}$)

Symbol	Parameter	Min	Typ	Max	Unit
t_{cycle}	Clock Cycle Time (write cycle)	200	1000	-	ns
t_{AS}	Address Setup Time	0	-	25	ns
t_{AH}	Address Hold Time	0	-	-	ns
t_{DSW}	Write Data Setup Time	40	-	-	ns
t_{DHW}	Write Data Hold Time	10	-	-	ns
t_{DHR}	Read Data Hold Time	10	-	50	ns
t_{OH}	Output Disable Time	-	-	40	ns
t_{ACC}	Access Time (RAM)	15	-	-	ns
	Access Time (command)	15	-	-	ns
PW_{CSL}	Chip Select Low Pulse Width (read RAM)	500	-	-	ns
	Chip Select Low Pulse Width (read Command)	500	-	-	ns
	Chip Select Low Pulse Width (write)	100	-	-	ns
PW_{CSH}	Chip Select High Pulse Width (read)	200	-	-	ns
	Chip Select High Pulse Width (write)	100	-	-	ns
t_{R}	Rise Time	-	-	10	ns
t_{F}	Fall Time	-	-	10	ns

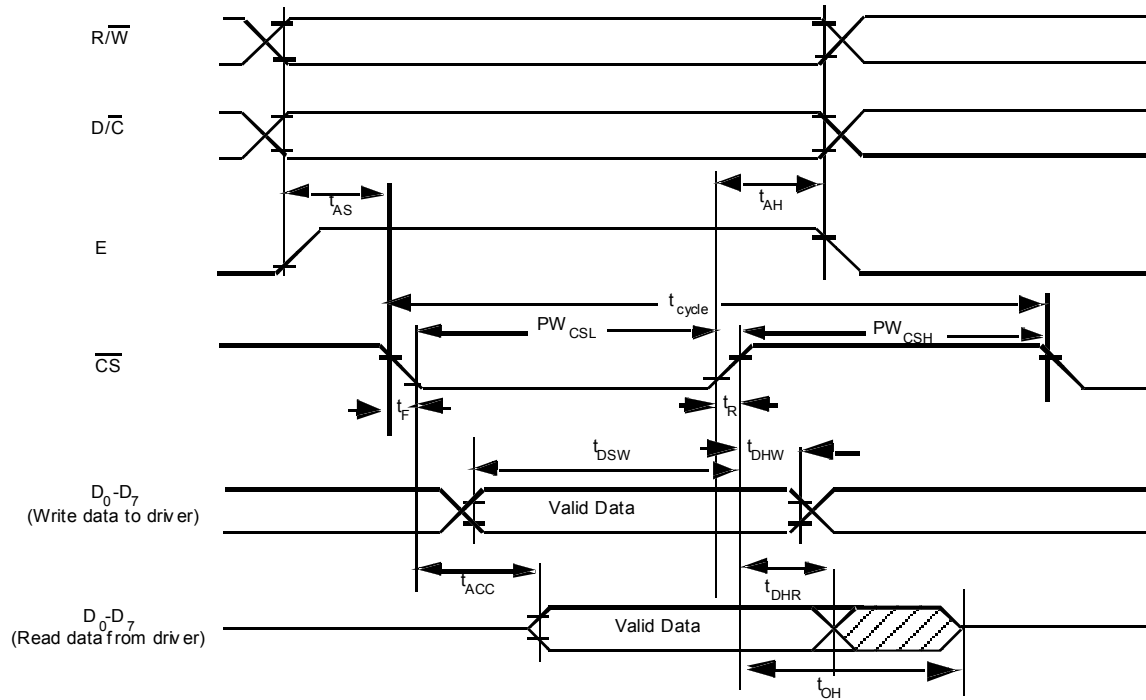


Figure 14 – Parallel 6800-series Interface Timing Characteristics (PS0 = H, PS1 = H)

Table 16 – Parallel Timing Characteristics ($T_A = -40$ to 85°C , $V_{DD} = 2.7$, $V_{SS} = 0\text{V}$)

Symbol	Parameter	Min	Typ	Max	Unit
t_{cycle}	Clock Cycle Time (write cycle)	100	500	-	ns
t_{AS}	Address Setup Time	0	-	25	ns
t_{AH}	Address Hold Time	0	-	-	ns
t_{DSW}	Write Data Setup Time	30	-	-	ns
t_{DHW}	Write Data Hold Time	5	-	-	ns
t_{DHR}	Read Data Hold Time	10	-	50	ns
t_{OH}	Output Disable Time	-	-	40	ns
t_{ACC}	Access Time (RAM)	15	-	-	ns
	Access Time (command)	15	-	-	ns
PW_{CSL}	Chip Select Low Pulse Width (read RAM)	250	-	-	ns
	Chip Select Low Pulse Width (read Command)	250	-	-	ns
	Chip Select Low Pulse Width (write)	50	-	-	ns
PW_{CSH}	Chip Select High Pulse Width (read)	100	-	-	ns
	Chip Select High Pulse Width (write)	50	-	-	ns
t_{R}	Rise Time	-	-	10	ns
t_{F}	Fall Time	-	-	10	ns

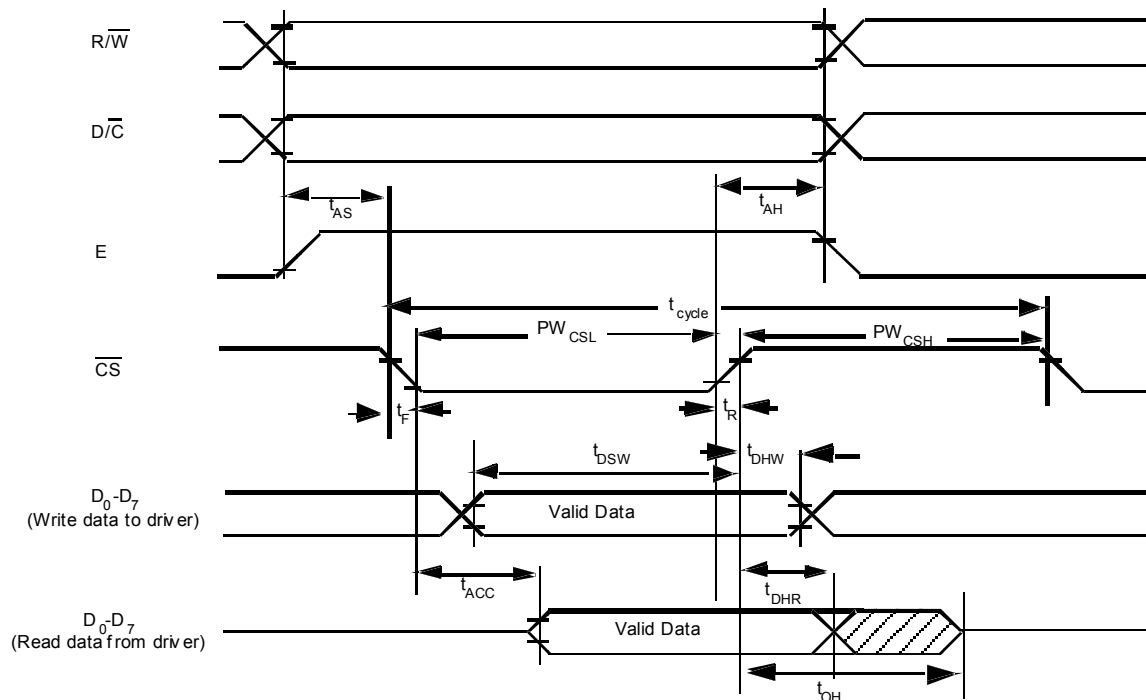


Figure 15 - Parallel 6800-series Interface Timing Characteristics (PS0 = H, PS1 = H)

Table 17 - Parallel Timing Characteristics ($T_A = -40$ to 85°C , $V_{DD} = 1.8\text{V}$, $V_{SS} = 0\text{V}$)

Symbol	Parameter	Min	Typ	Max	Unit
t_{cycle}	Clock Cycle Time (write cycle)	200	1000	-	ns
t_{AS}	Address Setup Time	0	-	25	ns
t_{AH}	Address Hold Time	0	-	-	ns
t_{DSW}	Write Data Setup Time	40	-	-	ns
t_{DHW}	Write Data Hold Time	10	-	-	ns
t_{DHR}	Read Data Hold Time	10	-	50	ns
t_{OH}	Output Disable Time	-	-	40	ns
t_{ACC}	Access Time (RAM)	15	-	-	ns
	Access Time (command)	15	-	-	ns
PW_{CSL}	Chip Select Low Pulse Width (read RAM)	500	-	-	ns
	Chip Select Low Pulse Width (read Command)	500	-	-	ns
	Chip Select Low Pulse Width (write)	100	-	-	ns
PW_{CSH}	Chip Select High Pulse Width (read)	200	-	-	ns
	Chip Select High Pulse Width (write)	100	-	-	ns
t_{R}	Rise Time	-	-	10	ns
t_{F}	Fall Time	-	-	10	ns

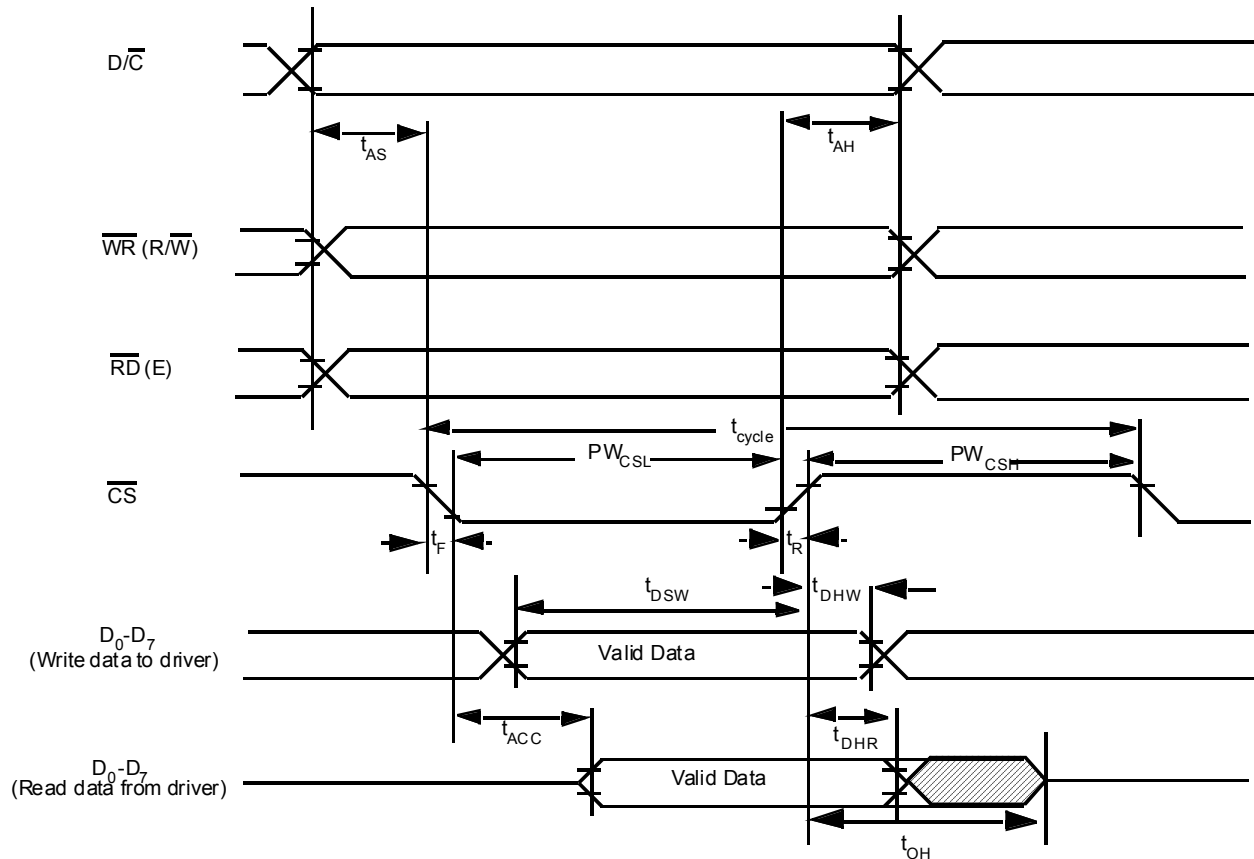


Figure 16 - Parallel 8080-series Interface Timing Characteristics ($\text{PS}_0 = \text{H}$, $\text{PS}_1 = \text{L}$)

Table 18 - Parallel Timing Characteristics ($T_A = -40$ to 85°C , $V_{DD} = 2.7\text{V}$, $V_{SS} = 0\text{V}$)

Symbol	Parameter	Min	Typ	Max	Unit
t_{cycle}	Clock Cycle Time (write cycle)	100	500	-	ns
t_{AS}	Address Setup Time	0	-	25	ns
t_{AH}	Address Hold Time	0	-	-	ns
t_{DSW}	Write Data Setup Time	30	-	-	ns
t_{DHW}	Write Data Hold Time	5	-	-	ns
t_{DHR}	Read Data Hold Time	10	-	50	ns
t_{OH}	Output Disable Time	-	-	40	ns
t_{ACC}	Access Time (RAM)	15	-	-	ns
	Access Time (command)	15	-	-	ns
PW_{CSL}	Chip Select Low Pulse Width (read RAM)	250	-	-	ns
	Chip Select Low Pulse Width (read Command)	250	-	-	ns
	Chip Select Low Pulse Width (write)	50	-	-	ns
PW_{CSH}	Chip Select High Pulse Width (read)	100	-	-	ns
	Chip Select High Pulse Width (write)	50	-	-	ns
t_{R}	Rise Time	-	-	10	ns
t_{F}	Fall Time	-	-	10	ns

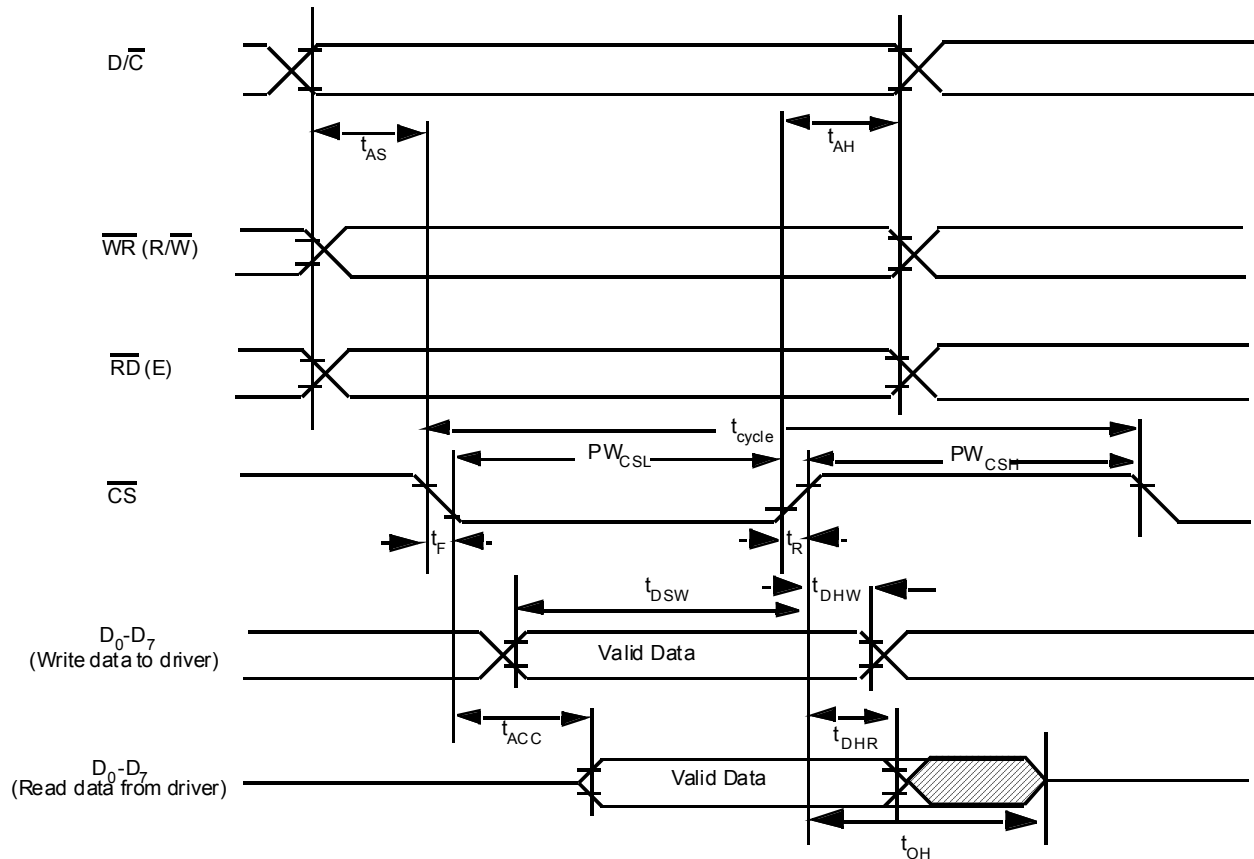


Figure 17 - Parallel 8080-series Interface Timing Characteristics (PS0 = H, PS1 = L)

Table 19 – Serial Timing Characteristics ($T_A = -40$ to 85°C , $V_{DD} = 2.7\text{V}$, $V_{SS} = 0\text{V}$)

Symbol	Parameter	Min	Typ	Max	Unit
t_{cycle}	Clock Cycle Time	58.8	-	-	ns
t_{AS}	Address Setup Time	10	-	-	ns
t_{AH}	Address Hold Time	5	-	-	ns
t_{CSS}	Chip Select Setup Time	30	-	-	ns
t_{CSH}	Chip Select Hold Time	29.4	-	-	ns
t_{DSW}	Write Data Setup Time	30	-	-	ns
t_{DHW}	Write Data Hold Time	30	-	-	ns
t_{CLKL}	Clock Low Time	29.4	-	-	ns
t_{CLKH}	Clock High Time	29.4	-	-	ns
t_{R}	Rise Time	-	-	10	ns
t_{F}	Fall Time	-	-	10	ns

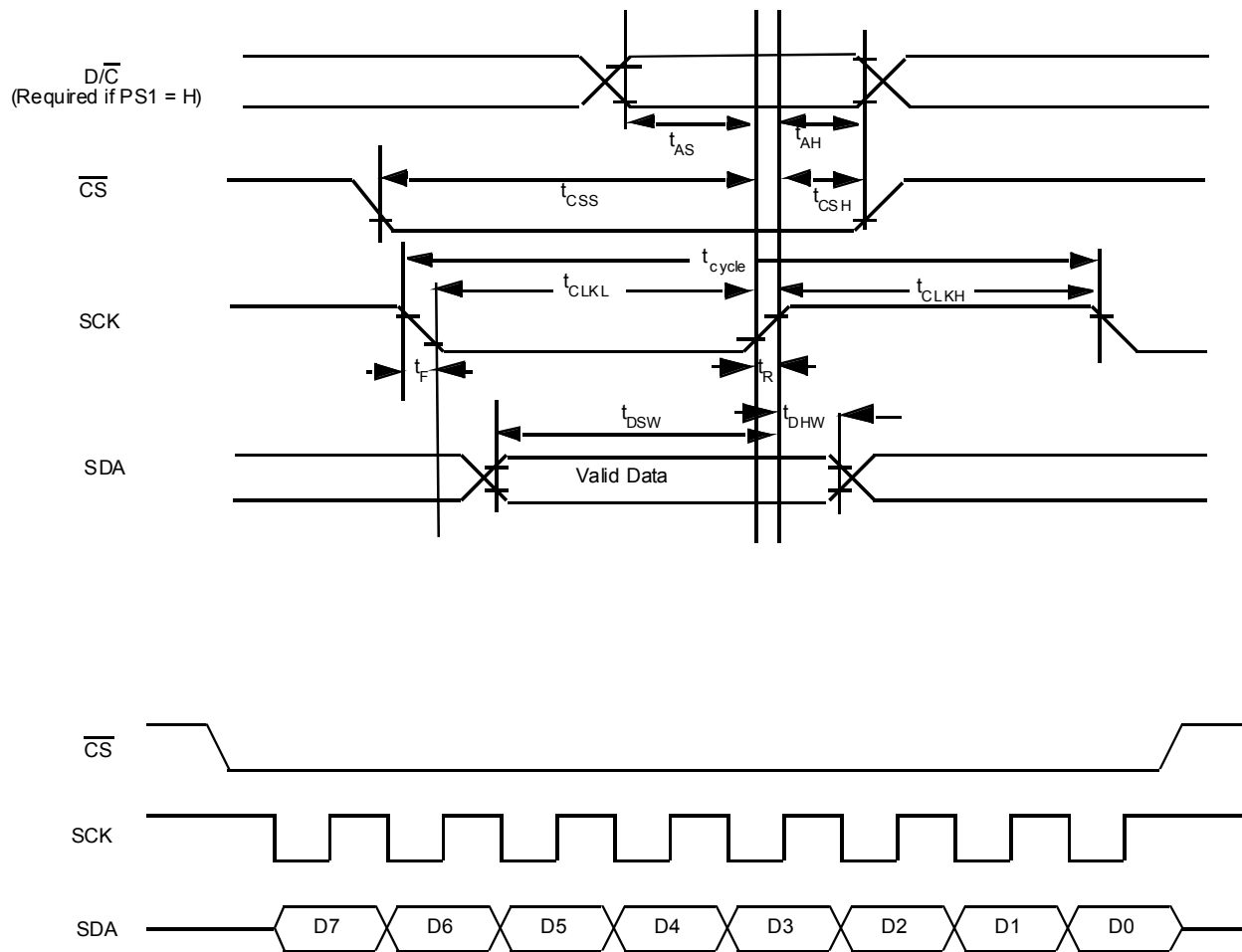


Figure 18- Serial Timing Characteristics (PS0 = L)

Table 20 – Serial Timing Characteristics ($T_A = -40$ to 85°C , $V_{DD} = 1.8\text{V}$, $V_{SS} = 0\text{V}$)

Symbol	Parameter	Min	Typ	Max	Unit
t_{cycle}	Clock Cycle Time	111	-	-	ns
t_{AS}	Address Setup Time	15	-	-	ns
t_{AH}	Address Hold Time	10	-	-	ns
t_{CSS}	Chip Select Setup Time	60	-	-	ns
t_{CSH}	Chip Select Hold Time	55.5	-	-	ns
t_{DSW}	Write Data Setup Time	60	--	-	ns
t_{DHW}	Write Data Hold Time	60	-	-	ns
t_{CLKL}	Clock Low Time	55.5	-	--	ns
t_{CLKH}	Clock High Time	55.5	-	--	ns
t_{R}	Rise Time	-	-	10	ns
t_{F}	Fall Time	-	-	10	ns

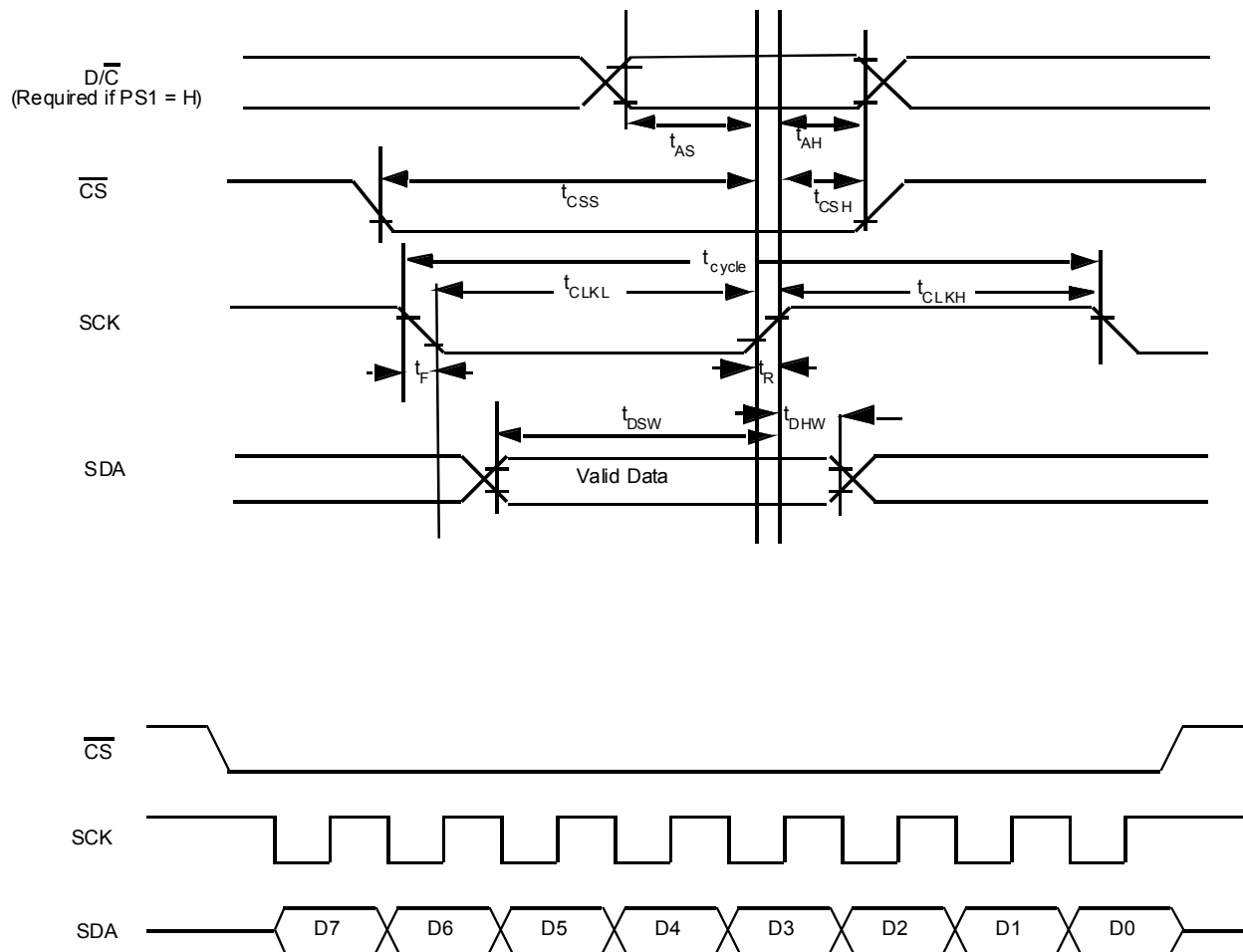


Figure 19 - Serial Timing Characteristics (PS0 = L)

12 APPLICATION EXAMPLES

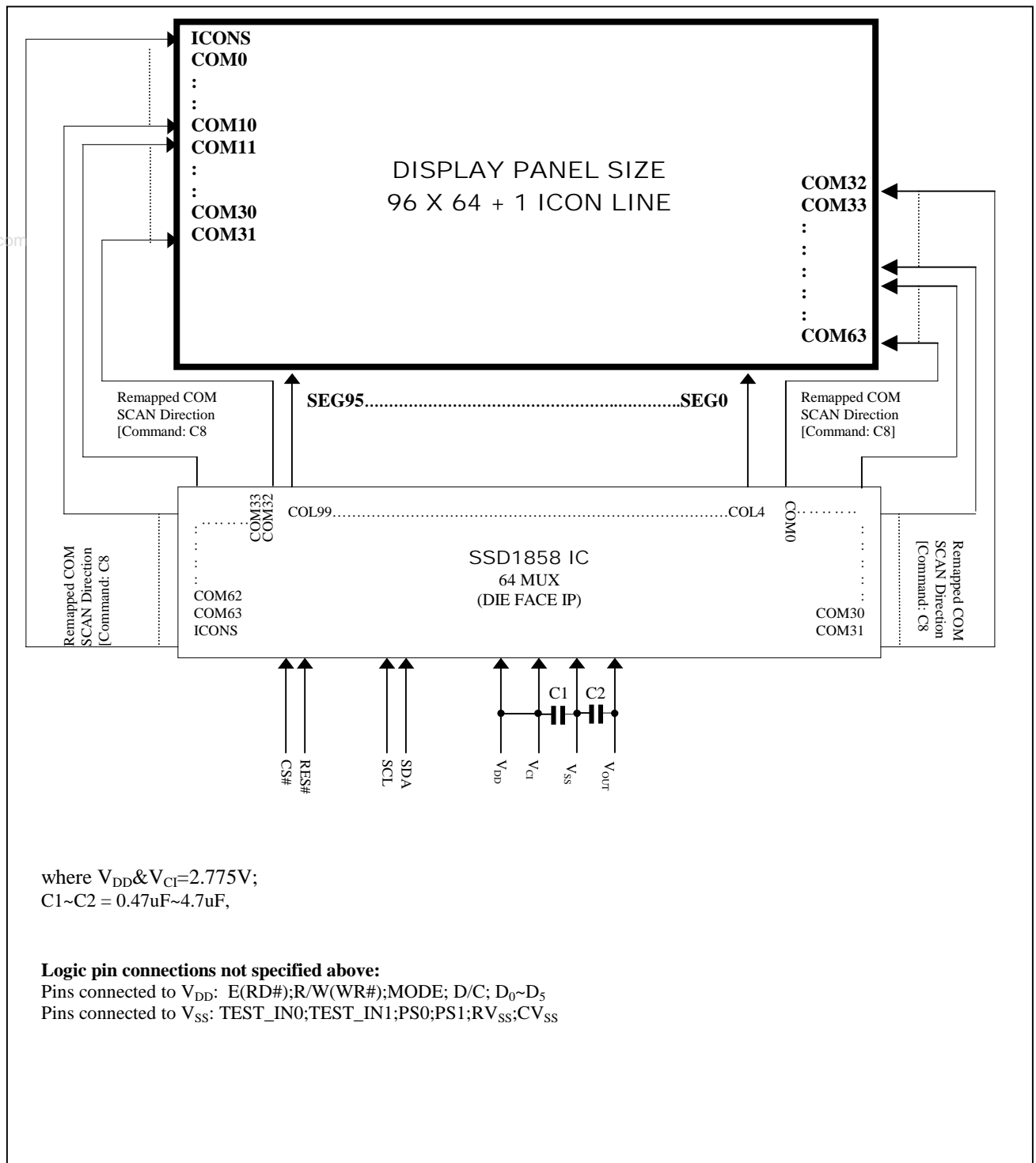


Figure 20 - Typical Application (3-wires SPI mode)

Solomon Systech reserves the right to make changes without further notice to any products herein. Solomon Systech makes no warranty, representation or guarantee regarding the suitability of its products for any particular purpose, nor does Solomon Systech assume any liability arising out of the application or use of any product or circuit, and specifically disclaims any and all liability, including without limitation consequential or incidental damages. "Typical" parameters can and do vary in different applications. All operating parameters, including "Typicals" must be validated for each customer application by customer's technical experts. Solomon Systech does not convey any license under its patent rights nor the rights of others. Solomon Systech products are not designed, intended, or authorized for use as components in systems intended for surgical implant into the body, or other applications intended to support or sustain life, or for any other application in which the failure of the Solomon Systech product could create a situation where personal injury or death may occur. Should Buyer purchase or use Solomon Systech products for any such unintended or unauthorized application, Buyer shall indemnify and hold Solomon Systech and its offices, employees, subsidiaries, affiliates, and distributors harmless against all claims, costs, damages, and expenses, and reasonable attorney fees arising out of, directly or indirectly, any claim of personal injury or death associated with such unintended or unauthorized use, even if such claim alleges that Solomon Systech was negligent regarding the design or manufacture of the part.