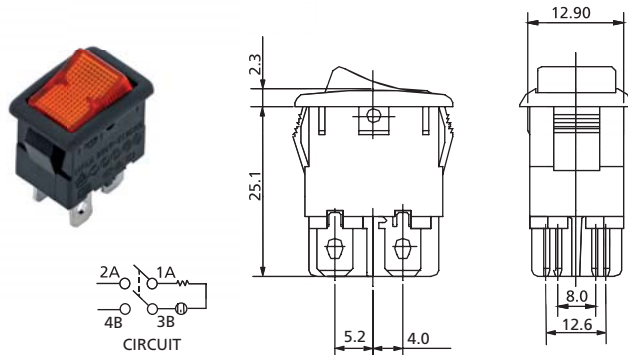


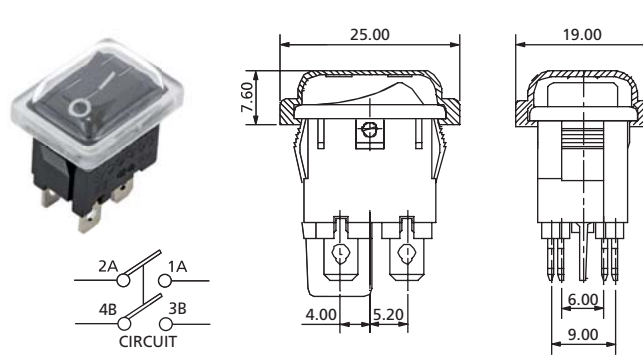
Rocker Switches

21 x 15 mm Rocker Switches

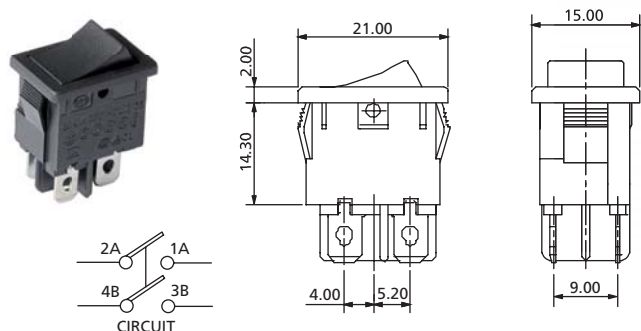
RK2 Series



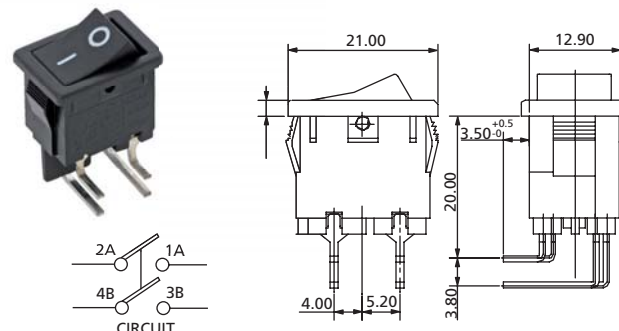
RK2DL1Q4 ___N Soft Outlook; Cross Barrier



RK2DN1Q4 ___W with Waterproof Cover



RK2DN1QC4 ___N with Cross Barrier



RK2DN1R4 ___N THT Terminals Right Angle

TERMINAL	ACTUATOR	ACTUATOR MARKING	PANEL SIZE												
<p>Q 4.8mm TAB, 0.8mm Thick</p> <p>D Solder Tag</p> <p>R Thru Hole Right Angle</p> <p>H Thru Hole Straight</p>	<p>4 Curve</p> <p>SIZE</p> <p>21</p> <p>15</p>	<p>A </p> <p>B </p> <p>C </p> <p>D </p> <p>E </p> <p>F </p>	<p>PANEL CUT-OUT Snap-in mounting</p> <p></p> <table border="1"> <thead> <tr> <th>X (Panel thickness)</th> <th>Dimension Y</th> <th>Dimension Z</th> </tr> </thead> <tbody> <tr> <td>0.75 to 1.25 mm</td> <td>19.20 +0.1/-0 mm</td> <td>12.90 +0.15/-0 mm</td> </tr> <tr> <td>1.25 to 2 mm</td> <td>19.40 +0.1/-0 mm</td> <td>12.90 +0.15/-0 mm</td> </tr> <tr> <td>2 to 3 mm</td> <td>19.80 +0.1/-0 mm</td> <td>12.90 +0.15/-0 mm</td> </tr> </tbody> </table>	X (Panel thickness)	Dimension Y	Dimension Z	0.75 to 1.25 mm	19.20 +0.1/-0 mm	12.90 +0.15/-0 mm	1.25 to 2 mm	19.40 +0.1/-0 mm	12.90 +0.15/-0 mm	2 to 3 mm	19.80 +0.1/-0 mm	12.90 +0.15/-0 mm
X (Panel thickness)	Dimension Y	Dimension Z													
0.75 to 1.25 mm	19.20 +0.1/-0 mm	12.90 +0.15/-0 mm													
1.25 to 2 mm	19.40 +0.1/-0 mm	12.90 +0.15/-0 mm													
2 to 3 mm	19.80 +0.1/-0 mm	12.90 +0.15/-0 mm													

How to order:

RK2

- | | |
|--|---|
| <p>1 POLES:
S Single Pole (SP)
D Double Poles (DP)</p> <p>2 ILLUMINATION:
N No illuminated
L Illuminated</p> <p>3 SWITCHING:
1 ON - OFF</p> <p>4 TERMINAL (See above drawings):
Q 4.8mm TAB, 0.8mm THICK
QC 4.8mm TAB, 0.8mm THICK with Cross Barrier
D Solder Tag
R Thru Hole Right Angle
H Thru Hole Straight</p> <p>5 ACTUATOR (See above drawings):
4 Curve</p> | <p>6 ACTUATOR MARKING:
A See above drawings
B See above drawings
C See above drawings
D See above drawings
E See above drawings
F See above drawings</p> <p>7 BASE COLOR:
A Black
H Grey
B White</p> <p>8 ACTUATOR COLOR:
A Black H Grey B White
F Green D Orange C Red
E Yellow</p> <p>9 WATERPROOF COVER:
N None Cover (Standard)
W With Waterproof Cover</p> |
|--|---|

General Specifications:

- FEATURES**
- » Single & double poles rocker switch up to 10(4)A 250VAC
- MATERIALS**
- » Movable Contact Arm: Phosphorus bronze
 - » Contact: Silver alloy
 - » Terminal: Silver plated copper
- MECHANICAL**
- » Temperature Range: -20°C to +125°C
- ELECTRICAL**
- » Electrical Life: 10,000 cycles
 - » Rating: 12A125VAC, 10A250VAC 1/4HP
10A125VAC, 8A250VAC 1/4HP
10A250VAC
10(4)A250V~T125/55
 - » Initial Contact Resistance: 20mΩ max.
 - » Insulation Resistance: 100MΩ min. at 500VDC