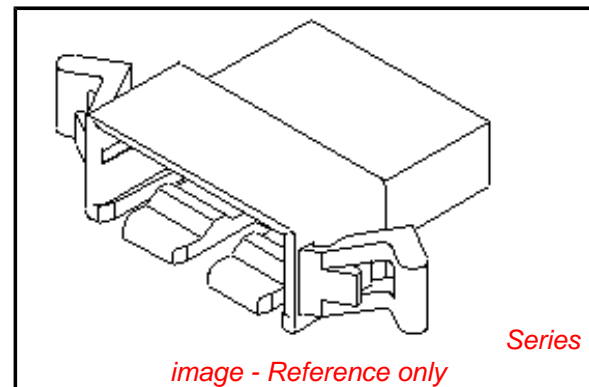


**PLEASE CHECK WWW.MOLEX.COM FOR LATEST PART INFORMATION**

**Part Number:** [0029110113](#)  
**Status:** **Active**  
**Overview:** [spox](#)  
**Description:** 2.50mm (.098") Pitch SPOX™ Wire-to-Wire Plug Housing, Friction Lock, Optional Mounting Ears, 11 Circuits

**Documents:**

<a href="#">3D Model</a>	<a href="#">Product Specification PS-51191-003 (PDF)</a>
<a href="#">Drawing (PDF)</a>	<a href="#">RoHS Certificate of Compliance (PDF)</a>
<a href="#">Product Specification PS-5102-003 (PDF)</a>	



**Agency Certification**

CSA	LR19980
TUV	R72090224
UL	E29179

**General**

Product Family	Crimp Housings
Series	<a href="#">5240</a>
Overview	<a href="#">spox</a>
Product Name	SPOX™

**Physical**

Circuits (maximum)	11
Flammability	94V-0
Gender	Male
Glow-Wire Compliant	No
Lock to Mating Part	Yes
Number of Rows	1
Packaging Type	Bag
Panel Mount	No, Yes
Pitch - Mating Interface (in)	0.098 In
Pitch - Mating Interface (mm)	2.50 mm
Stackable	No
Temperature Range - Operating	-40°C to +105°C

**Material Info**

Old Part Number	5240-111
-----------------	----------

**Reference - Drawing Numbers**

Packaging Specification	SPK-5240-001
Product Specification	PS-5102-003, PS-51191-003
Sales Drawing	SD-5240-N1

<b>EU RoHS</b> <b>ELV and RoHS</b> <b>Compliant</b> <b>REACH SVHC</b> <b>Contains SVHC: No</b> <b>Halogen-Free</b> <b>Status</b> <b>Not Reviewed</b>	<b>China RoHS</b> 
---	--

**Need more information on product environmental compliance?**

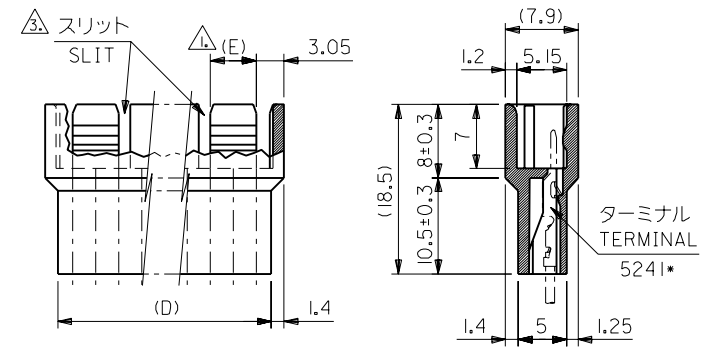
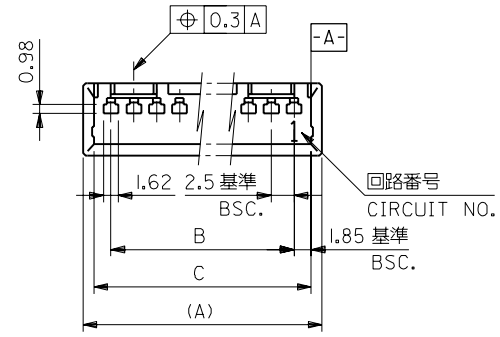
Email [productcompliance@molex.com](mailto:productcompliance@molex.com)  
 For a multiple part number RoHS Certificate of Compliance, [click here](#)

Please visit the [Contact Us](#) section for any non-product compliance questions.

**Search Parts in this Series**  
[5240Series](#)

**Mates With**  
[51191 Housing](#)

**Use With**  
[5241](#)



注)  
NOTE.

- △ フリクションロック構成:  
FRICITION LOCK CONFIGURATION:  
4極までは1箇所  
4CKT AND UNDER - 1LOCK  
5極以上は2箇所  
5CKT AND OVER - 2LOCKS
- 2. 嵌合相手: 5102-N  
MATES WITH HOUSING: 5102-N
- △ スリット構成:  
SLIT CONFIGURATION:  
4極以下はなし  
4CKT AND UNDER - NO SLIT  
5及び6極は1箇所  
5 AND 6CKTS - 1 SLIT  
7極以上は2箇所  
7CKT AND OVER - 2 SLITS

29-11-0153	5240-151	35	38.7	4.1	5	38.3		15
▲ -0143	▲ -141	32.5	36.2	38.6	5	35.8		14
-0133	-131	30	33.7	36.1	5	33.3		13
-0123	-121	27.5	31.2	33.6	5	30.8		12
-0113	-111	25	28.7	31.1	5	28.3		11
-0103	-101	22.5	26.2	28.6	5	25.8		10
-0093	-091	20	23.7	26.1	5	23.3		9
-0083	-081	17.5	21.2	23.6	5	20.8		8
-0073	-071	15	18.7	21.1	5	18.3		7
-0063	-061	12.5	16.2	18.6	5	15.8		6
-0053	-051	10	13.7	16.1	3.75	13.3		5
-0043	-041	7.5	11.2	13.6	7.5	10.8		4
▼ -0033	▼ -031	5	8.7	11.1	5	8.3		3
29-11-0023	5240-021	2.5	6.2	8.6	2.5	5.8		2
EDP. NO.	ENG. NO.	B	C	(A)	(E)	(D)		極数 CKT.

DO NOT SCALE DRAWING

EC NO. DRWN: CHK: APPR:	EC NO. DRWN: CHK: APPR:	EC NO. DRWN: CHK: APPR:	EC NO. DRWN: CHK: APPR:	REDRAWN EC NO. JC2000-0629 DRWN: K.KOHAMA 000/3/28 CHK: T.YAMAGUCHI 007/3/30 APPR: M.FUKUSHIMA 007/3/30	MATERIAL 材料 ナイロン66, 94V-0 NYLON66, 94V-0 色: オフホワイト COLOR: OFF WHITE	GENERAL TOLERANCES: (UNLESS SPECIFIED) 一般公差	SCALE	DESIGN UNITS	THIRD ANGLE PROJECTION	DIMENSIONS:		SHT	REV	
							2:1	<input checked="" type="checkbox"/> mm <input type="checkbox"/> INCH		<input type="checkbox"/> mm <input type="checkbox"/> INCH	<input checked="" type="checkbox"/> mm ONLY	REVISE ON CAD ONLY		
FINISH 仕上げ						10 UNDER 未満	+0.2	DRAWN BY & DATE K.KOHAMA 007/3/28		TITLE: MINI. SPOX PLUG HSG.				
WIRE RANGE 適用線径範囲						10 OVER 以上	+0.25	CHECKED BY & DATE T.YAMAGUCHI 007/3/30		MOLEX INCORPORATED				
INS. RANGE 被覆外径						30 OVER 以上	+0.3	APPROVED BY & DATE M.FUKUSHIMA 007/3/30						CAD FILENAME S5240.S01
						ANGLE 角度	+3°	THIS DRAWING CONTAINS INFORMATION THAT IS PROPRIETARY TO MOLEX INCORPORATED AND SHOULD NOT BE USED WITHOUT WRITTEN PERMISSION.						SIZE B