



FEATURES

- HIGH RELIABILITY FOR LOW COST
- FREQUENCY STABILITY TO +/-15 PPM AVAILABLE
- AVAILABLE IN 1.8 / 2.5 AND 3.3 VOLT
- NEW STANDARD FOR SMALL HIGH PERFORMANCE LOW COST OSCILLATORS
- EXTENDED TEMPERATURE RANGE TO -40/+85°C AVAILABLE

SMD-OSCILLATOR SERIES		SXO-03025		
PACKAGE		Ceramic package 3.2 x 2.5 x 1.0 mm		
FREQUENCY RANGE		1.0 ~ 125.0 MHz		
FREQUENCY STABILITY		+15 ~ +100 ppm		
OPERATING TEMPERATURE RANGE		-10/+60°C ~ -40/+85°C		
STORAGE TEMPERATURE RANGE		-55/+125°C		
INPUT	VOLTAGE	1.8 VDC +-5%	+2.5 VDC +-5%	+3.3 VDC +-5%
	CURRENT	1.0 ~ 4.0 MHz = 10 mA max.	1.0 ~ 4.0 MHz = 10 mA max.	1.0 ~ 4.0 MHz = 10 mA max.
		4.0 ~ 32.0 MHz = 30 mA max.	4.0 ~ 32.0 MHz = 30 mA max.	4.0 ~ 32.0 MHz = 20 mA max.
		32.0 ~ 80.0 MHz = 45 mA max.	32.0 ~ 80.0 MHz = 45 mA max.	32.0 ~ 80.0 MHz = 30 mA max.
		80.0 ~ 125.0 MHz = 80 mA max.	80.0 ~ 125.0 MHz = 80 mA max.	80.0 ~ 125.0 MHz = 40 mA max.
OUTPUT	SYMMETRY	STANDARD	40/60%	
		OPTION	45/55%	
	RISE AND FALL TIME	5 ns typical / 7 ns max.		
	"0" LEVEL	CMOS	10% VDD max.	
	"1" LEVEL		90% VDD min.	
LOAD	CMOS	15 pF		
PIN 1	STANDARD	WITHOUT ENABLE/DISABLE FUNCTION		
	OPTION	WITH ENABLE/DISABLE FUNCTION		

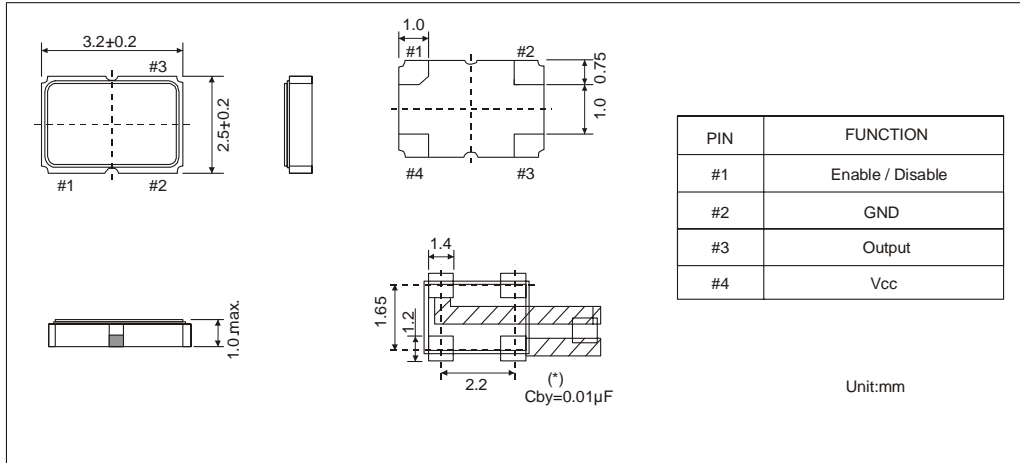
OTHER PARAMETERS ARE AVAILABLE ON REQUEST / CREATE HERE YOUR SPECIFICATION

PART NUMBERING SYSTEM

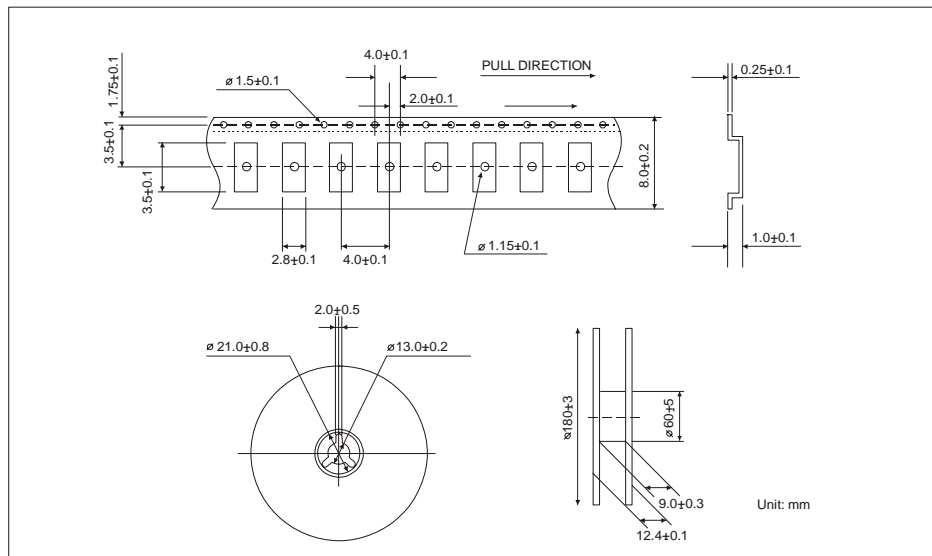
EXAMPLE	SXO18-03025-S-E-50-W-27.000MHZ-T
---------	----------------------------------

SERIES	SXO18-03025 FOR 1.8 VOLT VERSION
	SXO25-03025 FOR 2.5 VOLT VERSION
	SXO3-03025 FOR 3.3 VOLT VERSION
SYMMETRY	BLANK FOR 40/60%
	S FOR 45/55%
PIN 1	BLANK FOR NO E/D
ENABLE/DISABLE	E FOR E/D
FREQUENCY STABILITY	BLANK FOR 100 ppm
	ANY 15 ~ 50 ppm
TEMPERATURE RANGE	BLANK FOR 0/+70°C
	N = -10/+60°C
	M = -20/+70°C
	W = -40/+85°C
FREQUENCY	FREQUENCY IN MHZ
TAPE AND REEL	-T

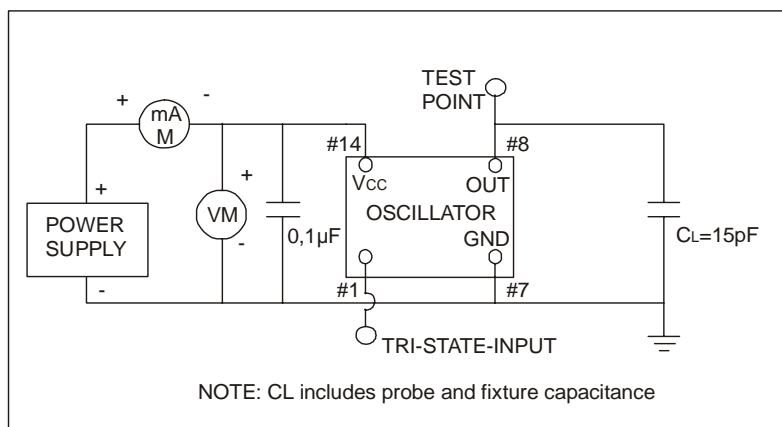
OUTLINE DRAWING OF SXO-03025



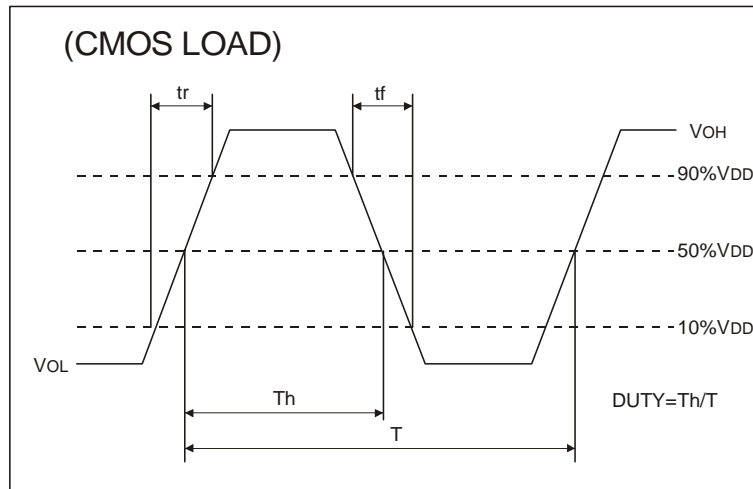
TAPE AND REEL DIMENSIONS



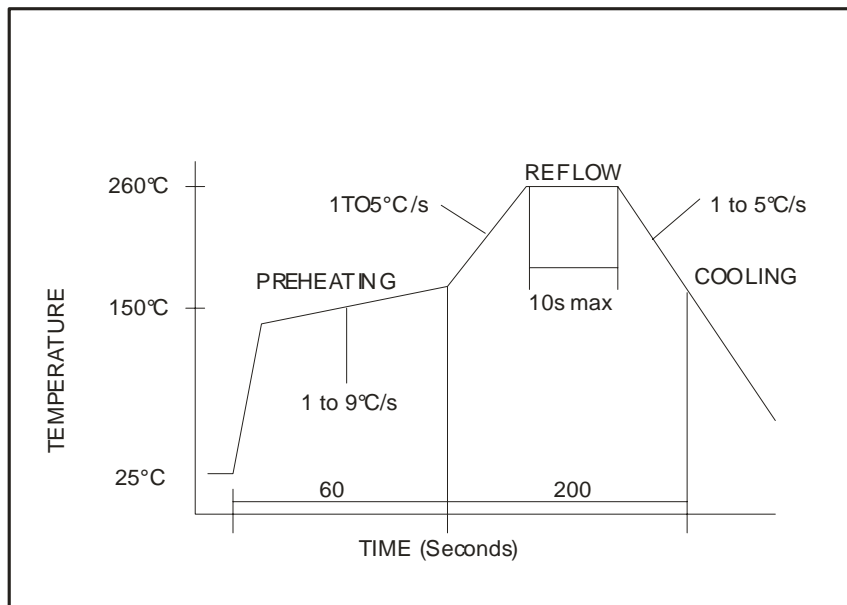
TEST CIRCUIT CMOS



OUTPUT WAVE FORM CMOS



REFLOW SOLDER PROFILE



Oscillators can be soldered according to the norm JEDEC J-STD-020C.