

PLEASE CHECK WWW.MOLEX.COM FOR LATEST PART INFORMATION

Part Number: [0015060045](#)
Status: **Active**
Overview: [minifit_bmi](#)
Description: 4.20mm (.165") Pitch Mini-Fit BMI™ Plug Housing, Dual Row with Panel Mount Ears, PA Polyamide Nylon 6/6, UL 94V-2, 4 Circuits

Documents:

[3D Model](#) [Product Specification PS-5556-002 \(PDF\)](#)
[Drawing \(PDF\)](#) [RoHS Certificate of Compliance \(PDF\)](#)

Agency Certification

CSA LR19980
 UL E29179

General

Product Family Crimp Housings
 Series [42475](#)
 Comments Current = 13A max. per circuit when header is mated to a receptacle loaded with [45750](#) series terminals crimped to 16 AWG wire. . See Molex product specification PS-45750-001 for additional current de-rating information.
 MolexKits Yes
 Overview [minifit_bmi](#)
 Product Name Mini-Fit BMI™

Physical

Circuits (maximum) 4
 Color - Resin Natural
 Flammability 94V-2
 Gender Male
 Glow-Wire Compliant No
 Lock to Mating Part None
 Material - Resin Nylon
 Number of Rows 2
 Packaging Type Bag
 Panel Mount Yes
 Pitch - Mating Interface (in) 0.165 In
 Pitch - Mating Interface (mm) 4.20 mm
 Polarized to Mating Part Yes
 Stackable No
 Temperature Range - Operating -40°C to +105°C

Electrical

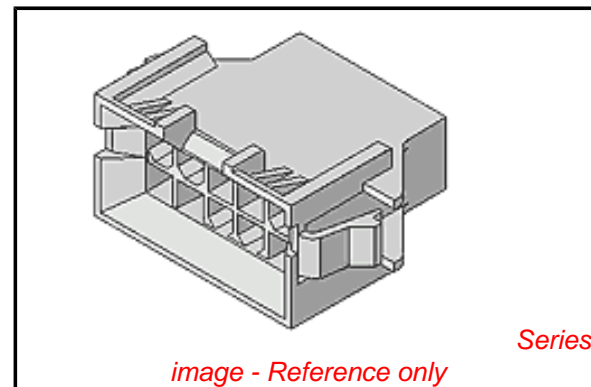
Current - Maximum per Contact 13A

Material Info

Old Part Number 42475-0411

Reference - Drawing Numbers

Packaging Specification PK-42474-001
 Product Specification PS-5556-002
 Sales Drawing SD-42475-***1
 Test Summary TS-5556-002



EU RoHS

ELV and RoHS Compliant
REACH SVHC Contains SVHC: No
Halogen-Free Status

China RoHS



Need more information on product environmental compliance?

Email productcompliance@molex.com
 For a multiple part number RoHS Certificate of Compliance, [click here](#)

Please visit the [Contact Us](#) section for any non-product compliance questions.

Search Parts in this Series

[42475Series](#)

Mates With

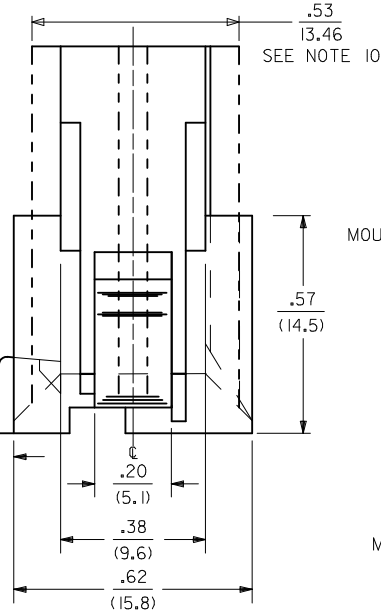
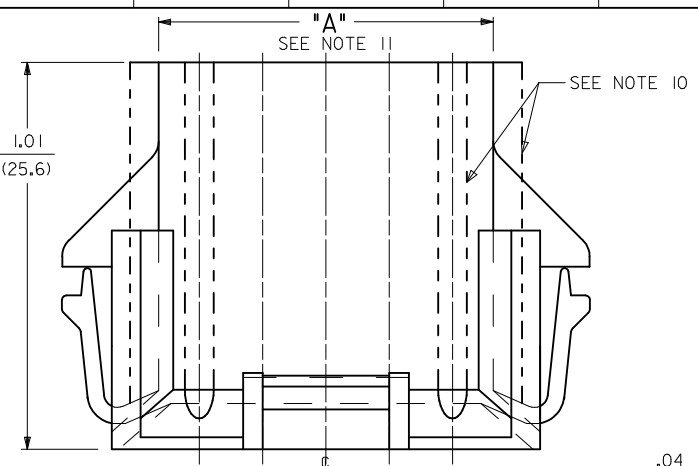
[15-06-0040](#) Mini-Fit BMI Panel Mount Receptacle, [42385](#) Mini-Fit BMI 4 Circuit, UL 94V-2 Vertical Receptacle Headers, [44475-0411](#) Mini-Fit BMI HCS Vertical Receptacle Header

Use With

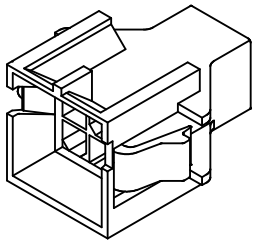
[46012](#) Mini-Fit Plus HCS™ Crimp Terminal, [5558](#) Mini-Fit™ Crimp Terminal

This document was generated on 05/27/2010

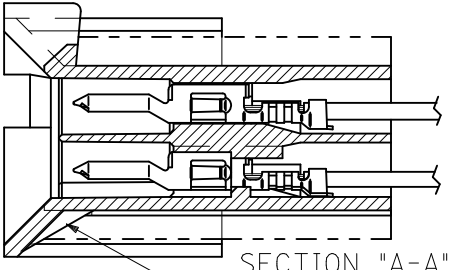
PLEASE CHECK WWW.MOLEX.COM FOR LATEST PART INFORMATION



42475-***1
MOUNTING EAR DESIGN "A"
(SEE NOTE 9)

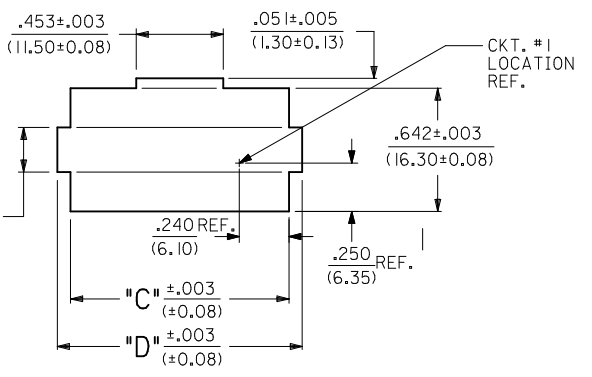
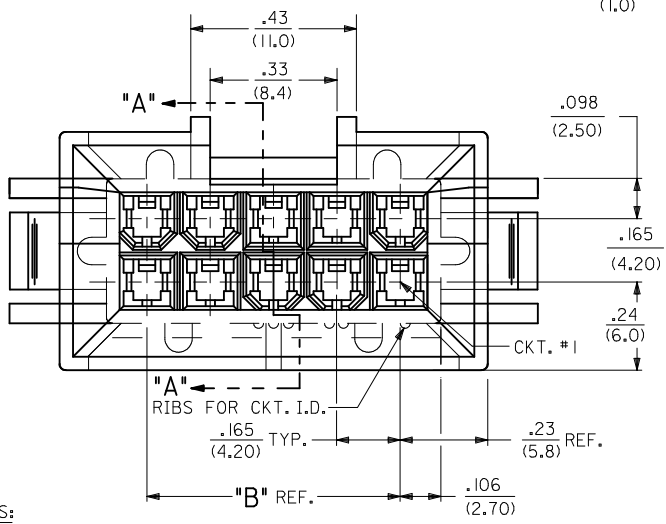


42475-***1
MOUNTING EAR DESIGN "B"
(SEE NOTE 9)



SECTION "A-A"
TERMINAL ORIENTATION

SEE NOTE #13



RECOMMENDED CUT-OUT FOR .063/(1.60)
MAX. THICK P.C. BOARD. (6-24 CKT.'S.)

SCALE: 2X

CIRCUIT SIZE	DIM. "A"	DIM. "B"	DIM. "C"	DIM. "D"
6	.54 (13.8)	.33 (8.4)	.807 (20.50)	.945 (24.00)
8	.71 (18.0)	.50 (12.6)	.972 (24.70)	1.110 (28.20)
10	.87 (22.2)	.66 (16.8)	1.138 (28.90)	1.276 (32.40)
12	1.04 (26.4)	.83 (21.0)	1.303 (33.10)	1.441 (36.60)
14	1.20 (30.6)	.99 (25.2)	1.469 (37.30)	1.606 (40.80)
16	1.37 (34.8)	1.16 (29.4)	1.643 (41.50)	1.772 (45.00)
18	1.54 (39.0)	1.32 (33.6)	1.799 (45.70)	1.937 (49.20)
20	1.70 (43.2)	1.49 (37.8)	1.965 (49.90)	2.102 (53.40)
22	1.87 (47.4)	1.65 (42.0)	2.130 (54.10)	2.268 (57.60)
24	2.03 (51.6)	1.82 (46.2)	2.295 (58.30)	2.433 (61.80)

NOTES:

- MATERIAL:
 - 1 = NYLON (PA6/6), UNFILLED, UL94 V-2, COLOR: NATURAL
 - 2 = NYLON (PA6/6), UNFILLED, UL94 V-0, COLOR: NATURAL
 - 3 = NYLON (PA6/6), UNFILLED, UL94 V-2, COLOR: BLACK
 - 4 = NYLON (PA6/6), UNFILLED, UL94 V-0, COLOR: BLACK
- FINISH NOT APPLICABLE.
- THIS PART CONFORMS TO MOLEX PRODUCT SPEC. NO. PS-5556-002.
- PACKAGING: PK-42474-001
- 6-24 CKT. PARTS MATE WITH MOLEX RECEPTACLES 5557, 42385 AND 42474. 2 AND 4 CKT. PARTS MATE WITH 42385 AND 42474 ONLY.
- PART IS FOR USE WITH MALE TERMINAL #5558.
- PART ALLOWS FOR UP TO .100/(2.54) MISALIGNMENT WITH MATING RECEPTACLE IN ANY DIRECTION. SEE MATING CONNECTOR DRAWINGS FOR SPECIFIC ALLOWANCES.
- PANEL CUT-OUT TO BE PUNCHED IN THE SAME DIRECTION AS CONNECTOR INSERTION.
- PARTS MANUFACTURED AFTER 95/12/31 MAY HAVE MOUNTING EAR DESIGN "B" PARTS WITH MOUNTING EAR DESIGN "A" WILL BE OBSOLETE AS TOOL LIFE DICTATES. IN SOME CASES, PARTS MAY BE AVAILABLE WITH BOTH MOUNTING EAR DESIGNS. SEE CHART ON SHEET 4 FOR SPECIFIC EAR DESIGN AVAILABILITY.

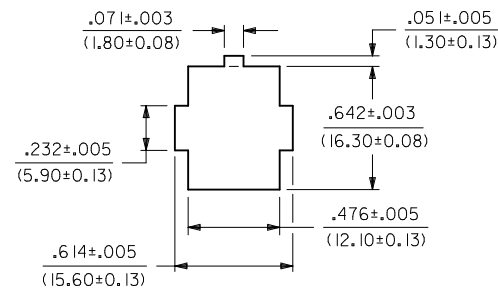
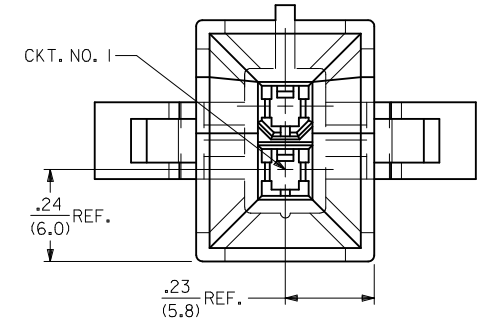
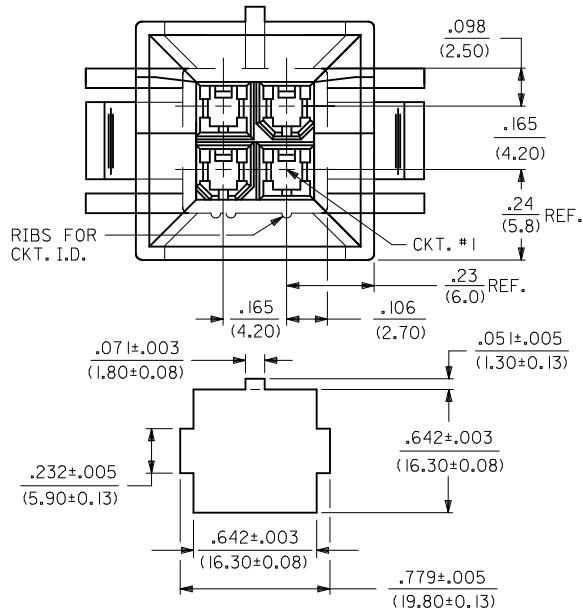
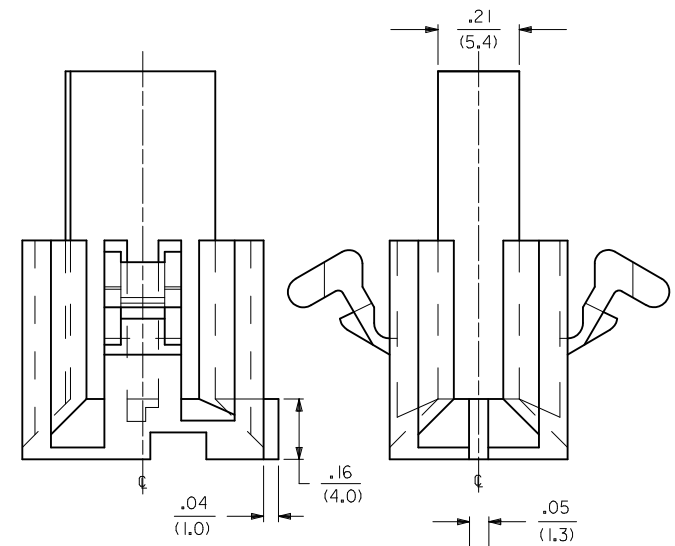
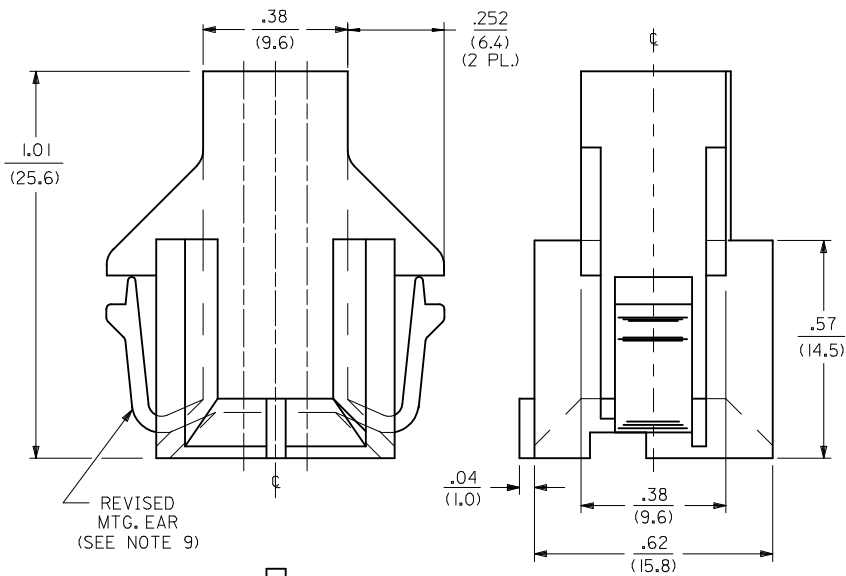
- FOR MANUFACTURING EASE PARTS MAY HAVE OPTIONAL EJECTOR RIBS. SEE SHT. 3 FOR LOCATION.
- DIMENSION DOES NOT INCLUDE EJECTOR RIBS (SEE PAGE #3 FOR PARTS WITH RIBS, RIB DIMENSIONS AND LOCATION).
- IF THIS PRODUCT IS STORED IN AN ENVIRONMENT WITH A RELATIVE HUMIDITY OF LESS THAN 50%, MOISTURE MUST BE ADDED. REFER TO TECHNICAL ADVISORY AS-45499-001 FOR INSTRUCTIONS.
- INTERIOR RIB LOCATION MAY VARY.

- CONNECTOR ASSEMBLIES ARE NOT TO BE MATED OR UNMATED WHILE CIRCUITS ARE LIVE.
- WIRES ARE TO BE DRESSED IN SUCH A MANNER TO ALLOW THE TERMINALS TO FLOAT FREELY IN THE POCKET.
- PART CONFORMS TO CLASS "B" REQUIREMENTS OF COSMETIC SPECIFICATION PS-45499-022.

4	S7
3	S7
2	S6
1	S7
SHEET REV	

ADD -0641 EC NO: UCP2010-3048 DRWNG: JAGUILAR 2010/05/28 CHKD: J.BELL 2010/05/28 APPR: FSMITH 2010/06/11 REV: S7	QUALITY SYMBOLS	GENERAL TOLERANCES (UNLESS SPECIFIED)	DIMENSION STYLE IN/MM	SCALE 4:1	DESIGN UNITS METRIC	THIRD ANGLE PROJECTION
	▽=0	mm INCH	DRAWN BY DATE GEP 1989/07/18	TITLE PLUG HOUSING B.M.I. 2-24 CIRCUITS MINI-FIT SERIES	MOLEX INCORPORATED	SHEET NO. 1 OF 4
	▽=0	4 PLACES ± --- ± --- 3 PLACES ± --- ± .010 2 PLACES ± 0.25 ± .015 1 PLACE ± 0.38 ± ---	CHECKED BY DATE R.J.F. 1989/07/18	APPROVED BY DATE FSMITH 2010/03/17		
	▽=0	ANGULAR ±1/2°	DRAFT WHERE APPLICABLE MUST REMAIN WITHIN DIMENSIONS	SEE SHEET 4	DOCUMENT NO. SD-42475-***1	
THIS DRAWING CONTAINS INFORMATION THAT IS PROPRIETARY TO MOLEX INCORPORATED AND SHOULD NOT BE USED WITHOUT WRITTEN PERMISSION						

SEE SHEET 2 FOR 2 & 4 CKT. PARTS



RECOMMENDED CUT-OUT FOR .063/(1.60)
MAX. THICK P.C. BOARD. #1 (2 CKT'S.)

SCALE: 2X

2 CKT.

RECOMMENDED CUT-OUT FOR .063/(1.60)
MAX. THICK P.C. BOARD. (4 CKT'S.)

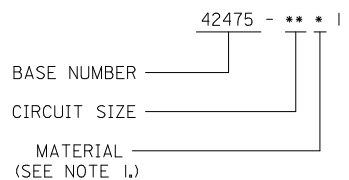
SCALE: 2X

4 CKT.

CORRECTED 6.4 DIM. EC NO: UCP2010-2390 DRWN: JAGUILAR 2010/03/17 CHKD: J BELL 2010/03/17 APPR: FSMITH 2010/03/17 S6	QUALITY SYMBOLS ▽=0 ▽=0	GENERAL TOLERANCES (UNLESS SPECIFIED) <table border="1"> <tr> <th></th> <th>mm</th> <th>INCH</th> </tr> <tr> <td>4 PLACES ±</td> <td>---</td> <td>---</td> </tr> <tr> <td>3 PLACES ±</td> <td>---</td> <td>±.010</td> </tr> <tr> <td>2 PLACES ±</td> <td>0.25</td> <td>±.015</td> </tr> <tr> <td>1 PLACE ±</td> <td>0.38</td> <td>---</td> </tr> </table>		mm	INCH	4 PLACES ±	---	---	3 PLACES ±	---	±.010	2 PLACES ±	0.25	±.015	1 PLACE ±	0.38	---	DIMENSION STYLE IN/MM	SCALE 4:1	DESIGN UNITS METRIC	THIRD ANGLE PROJECTION
		mm	INCH																		
	4 PLACES ±	---	---																		
	3 PLACES ±	---	±.010																		
2 PLACES ±	0.25	±.015																			
1 PLACE ±	0.38	---																			
DRAWN BY GEP	DATE 1989/07/18	CHECKED BY R J F	DATE 1989/07/18	TITLE PLUG HOUSING B.M.I. 2-24 CIRCUITS MINI-FIT SERIES																	
APPROVED BY FSMITH	DATE 2010/03/17	MATERIAL NO. SEE SHEET 4					DOCUMENT NO. SD-42475-***1	SHEET NO. 2 OF 4													
DRAFT WHERE APPLICABLE MUST REMAIN WITHIN DIMENSIONS		THIS DRAWING CONTAINS INFORMATION THAT IS PROPRIETARY TO MOLEX INCORPORATED AND SHOULD NOT BE USED WITHOUT WRITTEN PERMISSION																			

	13	12	11	10	9	8	7	6	5	4	3	2	1		
	PART NUMBER	ENG. NUMBER	CKT. SIZE	MATERIAL (SEE NOTE 1.)	PART NUMBER	CKT. SIZE	MATERIAL (SEE NOTE 1.)	MOUNTING EAR TYPE		42475-***2I, 5558-GS*	42474-***2I, 5556-PBGS*P	94V-0			
								CKT. SIZE	DESIGN A, DESIGN B (SEE SHEET I)	42475-***1I, 5558-GS*	42474-***1I, 5556-PBGS*P	94V-2	PHOS. BRZ.	GOLD	
J	NOT TOOLED	42475-0211	2	I	NOT TOOLED	2	3			42475-***2I, 5558-GS*	42474-***2I, 5556-GS*P	94V-0			
	I5-06-0045	42475-0411	4	↑	42475-0431	4	↑	2	N/A	42475-***1I, 5558-GS*	42474-***1I, 5556-GS*P	94V-2	BRASS	GOLD	
	I5-06-0065	42475-0611	6		42475-0631	6		4	B	42475-***2I, 5558-PBS*	42474-***2I, 5556-PBS*P	94V-0	PHOS. BRZ.	TIN	
	I5-06-0085	42475-0811	8		42475-0831	8		6	B	42475-***1I, 5558-S*	42474-***1I, 5556-S*P	94V-2	BRASS	TIN	
I	I5-06-0105	42475-1011	10		42475-1031	10		8	A	42475-***2I, 5558-GS*	A-42385-***D2	94V-0	PHOS. BRZ.	GOLD	
	NOT TOOLED	42475-1211	12		NOT TOOLED	12		10	B	42475-***1I, 5558-GS*	A-42385-***C2	94V-2			
	I5-06-0145	42475-1411	14		42475-1431	14		12	N/A	42475-***2I, 5558-GS*	A-42385-***B2	94V-0	BRASS	GOLD	
	NOT TOOLED	42475-1611	16		NOT TOOLED	16		14	B	42475-***1I, 5558-GS*	A-42385-***A2	94V-2			
H	I5-06-0185	42475-1811	18		42475-1831	18		16	N/A	42475-***2I, 5558-PBS*	A-42385-***D1	94V-0	PHOS. BRZ.	TIN	
	I5-06-0205	42475-2011	20		42475-2031	20		18	A & B	42475-***1I, 5558-PBS*	A-42385-***C1	94V-2			
	NOT TOOLED	42475-2211	22		NOT TOOLED	22		20	A	42475-***2I, 5558-S*	A-42385-***B1	94V-0	BRASS	TIN	
	I5-06-0245	42475-2411	24	I	42475-2431	24	3	22	N/A	42475-***1I, 5558-S*	A-42385-***A1	94V-2			
G								24	B	PLUG HOUSING/ MALE TERMINAL		MATING CONNECTOR	HSG. MAT'L.	TERM. MAT'L.	PLATING
	NOT TOOLED	42475-0221	2	2	NOT TOOLED	2	4			MATING CONNECTOR FEATURES					
	I5-06-0046	42475-0421	4	↑	42475-0441	4	↑								
	I5-06-0066	42475-0621	6		42475-0641	6									
F	50-36-2323	42475-0821	8		42475-0841	8									
	I5-06-0106	42475-1021	10		42475-1041	10									
	NOT TOOLED	42475-1221	12		NOT TOOLED	12									
	I5-06-0146	42475-1421	14		42475-1441	14									
E	NOT TOOLED	42475-1621	16		NOT TOOLED	16									
	I5-06-0186	42475-1821	18		42475-1841	18									
	I5-06-0206	42475-2021	20		42475-2041	20									
	NOT TOOLED	42475-2221	22		NOT TOOLED	22									
D	I5-06-0246	42475-2421	24	2	42475-2441	24	4								

LEGEND:



ADD -0641 EC NO: UCP2010-3048 DRWN: JAGUILAR 2010/05/28 CHKD: J.BELL 2010/05/28 APPR: FSMITH 2010/06/11	QUALITY SYMBOLS	GENERAL TOLERANCES (UNLESS SPECIFIED)	DIMENSION STYLE	SCALE	DESIGN UNITS	THIRD ANGLE PROJECTION
	▽=0	mm INCH	IN/MM	---	METRIC	
	▽=0	4 PLACES ± --- ± ---	DRAWN BY DATE	TITLE		
	▽=0	3 PLACES ± --- ± .010	GEP 1989/07/18	PLUG HOUSING B.M.I. 2-24 CIRCUITS, MINI-FIT SERIES		
	▽=0	2 PLACES ± 0.25 ± .015	RJF 1989/07/18	MOLEX INCORPORATED		
	1 PLACE ± 0.38 ± ---	APPROVED BY DATE	DOCUMENT NO.			
	ANGULAR ± 1/2°	RAS 1989/07/18	SD-42475-***1			
		MATERIAL NO.	SHEET NO.			
		SEE CHART	4 OF 4			
		DRAFT WHERE APPLICABLE MUST REMAIN WITHIN DIMENSIONS	THIS DRAWING CONTAINS INFORMATION THAT IS PROPRIETARY TO MOLEX INCORPORATED AND SHOULD NOT BE USED WITHOUT WRITTEN PERMISSION			