

PLEASE CHECK WWW.MOLEX.COM FOR LATEST PART INFORMATION

Part Number: [0357253810](#)
Status: **Active**
Description: 6.35mm (.250") Tab Slip-On Wire-to-Wire Terminal, Female, 20-22 AWG, Post-Tin Plated

Documents:

Drawing (PDF)	Product Specification PS-35725-005 (PDF)
Product Specification PS-35254-001 (PDF)	Product Specification PS-35955-001 (PDF)
Product Specification PS-35725-002 (PDF)	RoHS Certificate of Compliance (PDF)

General

Product Family	Crimp Terminals
Series	35725
Crimp Quality Equipment	Yes
Product Name	N/A

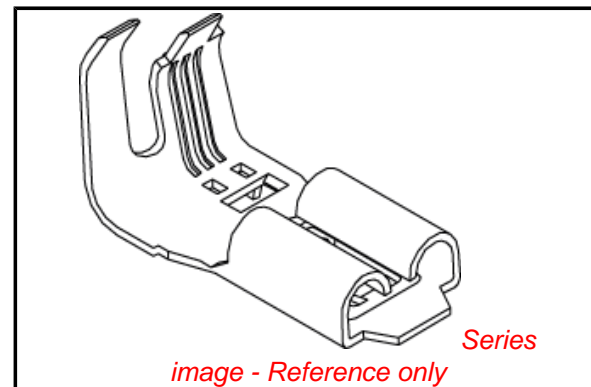
Physical

Gender	Female
Material - Metal	Brass
Material - Plating Mating	Tin
Material - Plating Termination	Tin
Packaging Type	Reel
Plating min: Mating (µin)	39
Plating min: Mating (µm)	1
Wire Insulation Diameter	5.00mm (.197") max.
Wire Size AWG	20, 22
Wire Size mm ²	N/A

Material Info

Reference - Drawing Numbers

Product Specification	PS-35254-001, PS-35725-002, PS-35725-005, PS-35955-001
Sales Drawing	SD-35725-3**0



EU RoHS

ELV and RoHS Compliant
REACH SVHC
Contains SVHC: No
Halogen-Free Status

China RoHS



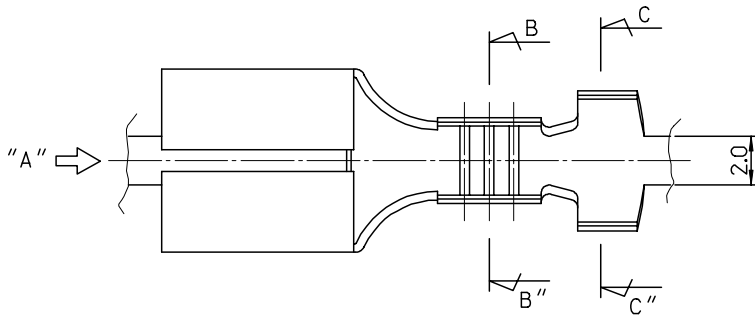
Need more information on product environmental compliance?

Email productcompliance@molex.com
 For a multiple part number RoHS Certificate of Compliance, [click here](#)

Please visit the [Contact Us](#) section for any non-product compliance questions.

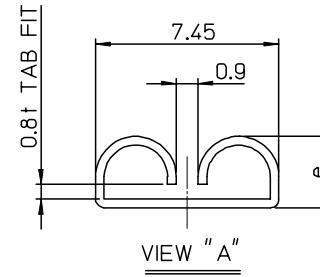
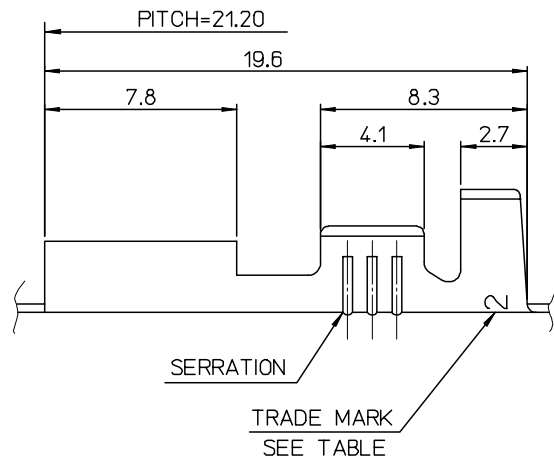
Search Parts in this Series
[35725Series](#)

Mates With
[35725-1910](#)

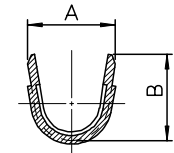


NOTES

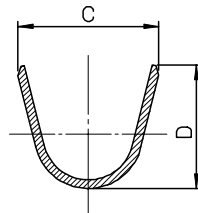
1. MATERIAL : BRASS, 0.35mm THICKNESS
2. RECOMMENDED LENGTH OF WIRE STRIP IS 5.2-5.8 mm
3. FINISH, TENSION : SEE TABLE



ENG. NO.	a	b	c	d	e	WIRE RANGE	PLATED	TRADE MARK	TENSION
35725-3600	5.2	4.6	6.3	6.3		AWG #14-#12	(UNPLATED)	MK2	STANDARD TENSION
35725-3700	3.5	3.5	5.7	5.0	2.9	AWG #18-#14			
35725-3800	2.85	2.9	3.8	3.8		AWG #22-#20			
35725-3610	5.2	4.6	6.3	6.3		AWG #14-#12	(POST-TIN PLATING)		
35725-3710	3.5	3.5	5.7	5.0	2.9	AWG #18-#14			
35725-3810	2.85	2.9	3.8	3.8		AWG #22-#20			
35725-3601	5.2	4.6	6.3	6.3		AWG #14-#12	(UNPLATED)	L MK2	LOW TENSION
35725-3701	3.5	3.5	5.7	5.0	2.95	AWG #18-#14			
35725-3801	2.85	2.9	3.8	3.8		AWG #22-#20			



SECTION B-B''



SECTION C-C''

REVISED	DESCRIPTION
EC NO: KOR2008-0030	
DRWN: JHPARK01	2007/09/10
CHKD: W. YANG	2007/09/10
APPR: YUNSIKKIM	2007/09/10
A	REV

QUALITY SYMBOLS	GENERAL TOLERANCES (UNLESS SPECIFIED)
▽=0	mm
▽=0	INCH

4 PLACES	± ---	± ---
3 PLACES	± ---	± ---
2 PLACES	± 0.3	± ---
1 PLACE	± 0.3	± ---
ANGULAR		± 1 °
DRAFT WHERE APPLICABLE MUST REMAIN WITHIN DIMENSIONS		

DIMENSION STYLE		SCALE	DESIGN UNITS	THIRD ANGLE PROJECTION
MM ONLY		5:1	METRIC	
DRAWN BY	DATE	TITLE		
JS. KANG	93/04/27	.250 SLIP-ON RECEPTACLE TERMINAL		
CHECKED BY	DATE	MOLEX INCORPORATED		
BK. CHOI	93/04/27	SD-35725-3**0		
APPROVED BY	DATE	SHEET NO.		
CW. LEE	93/04/27	1 OF 01		

MATERIAL NO.	DOCUMENT NO.	SHEET NO.
SEE TABLE	SD-35725-3**0	1 OF 01

THIS DRAWING CONTAINS INFORMATION THAT IS PROPRIETARY TO MOLEX INCORPORATED AND SHOULD NOT BE USED WITHOUT WRITTEN PERMISSION