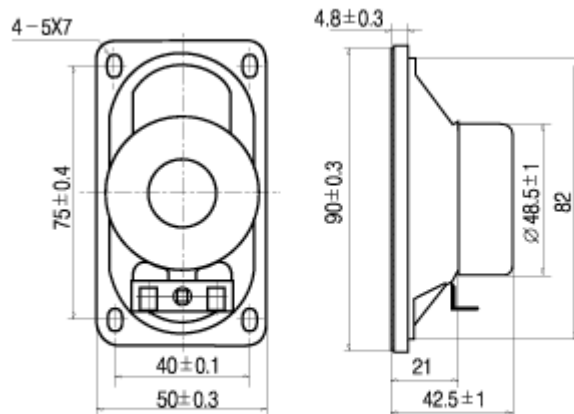




Type	BLS-5090
Rated Impedance( $\Omega$ )	$8 \pm 15\%$
Rated(Max.) Power(W)	3(5)
Resonant Frequency(Hz)	$200 \pm 20\%$
Rated Freq.Range(Hz)	$F_0 \sim 18000$
Sound Pressure Level(dB)	$84 \pm 2$
Magnet(g)	70
Operating Temperature( $^{\circ}\text{C}$ )	$-10 \sim +40$



Unit:mm

