

PLEASE CHECK WWW.MOLEX.COM FOR LATEST PART INFORMATION

Part Number: [0357501110](#)
Status: **Active**
Description: Ring Tongue Terminal for 14-18 AWG (0.75~2.08mm²), Stud Size 3-4 (M2.6), Post-Tin Plating

Documents:

[Drawing \(PDF\)](#) [RoHS Certificate of Compliance \(PDF\)](#)
[Product Specification PS-35750-0300 \(PDF\)](#)

Agency Certification

UL E134962

General

Product Family Ring and Spade Terminals
 Series [35750](#)
 Crimp Quality Equipment Yes
 Mil-Spec N/A
 Product Name R (Ring)
 Type Ring

Physical

Barrel Type Open
 Insulation None
 Material - Plating Mating Tin
 Packaging Type Reel
 Plating min: Mating (µin) 40
 Plating min: Mating (µm) 1
 Plating min: Termination (µin) 40
 Plating min: Termination (µm) 1
 Stud Size 3-4 (M2.6)
 Temperature Range - Operating -40°C to +105°C
 Termination Interface: Style Crimp or Compression
 Wire Insulation Diameter 3.00mm (.118") max.
 Wire Size AWG 14, 16, 18
 Wire Size mm² 0.75 - 2.08

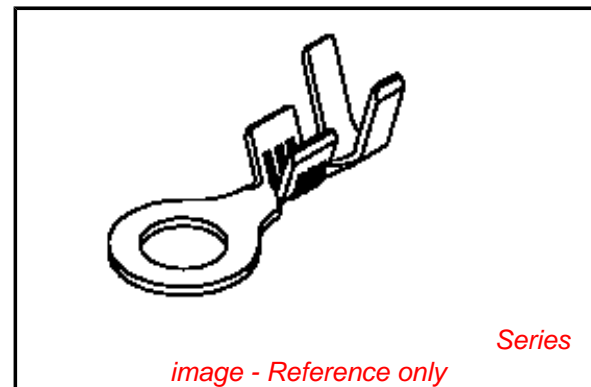
Electrical

Voltage - Maximum 300V DC

Material Info

Reference - Drawing Numbers

Product Specification PS-35750-0300
 Sales Drawing SD-35750-11*0



EU RoHS

ELV and RoHS Compliant
REACH SVHC Contains SVHC: No
Halogen-Free Status

China RoHS



Need more information on product environmental compliance?

Email productcompliance@molex.com
 For a multiple part number RoHS Certificate of Compliance, [click here](#)

Please visit the [Contact Us](#) section for any non-product compliance questions.

Search Parts in this Series
[35750Series](#)

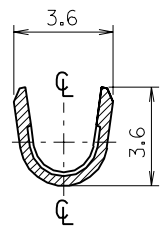
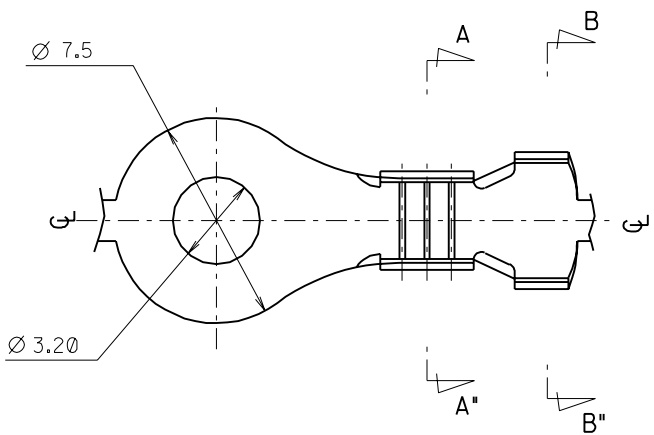
DO NOT SCALE DRAWING DIMENSION IN METRIC

PROJECT NO.

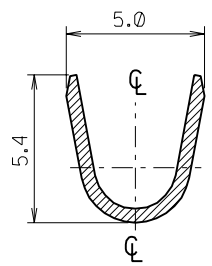
SIMILAR ITEM

EDP NO.

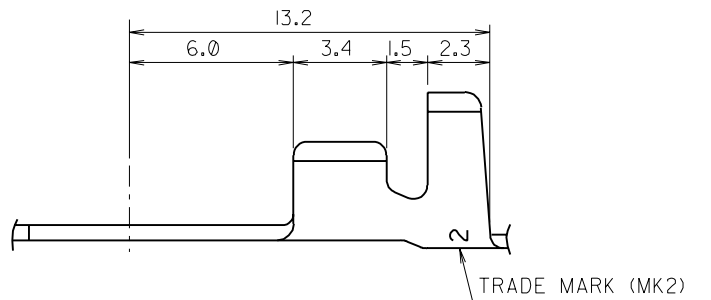
ENG. NO
SD 35750-1100



SECTION: A-A



SECTION: B-B



NOTES

1. MATERIAL: BRASS 0.5 THK'
2. FINISH: 35750-1100: NONE
35750-1110: POST-TIN PLATING
35723-0904: TIN LEAD PLATING
3. RECOMMENDED LENGTH OF WIRE STRIP IS 4.8-5.2

LTR		REVISION RECORD	ECN	DR/CHK	DATE	DIE FEED	APPL FEED	WBDW	IBDW	APP'D BY	SCALE	WIRE RANGE AWG: #18-#14 MM ² :	GENERAL TOLERANCES DIM. : *0.3 ANGLE : *0.2	MOLEX MOLEX-KOREA CO.,LTD.	
C	REVISED			YANG	92.4.30									REVISE ONLY ON CAD SYSTEM	
B	REVISED			YANG	91.12.3									TITLE: $\varnothing 3.2$ RING TERMINAL (H/S) IOF 1	
A	CAD DRAWING RELEASED			YANG	91.11.1									ENG.NO. SD 35750-1100 REV C	
														CAD (6:1)	