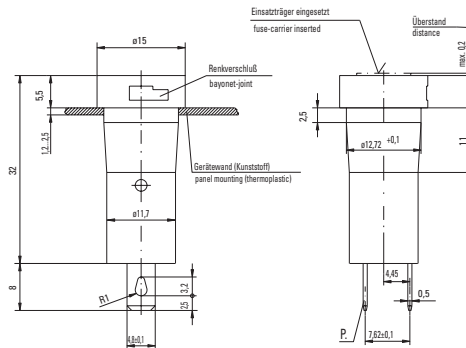


Holder / No. 824-20 Panel Mount for 5x20mm Fuses

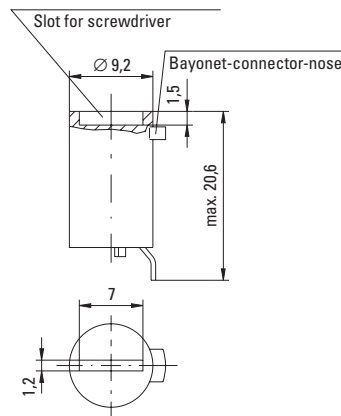


Panel mounting hole

Cap / No. 835-20



Flush Mount Type



Specifications

Standard

IEC 60127-6
UL 512
CSA C22.2. No.39



Mounting

Pluggable (panel thickness 1.2 mm-2.5 mm)

Terminals

Solderable or 4.8mm quick connect - fits 0.5mm tab

Protection Class & Category

IP 40 (IEC 60529)
PC2 (IEC 60127-6)

Materials

Holder/Cap: Thermoplastic
(Polyamide PA 6.6), UL94 V-0, black
Metal Parts: Copper alloy, corrosion protected
Terminals: solderable tinned

Electrical Data (23°C)

Rated Voltage: 250V
Rated Current: 6.3A (VDE/SEMKO)
16A (UL/CSA)
Rated Power: 4W (VDE/SEMKO)

Operating Temperature

-25°C to +70°C (consider de-rating)

Climatic Test

-25°C/+70°C/21 days (IEC 60068-2-1...3)

Stock Conditions

+10°C to +60°C
relative humidity ≤ 75% yearly average,
without dew, maximum value for 30 days - 95%

Vibration Resistance

24 cycles at 15 min. each (IEC 60068-2-6)
10 - 60Hz at 0.75mm amplitude
60 - 2000Hz at 10g acceleration

Contact Resistance

≤ 5mΩ

Dielectric Strength

> 1.5 kV

Impulse Voltage

4 kV, 50Hz, 1 min., dry

Insulation Resistance

> 10³ MΩ (500VDC, 1 min.)

Solderability

235°C, 3 sec. (Wave)
350°C, 1 sec. (soldering iron)

Soldering Heat Resistance

260°C, 5 sec. (IEC 60068-2-20)

Minimum Cross Section

Conductor - 2.5mm²

Marking

824, 250V, Approvals

Unit Weight

3.3g (824) / 1.6g (835) / 2.2g (837)

Order Information

Packaging

Bulk (100 pcs.)

Order Numbers

Holder No. 824 2000 000
Cap, Flush Mount No. 835 2000 000



Note: 1.00 means the number one with two decimal places. 1,000 means the number one thousand.