

## Features

- Bushing mount
- Optional AR pin feature
- Non-standard features and specifications available
- Gangable

Model 3543 is currently available, although not recommended for new designs. **Model 3547** is preferred.

Model 3545 is currently available, although not recommended for new designs. **Model 3548** is preferred.

**BOURNS®**

## 3543/3545 - Precision Potentiometer

Electrical Characteristics <sup>1</sup>	3543 3-Turn	3545 5-Turn
Standard Resistance Range	.20 to 50 K ohms	.50 to 50 K ohms
Total Resistance Tolerance	±5 %	±5 %
Independent Linearity	±0.25 %	±0.25 %
Effective Electrical Angle	1080° +10°, -0°	1800° +10°, -0°
Absolute Minimum Resistance/Minimum Voltage	1 ohm or 0.1 % maximum (whichever is greater)	1 ohm or 0.1 % maximum (whichever is greater)
Noise	100 ohms ENR maximum	100 ohms ENR maximum
Dielectric Withstanding Voltage (MIL-STD-202, Method 301)	1,000 VAC minimum	1,000 VAC minimum
Sea Level	1,000 VAC minimum	1,000 VAC minimum
Power Rating (Voltage Limited By Power Dissipation or 224 VAC [3543] or 273 VAC [3545], Whichever Is Less)		
+70 °C	1 watt	1.5 watt
+125 °C	0 watt	0 watt
Insulation Resistance (500 VDC)	1,000 megohms minimum	1,000 megohms minimum
Resolution	See recommended part nos.	See recommended part nos.

Environmental Characteristics <sup>1</sup>		
Operating Temperature Range	+1 °C to +125 °C	+1 °C to +125 °C
Storage Temperature Range	-55 °C to +125 °C	-55 °C to +125 °C
Temperature Coefficient Over		
Storage Temperature Range <sup>2</sup>	±50 ppm/°C maximum/unit	±50 ppm/°C maximum/unit
Vibration	15 G	15 G
Wiper Bounce	0.1 millisecond maximum	0.1 millisecond maximum
Shock	50 G	50 G
Wiper Bounce	0.1 millisecond maximum	0.1 millisecond maximum
Load Life	1,000 hours, 1 watt	1,000 hours, 1.5 watts
Total Resistance Shift	±2 % maximum	±2 % maximum
Rotational Life (No Load)	300,000 shaft revolutions	500,000 shaft revolutions
Total Resistance Shift	±5 % maximum	±5 % maximum
Moisture Resistance (MIL-STD-202, Method 103, Condition B)		
Total Resistance Shift	±2 % maximum	±2 % maximum
IP Rating	IP 40	IP 40

Mechanical Characteristics <sup>1</sup>		
Stop Strength	53 N-cm (75 oz.-in.) min.	
Mechanical Angle	1080° +10°, -0° (3543); 1800° +10°, -0° (3545)	
Torque (Starting & Running)	0.35 N-cm (0.5 oz.-in.) max.	
Mounting	170-200 N-cm (15-18 lb.-in.)	
Shaft Runout	0.08 mm (0.003 in.) T.I.R.	
Lateral Runout	0.13 mm (0.005 in.) T.I.R.	
Shaft End Play	0.25 mm (0.010 in.) T.I.R.	
Shaft Radial Play	0.08 mm (0.003 in.) T.I.R.	
Pilot Diameter Runout	0.08 mm (0.003 in.) T.I.R.	
Backlash	1.0° maximum	
Weight	Approximately 21 gm	
Terminals	Gold-plated solder lugs	
Soldering Condition	Recommended hand soldering using Sn95/Ag5 no clean solder, 0.025" wire diameter. Maximum temperature 399 °C (750 °F) for 3 seconds. No wash process to be used with no clean flux.	
Marking	Manufacturer's name and part number, resistance value and tolerance, linearity tolerance, wiring diagram, and date code.	
Ganging (Multiple Section Pots.)	.2 cups maximum	
Hardware	One lockwasher (H-37-2) and one mounting nut (H-38-2) is shipped with each potentiometer.	

<sup>1</sup>At room ambient: +25 °C nominal and 50 % relative humidity nominal, except as noted.

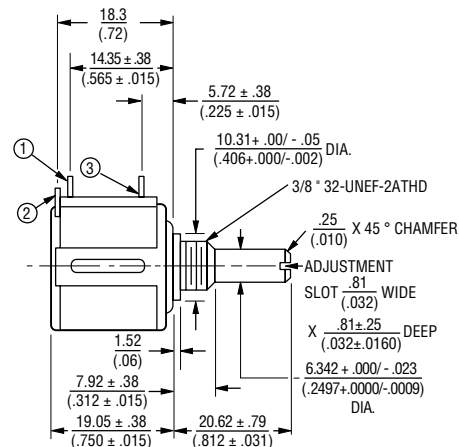
<sup>2</sup>Consult manufacturer for complete specification details.

### Recommended Part Numbers

Part Number*	Resistance (Ω)	Resolution (%)
3543S-1-102L	1,000	.077
3543S-1-202L	2,000	.062
3543S-1-502L	5,000	.047
3543S-1-103L	10,000	.040

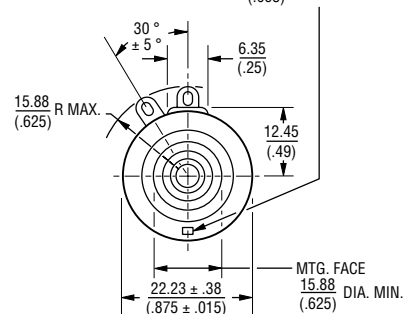
Part Number	Resistance (Ω)	Resolution (%)
3545S-1-102L	1,000	.043
3545S-1-202L	2,000	.044
3545S-1-502L	5,000	.038
3545S-1-103L	10,000	.029

3543S-1/3545S-1

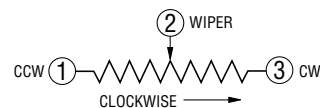


ADD .75 (19 MM) FOR ADDITIONAL CUPS.

OPTIONAL ANTIROTATION LUG  
(-91) 1.42 X .50 (0.056 X .02) ON 7.4 (29) RADIUS  
LENGTH 1.27 FROM MOUNTING SURFACE.  
(SUGGESTED PANEL HOLE 1.6 (0.063) DIA.)



TOLERANCES: EXCEPT WHERE NOTED  
DECIMALS: .XX ± .25 (0.010), .XXX ± .13 (0.005)  
FRACTIONS: ±1/64  
DIMENSIONS: MM (IN.)



**BOLDFACE LISTINGS ARE IN STOCK AND READILY AVAILABLE THROUGH DISTRIBUTION.**

FOR SERVO MOUNT VERSION AND OTHER OPTIONS CONSULT FACTORY.

TERMINALS:  
L = RoHS COMPLIANT  
BLANK = STANDARD

REV. 06/06

\*RoHS Directive 2002/95/EC Jan 27 2003 including Annex Specifications are subject to change without notice.

Customers should verify actual device performance in their specific applications.