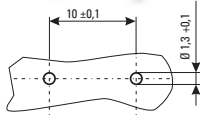
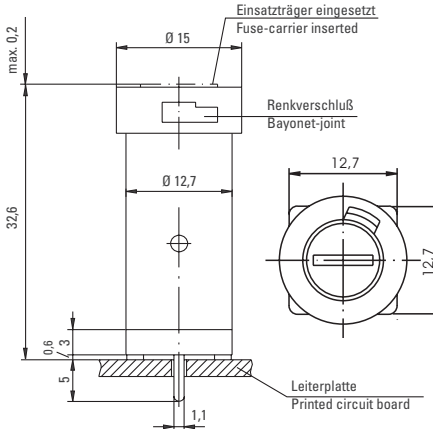


Holder / No. 834



Lücher in der Leiterplatte
Holes in the printed circuit board

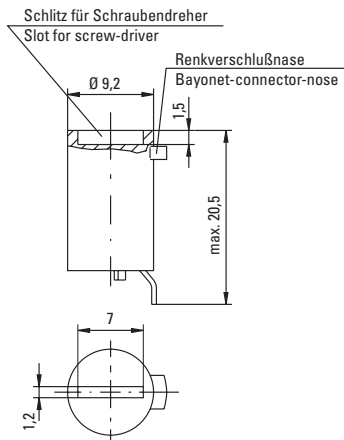
PCB mount, vertical for 5x20 mm Fuses



Cap / No. 835



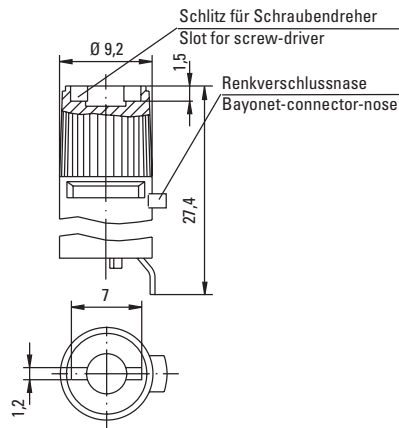
Flush Mount Type



Cap/ No. 837



Finger Grip Type



Specifications

Packaging

0 Karton (100 pcs.)

Standard

IEC 60127-6
UL 512
CSA C22.2. No.39

Approvals



Mounting

(2) Solder pins 0.5mm x 1.1mm

Protection Class & Category

IP 40 (IEC 60529)
PC2 (IEC 60127-6)

Materials

Holder/Cap: Black Thermoplastic Polyamide PA 6.6, UL94 V-0
Metal Parts: Copper alloy, corrosion protected
Terminals: Solderable, tinned

Electrical Data (40°C)

Rated Voltage: 250V
Rated Current: 6.3A (VDE/SEMKO)
16A (UL/CSA)
Rated Power: 2.5W (834+835 - VDE/SEMKO)

Operating Temperature

-25°C to +70°C (consider de-rating)

Climatic Test

-25°C/+70°C/21 days (IEC 60068-2-1...3)

Stock Conditions

+10°C to +60°C
relative humidity ≤ 75% yearly average,
without dew, maximum value for 30 days - 95%

Vibration Resistance

24 cycles at 15 min. each (IEC 60068-2-6)
10 - 60Hz at 0.75mm amplitude
60 - 2000Hz at 10g acceleration

Contact Resistance

≤ 5mΩ

Dielectric Strength

> 1.5 kV

Impulse Voltage

4 kV with 1,2µs/50µs

Insulation Resistance

> 10³ MΩ (500 VDC, 1 min.)

Solderability

235°C, 2 sec. (Soldering bath) (IEC 60068-2-20)
350°C, 3 sec. (Soldering Iron) (IEC 60068-2-20)

Soldering Heat Resistance

260°C, 5 sec. (Soldering bath) (IEC 60068-2-20)

Minimum Cross Section

Conducting path - 0.2mm²

Marking

834, 250V, Approvals

Unit Weight

3,5g (834) / 1,6g (835) / 2,2g (837)

WebLinks

Weitere Informationen siehe:

www.wickmanngroup.com

Weitere Anwendungshinweise siehe
Fuseologie:

www.wickmanngroup.com/download/fuseologie.pdf

Order Information

| Qty. | Order Number | Series | | Packaging |
|------|--------------|--------|---------|-----------|
| | | | 0000 00 | 0 |

Note: 1.00 means the number one with two decimal places. 1,000 means the number one thousand.

