

NPN Power Transistors

These devices are high voltage, high speed transistors for horizontal deflection output stages of TV's and CRT's.

- High Voltage: $V_{CEV} = 330$ or 400 V
- Fast Switching Speed: $t_f = 750$ ns (max)
- Low Saturation Voltage: $V_{CE(sat)} = 1$ V (max) @ 5 A
- Packaged in Compact JEDEC TO-220AB

MAXIMUM RATINGS

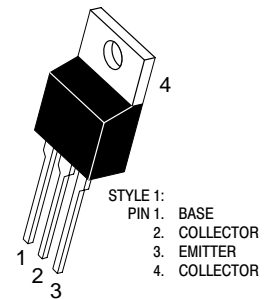
Rating	Symbol	BU406	BU407	Unit
Collector-Emitter Voltage	V_{CEO}	200	150	Vdc
Collector-Emitter Voltage	V_{CEV}	400	330	Vdc
Collector-Base Voltage	V_{CBO}	400	330	Vdc
Emitter Base Voltage	V_{EBO}	6		Vdc
Collector Current — Continuous	I_C	7		Adc
Peak Repetitive		10		
Peak (10 ms)		15		
Base Current	I_B	4		Adc
Total Device Dissipation, $T_C = 25^\circ\text{C}$	P_D	60		Watts
Derate above $T_C = 25^\circ\text{C}$		0.48		
Operating and Storage Junction Temperature Range	T_J, T_{stg}	-65 to 150		$^\circ\text{C}$

THERMAL CHARACTERISTICS

Characteristic	Symbol	Max	Unit
Thermal Resistance, Junction to Case	$R_{\theta JC}$	2.08	$^\circ\text{C}/\text{W}$
Thermal Resistance, Junction to Ambient	$R_{\theta JA}$	70	$^\circ\text{C}/\text{W}$
Lead Temperature for Soldering Purposes: 1/8" from Case for 5 Seconds	T_L	275	$^\circ\text{C}$

BU406
BU407

7 AMPERES
NPN SILICON
POWER TRANSISTORS
60 WATTS
150 and 200 VOLTS



CASE 221A-09
TO-220AB

BU406 BU407

ELECTRICAL CHARACTERISTICS ($T_C = 25^\circ\text{C}$ unless otherwise noted)

Characteristic	Symbol	Min	Typ	Max	Unit
OFF CHARACTERISTICS					
Collector–Emitter Sustaining Voltage ⁽¹⁾ ($I_C = 100\text{ mA}$, $I_B = 0$)	BU406 BU407	$V_{CE(sus)}$	200 150	— —	Vdc
Collector Cutoff Current ($V_{CE} = \text{Rated } V_{CEV}$, $V_{BE} = 0$) ($V_{CE} = \text{Rated } V_{CEO} + 50\text{ Vdc}$, $V_{BE} = 0$) ($V_{CE} = \text{Rated } V_{CEO} + 50\text{ Vdc}$, $V_{BE} = 0$, $T_C = 150^\circ\text{C}$)		I_{CES}	— — —	— — —	5 0.1 1 mAdc
Emitter Cutoff Current ($V_{EB} = 6\text{ Vdc}$, $I_C = 0$)	BU406, BU407	I_{EBO}	—	—	1 mAdc

ON CHARACTERISTICS (1)

Collector–Emitter Saturation Voltage ($I_C = 5\text{ Adc}$, $I_B = 0.5\text{ Adc}$)	$V_{CE(sat)}$	—	—	1	Vdc
Base–Emitter Saturation Voltage ($I_C = 5\text{ Adc}$, $I_B = 0.5\text{ Adc}$)	$V_{BE(sat)}$	—	—	1.2	Vdc
Forward Diode Voltage ($I_{EC} = 5\text{ Adc}$) "D" only	V_{EC}	—	—	2	Volts

DYNAMIC CHARACTERISTICS

Current–Gain — Bandwidth Product ($I_C = 0.5\text{ Adc}$, $V_{CE} = 10\text{ Vdc}$, $f_{test} = 20\text{ MHz}$)	f_T	10	—	—	MHz
Output Capacitance ($V_{CB} = 10\text{ Vdc}$, $I_E = 0$, $f = 1\text{ MHz}$)	C_{ob}	—	80	—	pF

SWITCHING CHARACTERISTICS

Inductive Load Crossover Time ($V_{CC} = 40\text{ Vdc}$, $I_C = 5\text{ Adc}$, $I_{B1} = I_{B2} = 0.5\text{ Adc}$, $L = 150\text{ }\mu\text{H}$)	t_c	—	—	0.75	μs
---	-------	---	---	------	---------------

(1) Pulse Test: Pulse Width $\leq 300\text{ }\mu\text{s}$, Duty Cycle $\leq 1\%$.

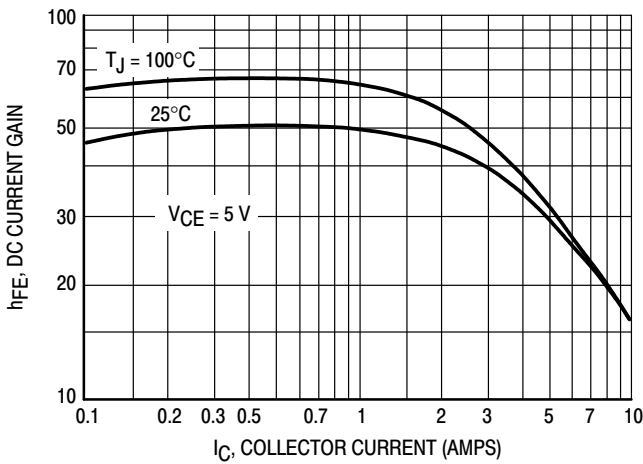


Figure 1. DC Current Gain

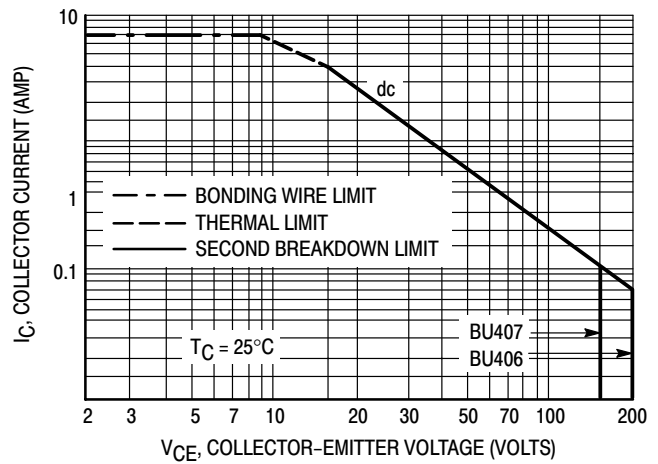
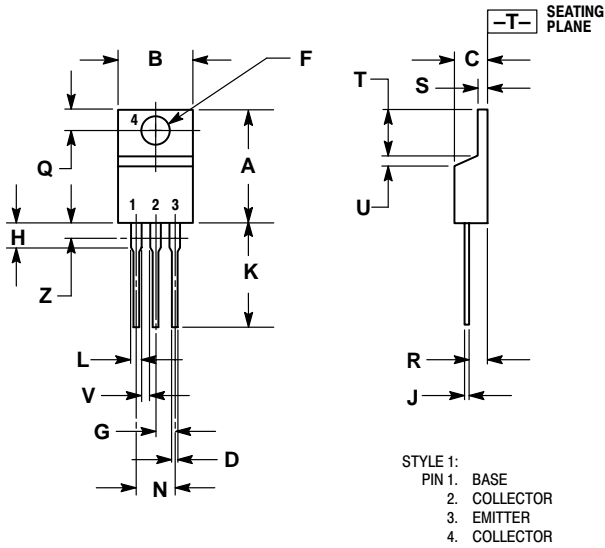


Figure 2. Maximum Rated Forward Bias Safe Operating Area

BU406 BU407

PACKAGE DIMENSIONS


TO-220AB CASE 221A-09 ISSUE AA



NOTES:

1. DIMENSIONING AND TOLERANCING PER ANSI Y14.5M, 1982.
2. CONTROLLING DIMENSION: INCH.
3. DIMENSION Z DEFINES A ZONE WHERE ALL BODY AND LEAD IRREGULARITIES ARE ALLOWED.

DIM	INCHES		MILLIMETERS	
	MIN	MAX	MIN	MAX
A	0.570	0.620	14.48	15.75
B	0.380	0.405	9.66	10.28
C	0.160	0.190	4.07	4.82
D	0.025	0.035	0.64	0.88
F	0.142	0.147	3.61	3.73
G	0.095	0.105	2.42	2.66
H	0.110	0.155	2.80	3.93
J	0.018	0.025	0.46	0.64
K	0.500	0.562	12.70	14.27
L	0.045	0.060	1.15	1.52
N	0.190	0.210	4.83	5.33
Q	0.100	0.120	2.54	3.04
R	0.080	0.110	2.04	2.79
S	0.045	0.055	1.15	1.39
T	0.235	0.255	5.97	6.47
U	0.000	0.050	0.00	1.27
V	0.045	---	1.15	---
Z	---	0.080	---	2.04

ON Semiconductor and  are registered trademarks of Semiconductor Components Industries, LLC (SCILLC). SCILLC reserves the right to make changes without further notice to any products herein. SCILLC makes no warranty, representation or guarantee regarding the suitability of its products for any particular purpose, nor does SCILLC assume any liability arising out of the application or use of any product or circuit, and specifically disclaims any and all liability, including without limitation special, consequential or incidental damages. "Typical" parameters which may be provided in SCILLC data sheets and/or specifications can and do vary in different applications and actual performance may vary over time. All operating parameters, including "Typicals" must be validated for each customer application by customer's technical experts. SCILLC does not convey any license under its patent rights nor the rights of others. SCILLC products are not designed, intended, or authorized for use as components in systems intended for surgical implant into the body, or other applications intended to support or sustain life, or for any other application in which the failure of the SCILLC product could create a situation where personal injury or death may occur. Should Buyer purchase or use SCILLC products for any such unintended or unauthorized application, Buyer shall indemnify and hold SCILLC and its officers, employees, subsidiaries, affiliates, and distributors harmless against all claims, costs, damages, and expenses, and reasonable attorney fees arising out of, directly or indirectly, any claim of personal injury or death associated with such unintended or unauthorized use, even if such claim alleges that SCILLC was negligent regarding the design or manufacture of the part. SCILLC is an Equal Opportunity/Affirmative Action Employer.

PUBLICATION ORDERING INFORMATION

Literature Fulfillment:

Literature Distribution Center for ON Semiconductor
P.O. Box 5163, Denver, Colorado 80217 USA
Phone: 303-675-2175 or 800-344-3860 Toll Free USA/Canada
Fax: 303-675-2176 or 800-344-3867 Toll Free USA/Canada
Email: ONlit@hibbertco.com

N. American Technical Support: 800-282-9855 Toll Free USA/Canada

JAPAN: ON Semiconductor, Japan Customer Focus Center
4-32-1 Nishi-Gotanda, Shinagawa-ku, Tokyo, Japan 141-0031
Phone: 81-3-5740-2700
Email: r14525@onsemi.com

ON Semiconductor Website: <http://onsemi.com>

For additional information, please contact your local Sales Representative.