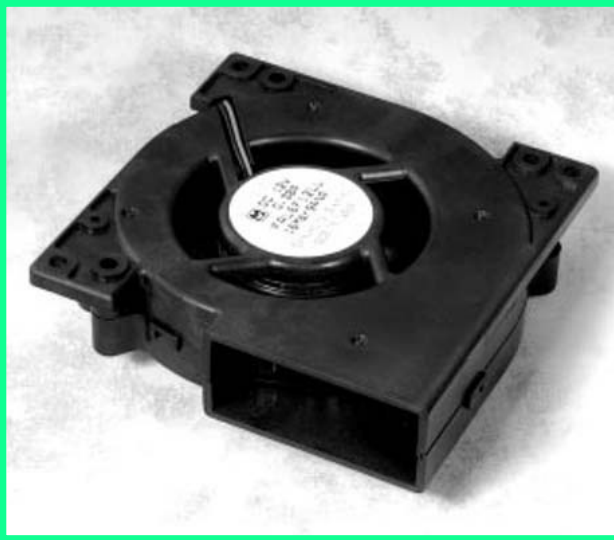


FAL6F



Features

- Operating Temperature: -10°C — +60°C (65% RH)
- Storage Temperature: -40°C — +75°C (65% RH)
- Bearing Type: Hydro Wave
- Optional third lead wire signal (Locked rotor alarm sensor)

Lead Wire

All lead wires are 275 mm in length ± 15 mm. (bare wire 10mm. ± 5mm.)

UL 1007 AWG26

Housing: Plastic:
(PET, PBT, ABS)

Size

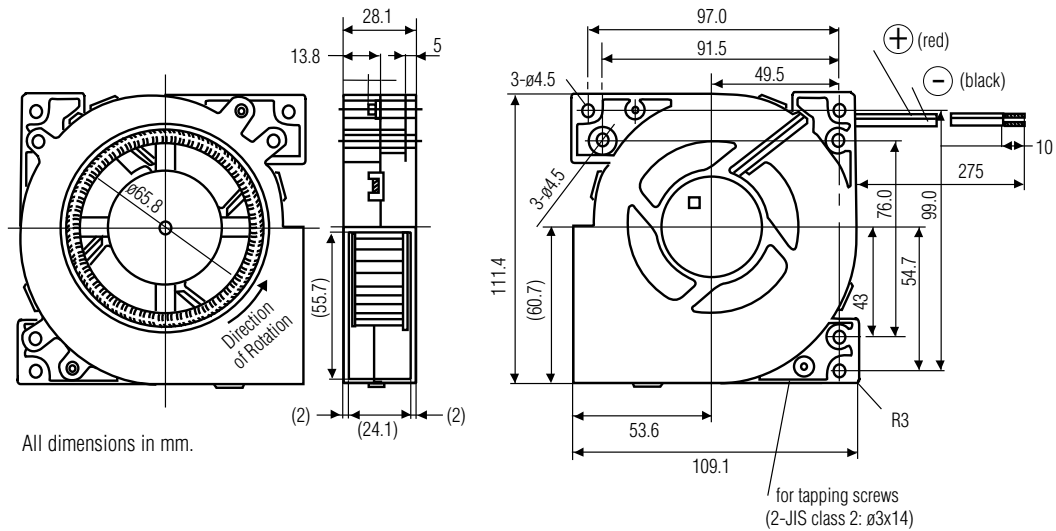
109.1 x 109.1 x 28.1
(4.31 x 4.31 x 1.11)

Weight

250 grams (8.82 ounces)

Case Quantity

40 per box



Conversion Factors

1 mm H₂O = 9.8 PA

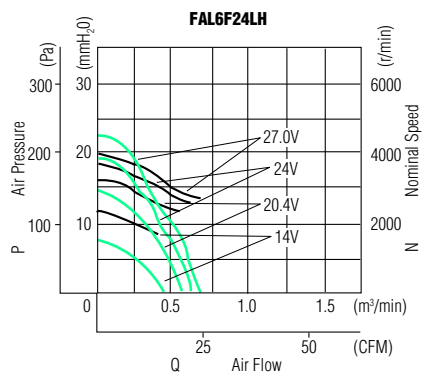
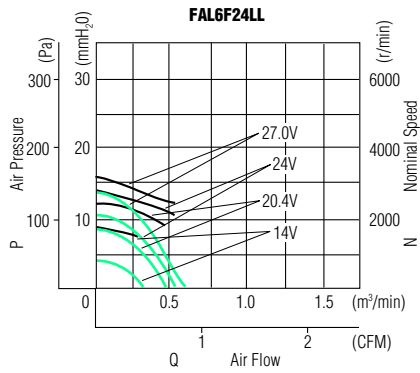
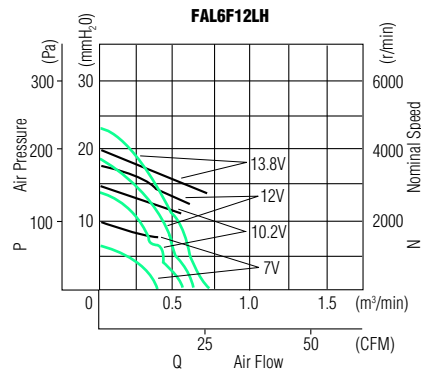
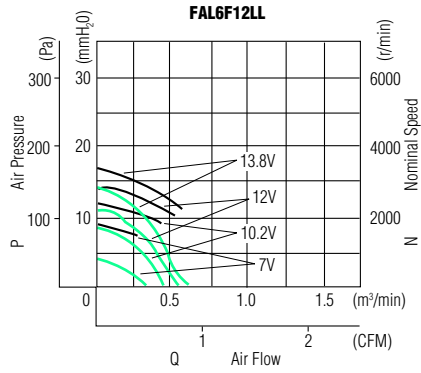
1 m³/min = 35.313 CFM

Basic Data (nominal at room temperature)

	Rated Voltage (V)	Operating Voltage (V)	Rated Current (mA)	Rated Input (W)	Nominal Speed (r/min)	Maximum Air Flow		Maximum Air Pressure		Noise (dB-A)
						(m ³ /min)	(CFM)	(mmH ₂ O)	(Pa)	
FAL6F12LL	12	7—13.8	280	3.36	2100	0.53	18.7	11.25	176.5	40.0
FAL6F12LH	12	7—13.8	500	6.00	2550	0.65	23.0	18.00	110.3	45.0
FAL6F24LL	24	14—27.0	155	3.72	2100	0.53	18.7	11.50	193.2	40.0
FAL6F24LH	24	14—27.0	295	7.08	2550	0.67	23.7	19.70	112.8	45.0

FAL6F

Characteristics



— P—Q
— N—Q