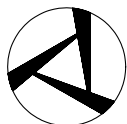


Spec No.	SS-021
Data	Oct 30, 2003
Version	First

SPECIFICATION

Product name :Rodan Spark Gap

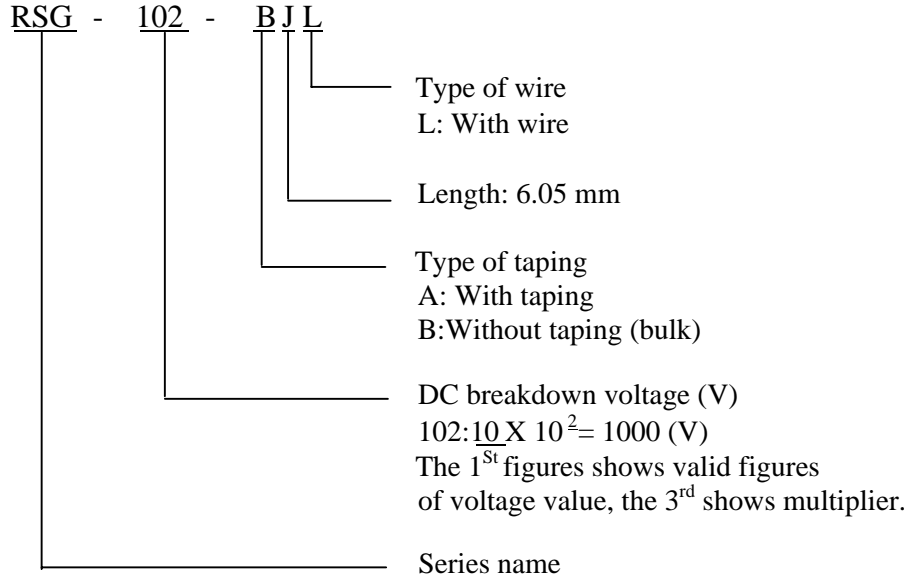
Type :RSG-102-BJL



Spec No.	SS-021
Data	Oct 30, 2003
Version	First

1. Scope This specification covers Rodan Spark Gap RSG-102-BJL.

2. Type designation



3. Appearance Structure

3-1 Dimension Refer to drawing 4R-4198-Y79

3-2 Display and contents Marking must not be disappeared easily, and it has to be identified.

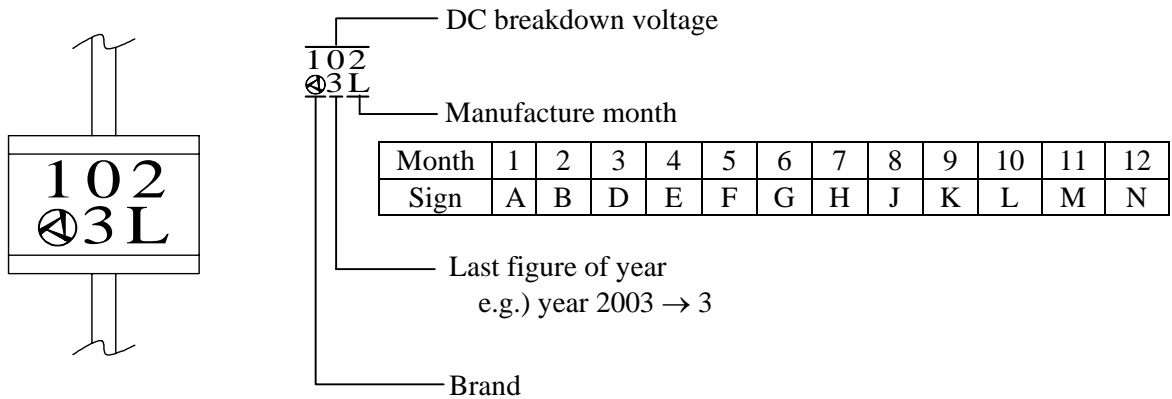
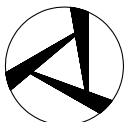


Fig.1 Example of marking

3-3 Materials Ceramic, Electrode, Lead wire etc

3-4 Plating treatment Tinning

3-5 Filler gas Ar, mixed gas (This product doesn't use radioisotope.)



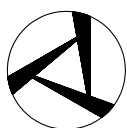
Spec No.	SS-021	P: 3/5
Data	Oct 30, 2003	
Version	First	

4. Electrical characteristics

No.	Item	Mark	Test condition	Standard values	
1	DC breakdown voltage	Ez	Switching times	1 s Max	1000 V \pm 15 %
			Ambient temperature	Room temperature	
			Test circuit 		
2	Insulation resistance	IR	DC100 V	1000 MΩ Min	
3	Electrostatic capacitance	C	1.0 kHz	2.0 pF Max	
4	Life test	-	Switching frequency	30Hz	Initial breakdown voltage 1390 V Max Following breakdown voltage 1000 V \pm 15 % Insulation resistance 100 MΩ Min (DC100 V)
			Switching times	2.5 s ON / 57.5 s OFF	
			Ambient temperature	Room temperature	
			Test circuit 		
			Minimum number of switching is 2×10^5 times, according to the above condition.		

*1 The above-mentioned electric characteristics are regulations of during darkness.

*2 This product may discharge less than 850 V that is lower limit of specification. This case is known as early ignition. Early ignition incidence is specified as maximum of 3 % by above test condition of section1 and section4.



Spec No.	SS-021
Data	Oct 30, 2003
Version	First

5. Switching frequency

Maximum switching frequency : 200 Hz

6. Operating condition

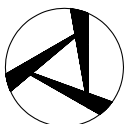
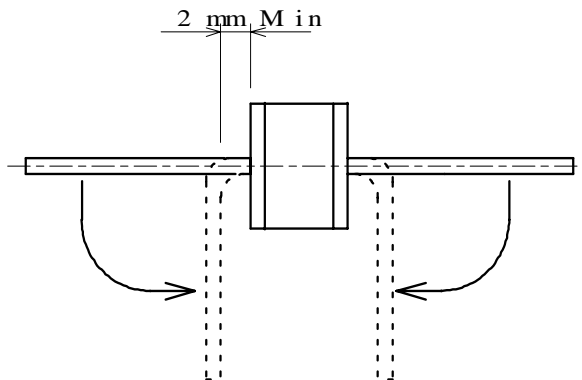
Operating temperature: -40C to +100C

7. Storage condition

Storage temperature: -40C to +100C

8. About forming

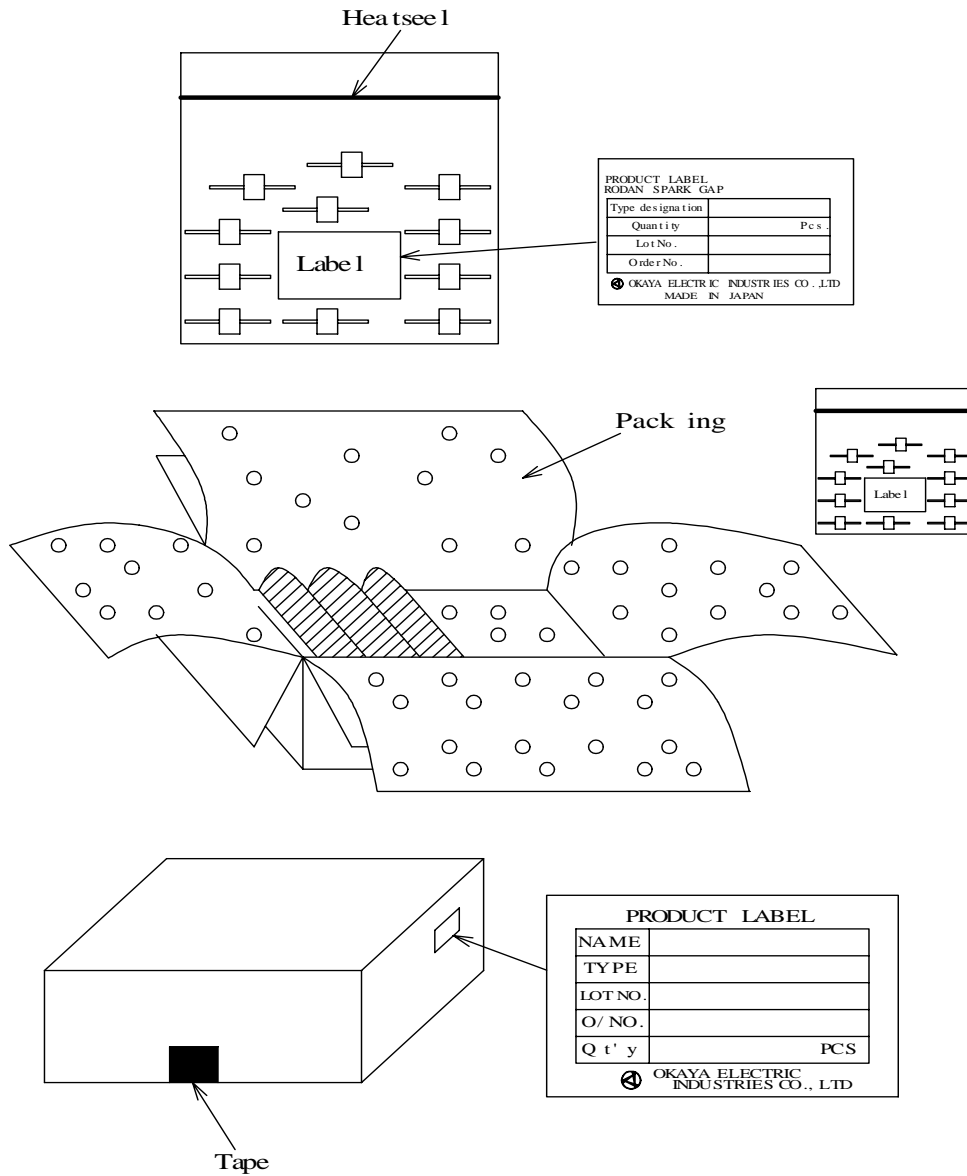
As regards forming of spark gap, please take distance more than 2mm from main body when you bend lead wire.
When performing a forming, please hold only lead wire and be careful not to give a stress on main body.

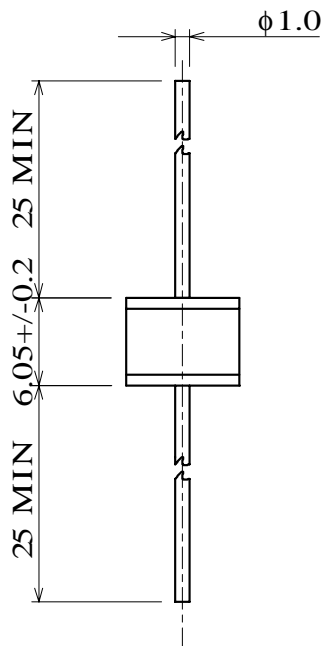
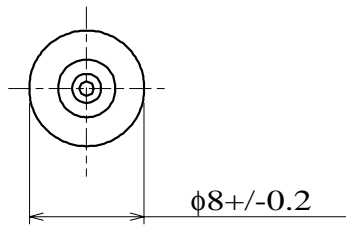


Spec No.	SS-021
Data	Oct 30, 2003
Version	First

9. Packing

Put 50 pcs. of RSG series and 1pc. of product label in a vinyl bag of specified size, seal the bag with a heatseal, put bags of quantity required a box, pack and stick product label on the box.





Weight: approx. 2 g

Ver.	Rev. data	History of rev.	Date	Scale	Product name	
			2003.5.27	2:1	Rodan spark gap	
					Type name	
					Outline dimension ($\Phi 8.0 \times 6.05 \text{ L}$)	
					Drawing No.	
OKAYA ELECTRIC AMERICA, INC.					4 R- 4198- Y79	4