

**PLEASE CHECK WWW.MOLEX.COM FOR LATEST PART INFORMATION**

**Part Number:** [0791081022](#)  
**Status:** **Active**  
**Overview:** milligrid  
**Description:** 2.00mm (.079") Pitch Milli-Grid™ Flex-to-Board Vertical Receptacle Dual Row Through-Hole, 0.38µm (15µ") Gold (Au) Selective Plating, 46 Circuits, Leadfree

**Documents:**

[3D Model](#) [Product Specification PS-79107 \(PDF\)](#)  
[Drawing \(PDF\)](#) [RoHS Certificate of Compliance \(PDF\)](#)

**Agency Certification**

CSA LR19980  
 UL E29179

**General**

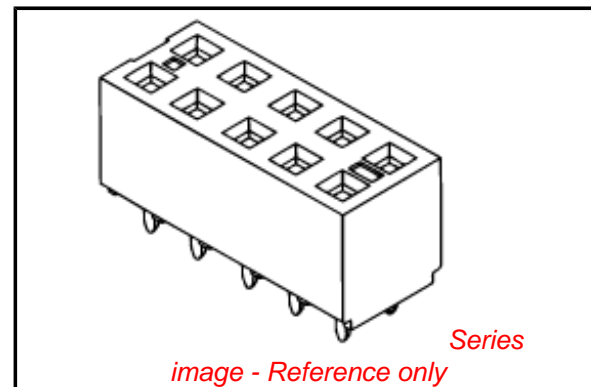
Product Family FFC/FPC Connectors  
 Series [79108](#)  
 Overview [milligrid](#)  
 Product Name Milli-Grid™

**Physical**

Circuits (Loaded) 46  
 Color - Resin Black  
 Contact Position Top  
 Durability (mating cycles max) 50  
 Entry Angle 90° Angle  
 Flammability 94V-0  
 Material - Metal Phosphor Bronze  
 Material - Plating Mating Gold  
 Material - Plating Termination Tin  
 Material - Resin High Temperature Thermoplastic  
 Number of Rows 2  
 Orientation Right Angle  
 PC Tail Length (in) 0.050 In  
 PC Tail Length (mm) 1.27 mm  
 PCB Locator No  
 PCB Retention None  
 PCB Thickness Recommended (in) 0.024 In  
 PCB Thickness Recommended (mm) 0.60 mm  
 Packaging Type Tube  
 Pitch - Mating Interface (in) 0.079 In  
 Pitch - Mating Interface (mm) 2.00 mm  
 Plating min: Mating (µin) 15  
 Plating min: Mating (µm) 0.375  
 Plating min: Termination (µin) 75  
 Plating min: Termination (µm) 1.875  
 Polarized to PCB No  
 Stackable No  
 Surface Mount Compatible (SMC) No  
 Temperature Range - Operating -55°C to +105°C  
 Termination Interface: Style Through Hole  
 Wire/Cable Type FFC/FPC

**Electrical**

Current - Maximum per Contact 1A  
 Voltage - Maximum 125V



**EU RoHS**

**ELV and RoHS Compliant**  
**REACH SVHC**  
 Not Reviewed  
**Halogen-Free Status**  
 Not Reviewed

**China RoHS**



**Need more information on product environmental compliance?**

Email [productcompliance@molex.com](mailto:productcompliance@molex.com)  
 For a multiple part number RoHS Certificate of Compliance, [click here](#)

Please visit the [Contact Us](#) section for any non-product compliance questions.

**Search Parts in this Series**

[79108Series](#)

**Mates With**

[87833](#) , [87832](#) , [87831](#) , [87758](#) , [87759](#) , [87760](#)

**Solder Process Data**

Lead-free Process Capability

Wave Capable (TH only)

**Material Info****Reference - Drawing Numbers**

Product Specification

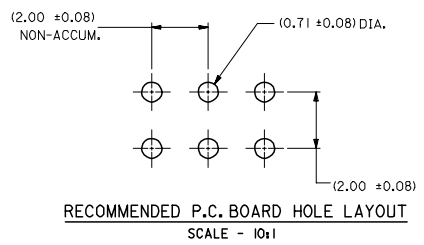
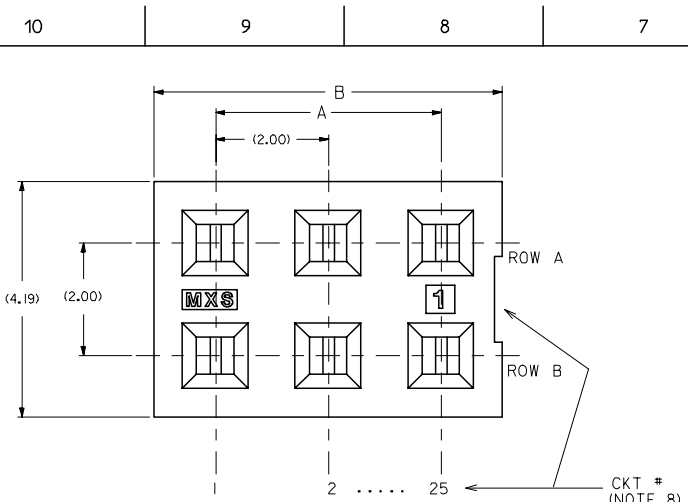
PS-79107

Sales Drawing

SDA-79108-\*\*\*\*

This document was generated on 05/20/2010

**PLEASE CHECK [WWW.MOLEX.COM](http://WWW.MOLEX.COM) FOR LATEST PART INFORMATION**

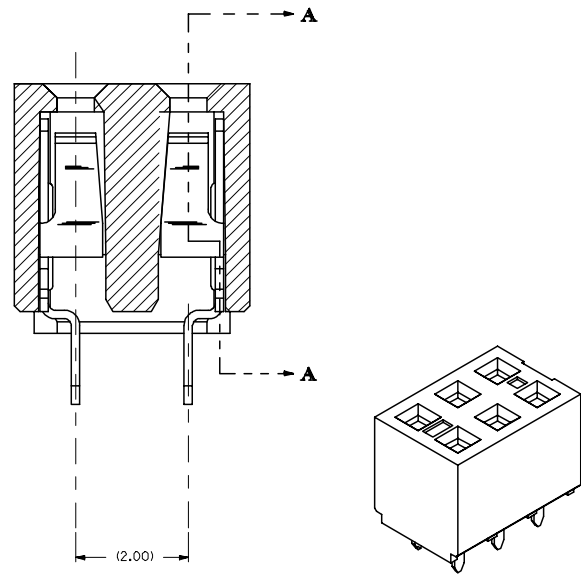
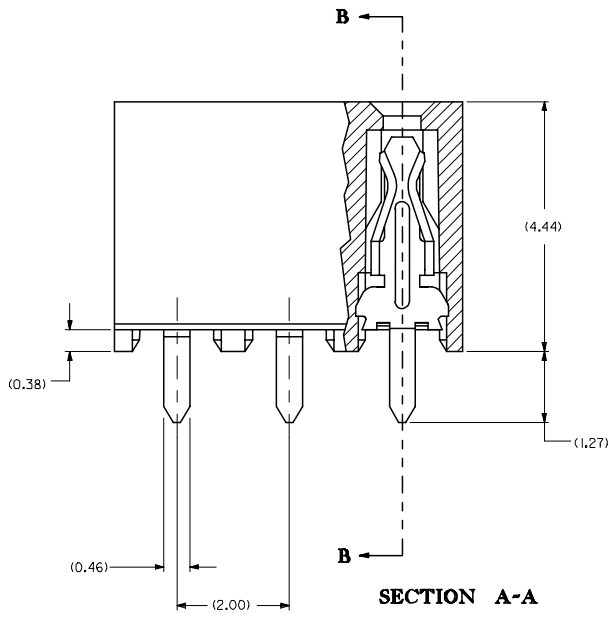


**NOTES:**

- 1 - HOUSING MATERIAL: GLASS FILLED LCP, COLOR: BLACK.
- 2 - TERMINAL MATERIAL: PHOSPHOR BRONZE
- 3 - SEE SHEET 2 FOR CIRCUIT SIZE, PART NUMBERS AND OVER-ALL DIMENSIONS.
- 4 - FOR ILLUSTRATION, 6 CIRCUIT ASSEMBLY SHOWN.
- 5 - REFER TO PRODUCT SPECIFICATION PS-79107.
- 6 - PACKAGING PER PK-70873-0180.
- 7 - SEE SHEET 3 FOR VOIDED ASSEMBLIES.
- 8 - CKTS. NUMBERED FROM LEFT TO RIGHT WHEN PART IS VIEWED FROM TOP WITH RECESS ON RIGHT AS SHOWN.

**PLATING OPTION :**

- (4) 0.76µm MIN. GOLD PLATE IN SELECTED AREA AND 1.91µm MIN. TIN IN SELECTED AREA OVER 1.27µm MIN. NICKEL OVER-ALL
- (5) 0.38µm MIN. GOLD PLATE IN SELECTED AREA AND 1.91µm MIN. TIN IN SELECTED AREA OVER 1.27µm MIN. NICKEL OVER-ALL
- (6) 0.13µm MIN. GOLD PLATE IN SELECTED AREA AND 1.91µm MIN. TIN IN SELECTED AREA OVER 1.27µm MIN. NICKEL OVER-ALL



REVISE PDR#S1436	2006/12/07
EC NO: S2007-0532	2006/12/07
DRWN:KELIM	2006/12/07
CHKD:M.LONG	2006/12/07
APPR:SKTOH	2006/12/07
REV	DESCRIPTION
F2	

QUALITY SYMBOLS	▽=0
	▽C=0

GENERAL TOLERANCES (UNLESS SPECIFIED)	
	mm      INCH
4 PLACES	± ---    ± ---
3 PLACES	± 0.10   ± ---
2 PLACES	± 0.15   ± ---
1 PLACE	± ---    ± ---
ANGULAR ±1/2°	
DRAFT WHERE APPLICABLE MUST REMAIN WITHIN DIMENSIONS	

DIMENSION STYLE	
MM ONLY	
DRAWN BY	DATE
AAB	1998/05/15
CHECKED BY	DATE
MJM	1998/05/15
APPROVED BY	DATE
WAZ	1998/05/15
MATERIAL NO.	
SEE TABLE	
SIZE	A3

SCALE	DESIGN UNITS	THIRD ANGLE PROJECTION
NTS	METRIC	
TITLE		SHEET NO.
2MM DUAL ROW, FFC VERTICAL RECEPTACLE		1 OF 4
MOLEX INCORPORATED		
DOCUMENT NO.		
SDA-79108-****		

10 9 8 7 6 5 4 3 2 1

F

F

E

E

D

D

C

C

B

B

A

A

CKT. SIZE	DIM. "A"	DIM. "B"	PLATING OPTION 5		PLATING OPTION 4		PLATING OPTION 6	
			EDP NO.	ENG. NO.	EDP NO.	ENG. NO.	EDP NO.	ENG. NO.
04	(2.00)	(4.19)	791081001	79108-1001	791081051	79108-1051	NOT TOOLED	79108-1101
06	(4.00)	(6.19)	791081002	79108-1002	791081052	79108-1052		79108-1102
08	(6.00)	(8.19)	791081003	79108-1003	791081053	79108-1053		79108-1103
10	(8.00)	(10.19)	791081004	79108-1004	791081054	79108-1054		79108-1104
12	(10.00)	(12.19)	791081005	79108-1005	791081055	79108-1055		79108-1105
14	(12.00)	(14.19)	791081006	79108-1006	791081056	79108-1056		79108-1106
16	(14.00)	(16.19)	791081007	79108-1007	791081057	79108-1057		79108-1107
18	(16.00)	(18.19)	791081008	79108-1008	791081058	79108-1058		79108-1108
20	(18.00)	(20.19)	791081009	79108-1009	791081059	79108-1059		79108-1109
22	(20.00)	(22.19)	791081010	79108-1010	791081060	79108-1060		79108-1110
24	(22.00)	(24.19)	791081011	79108-1011	791081061	79108-1061		79108-1111
26	(24.00)	(26.19)	791081012	79108-1012	791081062	79108-1062		79108-1112
28	(26.00)	(28.19)	791081013	79108-1013	791081063	79108-1063		79108-1113
30	(28.00)	(30.19)	791081014	79108-1014	791081064	79108-1064		79108-1114
32	(30.00)	(32.19)	791081015	79108-1015	791081065	79108-1065		79108-1115
34	(32.00)	(34.19)	791081016	79108-1016	791081066	79108-1066		79108-1116
36	(34.00)	(36.19)	791081017	79108-1017	791081067	79108-1067		79108-1117
38	(36.00)	(38.19)	791081018	79108-1018	791081068	79108-1068		79108-1118
40	(38.00)	(40.19)	791081019	79108-1019	791081069	79108-1069		79108-1119
42	(40.00)	(42.19)	791081020	79108-1020	791081070	79108-1070		79108-1120
44	(42.00)	(44.19)	791081021	79108-1021	791081071	79108-1071		79108-1121
46	(44.00)	(46.19)	791081022	79108-1022	791081072	79108-1072		79108-1122
48	(46.00)	(48.19)	791081023	79108-1023	791081073	79108-1073		79108-1123
50	(48.00)	(50.19)	791081024	79108-1024	791081074	79108-1074		79108-1124

REVISE PDR#S1436 EC NO: S2007-0532 DRWN:KELIM 2006/12/06 CHKD:M.LONG 2006/12/07 APPR:SKTOH 2006/12/07	QUALITY SYMBOLS ▽=0 ▽=0	GENERAL TOLERANCES (UNLESS SPECIFIED)		DIMENSION STYLE MM ONLY		SCALE NTS	DESIGN UNITS METRIC	THIRD ANGLE PROJECTION		
		4 PLACES ± --- ± --- 3 PLACES ± 0.10 ± --- 2 PLACES ± 0.15 ± --- 1 PLACE ± --- ± ---		mm INCH		DRAWN BY AAB	DATE 1998/05/15	TITLE 2MM DUAL ROW, FFC VERTICAL RECEPTACLE		
		ANGULAR ±1/2°		CHECKED BY MJM	DATE 1998/05/15					
		DRAFT WHERE APPLICABLE MUST REMAIN WITHIN DIMENSIONS		SEE TABLE		APPROVED BY WAZ	DATE 1998/05/15	MOLEX INCORPORATED		SHEET NO. 2 OF 4

9 8 7 6 5 4 3 2 1

# MOLDED VOID OPTION

CKT. SIZE	ASSEMBLY		VOID LOCATION(S) SEE SHEET 1 FOR CONVENTION		PLATING OPTION	DIM. "A"	DIM. "B"
	EDP NO.	ENG. NO.	ROW	CKT. NO.(S)			
44	791085003	79108-5003	ROW A	13	4	(42.00)	(44.19)
44	791085004	79108-5004	ROW B	10	4	(42.00)	(44.19)

NOTES:

1. TERMINALS WILL BE PRESENT IN VOIDED LOCATIONS HOWEVER, PIN WINDOWS WILL BE CLOSED.
2. VOIDS CAN ONLY BE PRESENT IN ONE ROW OF THE CONNECTOR.

REVISE PDR#S1436 EC NO: S2007-0532 DRWN:KELIM CHKD:M.LONG APPR:SKTOH	2006/12/06 2006/12/07 2006/12/07	QUALITY SYMBOLS ▽=0 ◻=0	GENERAL TOLERANCES (UNLESS SPECIFIED)		DIMENSION STYLE MM ONLY		SCALE NTS	DESIGN UNITS METRIC	THIRD ANGLE PROJECTION			
					mm	INCH	DRAWN BY AAB	DATE 1998/05/15	TITLE 2MM DUAL ROW, FFC VERTICAL RECEPTACLE			
					4 PLACES ± ---	± ---	CHECKED BY MJM	DATE 1998/05/15				
					3 PLACES ± 0.10	± ---	APPROVED BY WAZ	DATE 1998/05/15	MOLEX INCORPORATED DOCUMENT NO. SDA-79108-****			
			2 PLACES ± 0.15	± ---	MATERIAL NO.		SHEET NO.					
			1 PLACE ± ---	± ---	DRAFT WHERE APPLICABLE MUST REMAIN WITHIN DIMENSIONS		SIZE A3		THIS DRAWING CONTAINS INFORMATION THAT IS PROPRIETARY TO MOLEX INCORPORATED AND SHOULD NOT BE USED WITHOUT WRITTEN PERMISSION			
			ANGULAR ±1/2°		SEE TABLE		3 OF 4					

10

9

8

7

6

5

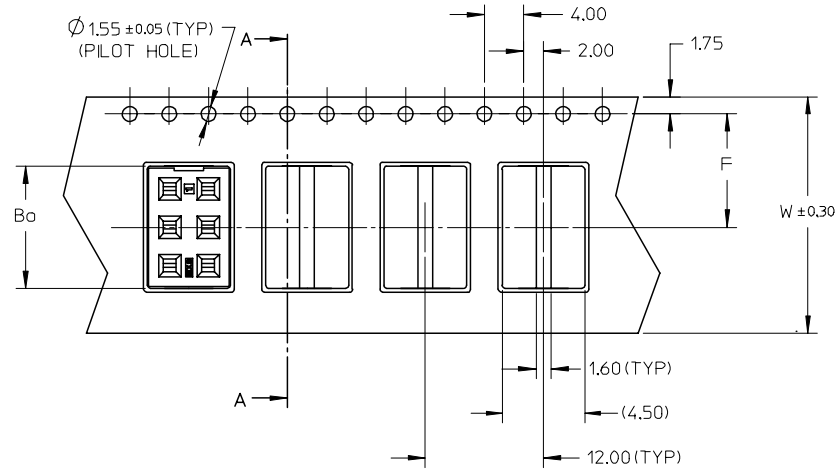
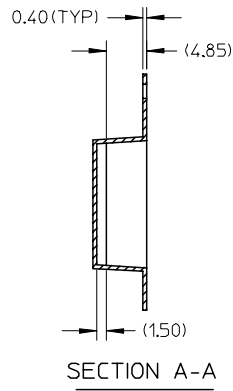
4

3

2

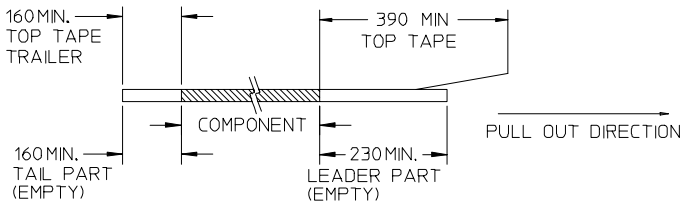
1

ASSEMBLY P/N PACKED IN T&R	CKT SIZE	PLATING OPTION	DIM A	DIM B	(F)	(Bo)	(W)
79108-6001	16	5	14.00	16.19	11.50	16.60	24.00

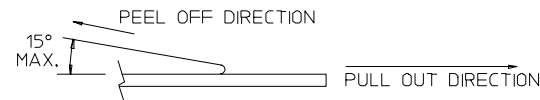


NOTES:

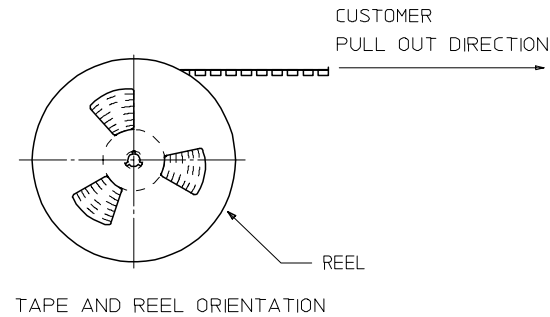
1. LEADER AND TRAILER TAPE



2. PEELING OFF FORCE OF THE TOP TAPE: 20-80gf. (PEELING DIRECTION AS SHOWN IN FOLLOWING FIGURE)



- 3. PACKAGING STANDARD IS AS PER EIA-481.
- 4. THE TAPE IS TREATED FOR ANTI-STATIC.
- 5. MATERIAL: CLEAR POLYSTYRENE.
- 6. TAPE & REEL QUANTITY = 800 PCS/REEL



REVISE PDR#S1436	2006/12/06	QUALITY SYMBOLS
EC NO: S2007-0532	2006/12/07	▽=0
DRWN:KELIM	2006/12/07	▽C=0
CHKD:M.LONG		
APPR:SKTOH		
DESCRIPTION		
REV		

GENERAL TOLERANCES (UNLESS SPECIFIED)	
mm	INCH
4 PLACES ± ---	± ---
3 PLACES ± 0.10	± ---
2 PLACES ± 0.15	± ---
1 PLACE ± ---	± ---
ANGULAR ±1/2°	
DRAFT WHERE APPLICABLE MUST REMAIN WITHIN DIMENSIONS	

DIMENSION STYLE MM ONLY	
DRAWN BY	DATE
AAB	1998/05/15
CHECKED BY	DATE
MJM	1998/05/15
APPROVED BY	DATE
WAZ	1998/05/15
MATERIAL NO.	
SEE TABLE	
SIZE	
A3	

SCALE NTS	DESIGN UNITS METRIC	THIRD ANGLE PROJECTION
TITLE 2MM DUAL ROW, FFC VERTICAL RECEPTACLE		
MOLEX INCORPORATED		
MATERIAL NO.	DOCUMENT NO.	SHEET NO.
SEE TABLE	SDA-79108-****	4 OF 4
THIS DRAWING CONTAINS INFORMATION THAT IS PROPRIETARY TO MOLEX INCORPORATED AND SHOULD NOT BE USED WITHOUT WRITTEN PERMISSION		

9

8

7

6

5

4

3

2

1