



STW8NA60 STH8NA60FI

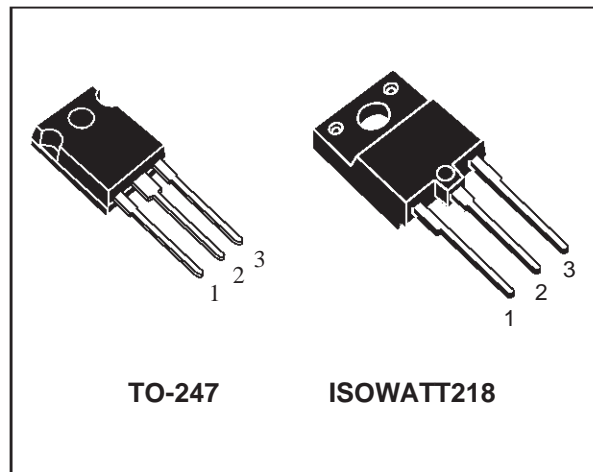
N - CHANNEL ENHANCEMENT MODE FAST POWER MOS TRANSISTOR

| TYPE | V _{DSS} | R _{DS(on)} | I _D |
|------------|------------------|---------------------|----------------|
| STW8NA60 | 600 V | < 1 Ω | 8 A |
| STH8NA60FI | 600 V | < 1 Ω | 5 A |

- TYPICAL R_{DS(on)} = 0.92 Ω
- ± 30V GATE TO SOURCE VOLTAGE RATING
- 100% AVALANCHE TESTED
- REPETITIVE AVALANCHE DATA AT 100°C
- LOW INTRINSIC CAPACITANCES
- GATE CHARGE MINIMIZED
- REDUCED THRESHOLD VOLTAGE SPREAD

APPLICATIONS

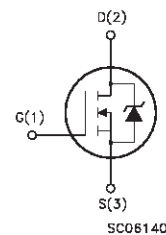
- HIGH CURRENT, HIGH SPEED SWITCHING
- SWITCH MODE POWER SUPPLIES (SMPS)
- DC-AC CONVERTERS FOR WELDING EQUIPMENT AND UNINTERRUPTIBLE POWER SUPPLIES AND MOTOR DRIVE



TO-247

ISOWATT218

INTERNAL SCHEMATIC DIAGRAM



ABSOLUTE MAXIMUM RATINGS

| Symbol | Parameter | Value | | Unit |
|---------------------|---|------------|------------|------|
| | | STW8NA60 | STH8NA60FI | |
| V _{DS} | Drain-source Voltage (V _{GS} = 0) | 600 | | V |
| V _{DGR} | Drain- gate Voltage (R _{GS} = 20 kΩ) | 600 | | V |
| V _{GS} | Gate-source Voltage | ± 30 | | V |
| I _D | Drain Current (continuous) at T _c = 25 °C | 8 | 5 | A |
| I _D | Drain Current (continuous) at T _c = 100 °C | 5.1 | 3.2 | A |
| I _{DM} (•) | Drain Current (pulsed) | 32 | 32 | A |
| P _{tot} | Total Dissipation at T _c = 25 °C | 150 | 60 | W |
| | Derating Factor | 1.2 | 0.48 | W/°C |
| V _{ISO} | Insulation Withstand Voltage (DC) | — | 4000 | V |
| T _{stg} | Storage Temperature | -65 to 150 | | °C |
| T _j | Max. Operating Junction Temperature | 150 | | °C |

(•) Pulse width limited by safe operating area

STW8NA60-STH8NA60FI**THERMAL DATA**

| | | | TO-247 | ISOWATT218 | |
|-----------------------|--|-----|--------|------------|------|
| R _{thj-case} | Thermal Resistance Junction-case | Max | 0.83 | 2.08 | °C/W |
| R _{thj-amb} | Thermal Resistance Junction-ambient | Max | 30 | | °C/W |
| R _{thc-sink} | Thermal Resistance Case-sink | Typ | 0.1 | | °C/W |
| T _l | Maximum Lead Temperature For Soldering Purpose | | 300 | | °C |

AVALANCHE CHARACTERISTICS

| Symbol | Parameter | Max Value | Unit |
|-----------------|--|-----------|------|
| I _{AR} | Avalanche Current, Repetitive or Not-Repetitive (pulse width limited by T _j max, δ < 1%) | 8 | A |
| E _{AS} | Single Pulse Avalanche Energy (starting T _j = 25 °C, I _D = I _{AR} , V _{DD} = 50 V) | 480 | mJ |

ELECTRICAL CHARACTERISTICS (T_{case} = 25 °C unless otherwise specified)**OFF**

| Symbol | Parameter | Test Conditions | Min. | Typ. | Max. | Unit |
|----------------------|---|--|------|------|-----------|----------|
| V _{(BR)DSS} | Drain-source Breakdown Voltage | I _D = 250 μA V _{GS} = 0 | 600 | | | V |
| I _{DSS} | Zero Gate Voltage Drain Current (V _{GS} = 0) | V _{DS} = Max Rating V _{DS} = Max Rating T _c = 100 °C | | | 25 250 | μA μA |
| I _{GSS} | Gate-body Leakage Current (V _{DS} = 0) | V _{GS} = ± 30 V | | | ± 100 | nA |

ON (*)

| Symbol | Parameter | Test Conditions | Min. | Typ. | Max. | Unit |
|---------------------|-----------------------------------|---|------|------|------|------|
| V _{GS(th)} | Gate Threshold Voltage | V _{DS} = V _{GS} I _D = 250 μA | 2.25 | 3 | 3.75 | V |
| R _{DS(on)} | Static Drain-source On Resistance | V _{GS} = 10V I _D = 4 A | | 0.92 | 1 | Ω |
| I _{D(on)} | On State Drain Current | V _{DS} > I _{D(on)} × R _{DS(on)max} V _{GS} = 10 V | 8 | | | A |

DYNAMIC

| Symbol | Parameter | Test Conditions | Min. | Typ. | Max. | Unit |
|---------------------|------------------------------|--|------|------|------|------|
| g _{fs} (*) | Forward Transconductance | V _{DS} > I _{D(on)} × R _{DS(on)max} I _D = 4 A | 4.5 | 6.6 | | S |
| C _{iss} | Input Capacitance | V _{DS} = 25 V f = 1 MHz V _{GS} = 0 | | 1350 | 1690 | pF |
| C _{oss} | Output Capacitance | | | 175 | 230 | pF |
| C _{rss} | Reverse Transfer Capacitance | | | 45 | 60 | pF |

ELECTRICAL CHARACTERISTICS (continued)**SWITCHING ON**

| Symbol | Parameter | Test Conditions | Min. | Typ. | Max. | Unit |
|----------------|-----------------------|--|------|------|------|------------------|
| $t_{d(on)}$ | Turn-on Time | $V_{DD} = 300\text{ V}$ $I_D = 4\text{ A}$ $R_G = 4.7\ \Omega$ $V_{GS} = 10\text{ V}$ (see test circuit, figure 3) | | 20 | 28 | ns |
| t_r | Rise Time | | | 35 | 35 | ns |
| $(di/dt)_{on}$ | Turn-on Current Slope | $V_{DD} = 480\text{ V}$ $I_D = 8\text{ A}$ $R_G = 47\ \Omega$ $V_{GS} = 10\text{ V}$ (see test circuit, figure 5) | | 200 | | A/ μs |
| Q_g | Total Gate Charge | $V_{DD} = 480\text{ V}$ $I_D = 8\text{ A}$ $V_{GS} = 10\text{ V}$ | | 58 | 82 | nC |
| Q_{gs} | Gate-Source Charge | | | 9 | | nC |
| Q_{gd} | Gate-Drain Charge | | | 27 | | nC |

SWITCHING OFF

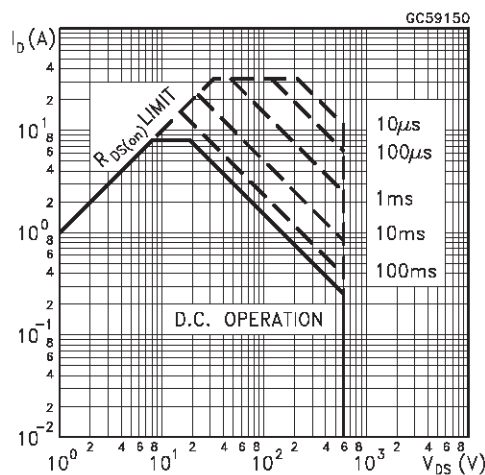
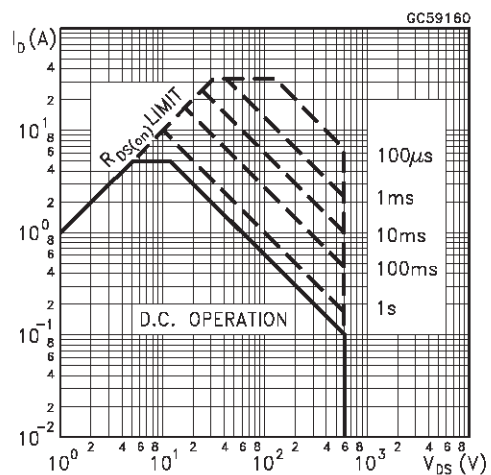
| Symbol | Parameter | Test Conditions | Min. | Typ. | Max. | Unit |
|--------------|-----------------------|--|------|------|------|------|
| $t_{r(off)}$ | Off-voltage Rise Time | $V_{DD} = 640\text{ V}$ $I_D = 8\text{ A}$ $R_G = 4.7\ \Omega$ $V_{GS} = 10\text{ V}$ (see test circuit, figure 5) | | 16 | 23 | ns |
| t_f | Fall Time | | | 16 | 23 | ns |
| t_c | Cross-over Time | | | 26 | 37 | ns |

SOURCE DRAIN DIODE

| Symbol | Parameter | Test Conditions | Min. | Typ. | Max. | Unit |
|--------------------|-------------------------------|---|------|------|------|---------------|
| I_{SD} | Source-drain Current | | | | 8 | A |
| $I_{SDM}(\bullet)$ | Source-drain Current (pulsed) | | | | 32 | A |
| $V_{SD}(\ast)$ | Forward On Voltage | $I_{SD} = 8\text{ A}$ $V_{GS} = 0$ | | | 1.6 | V |
| t_{rr} | Reverse Recovery Time | $I_{SD} = 8\text{ A}$ $di/dt = 100\text{ A}/\mu\text{s}$ $V_{DD} = 100\text{ V}$ $T_j = 150\text{ }^\circ\text{C}$ (see test circuit, figure 5) | | 600 | | ns |
| Q_{rr} | Reverse Recovery Charge | | | 10 | | μC |
| I_{RRM} | Reverse Recovery Current | | | 33 | | A |

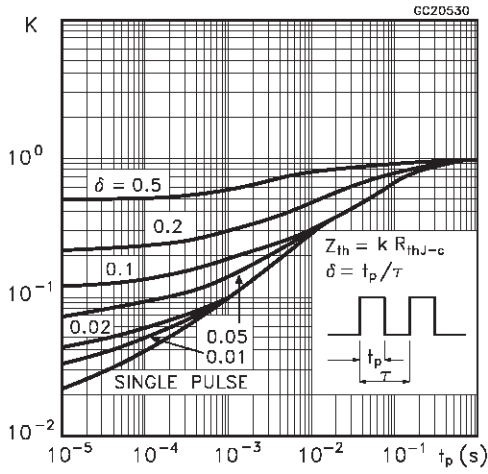
(*) Pulsed: Pulse duration = 300 μs , duty cycle 1.5 %

(•) Pulse width limited by safe operating area

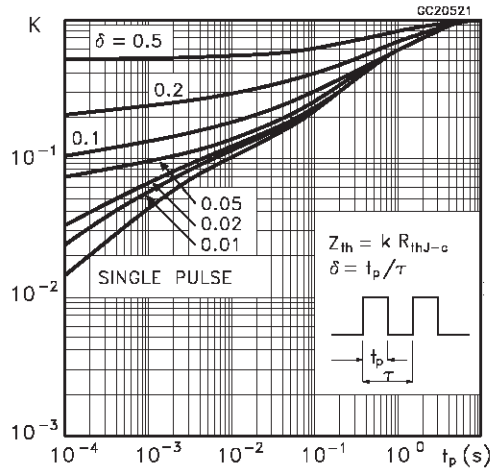
Safe Operating Area for TO-247**Safe Operating Area for ISOWATT218**

STW8NA60-STH8NA60FI

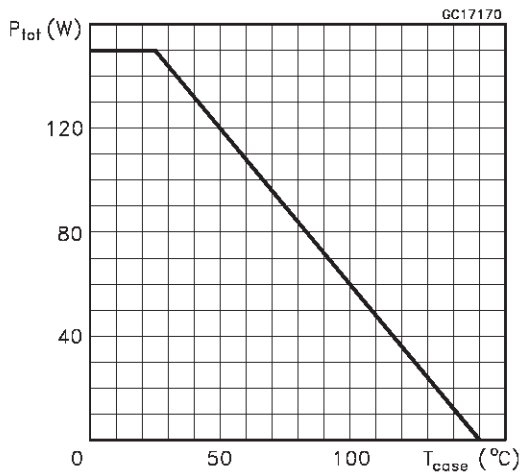
Thermal Impedance for TO-247



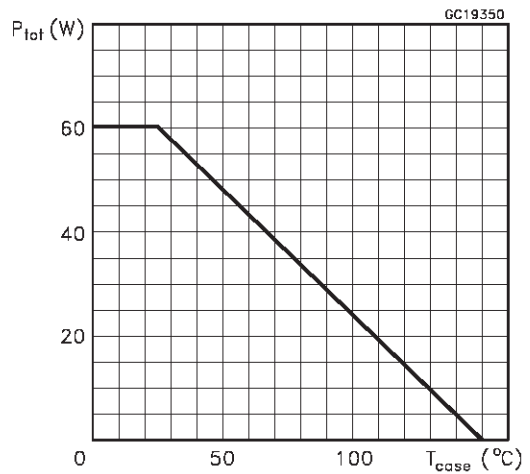
Thermal Impedance for ISOWATT218



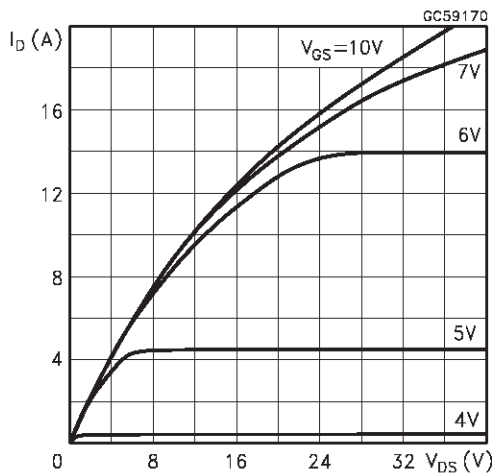
Derating Curve for TO-247



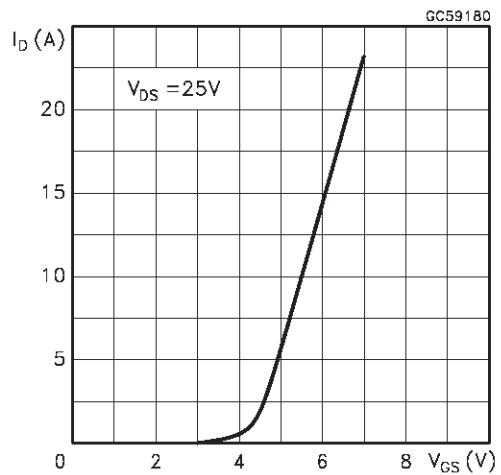
Derating Curve for ISOWATT218



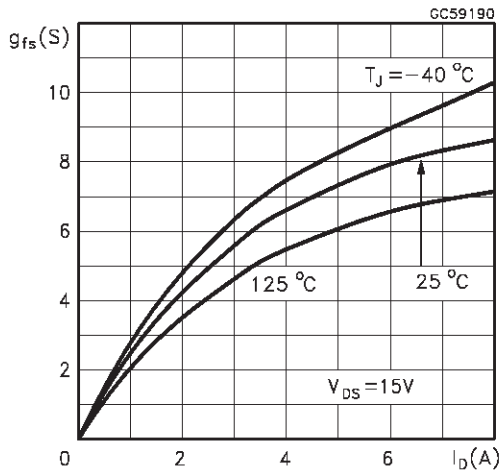
Output Characteristics



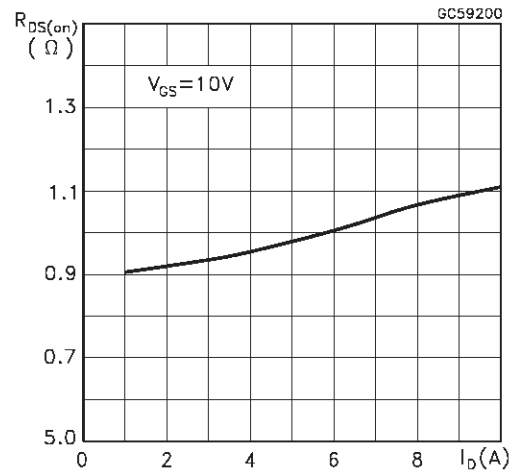
Transfer Characteristics



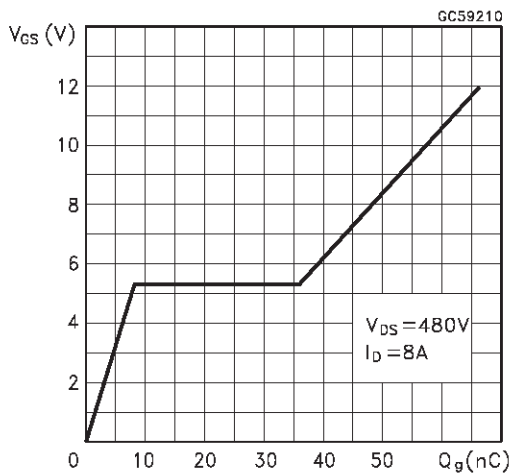
Transconductance



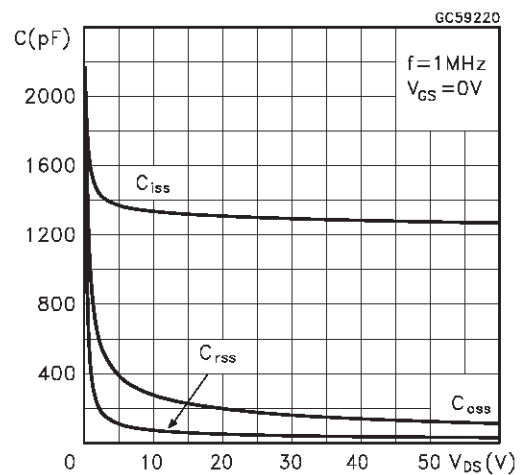
Static Drain-source On Resistance



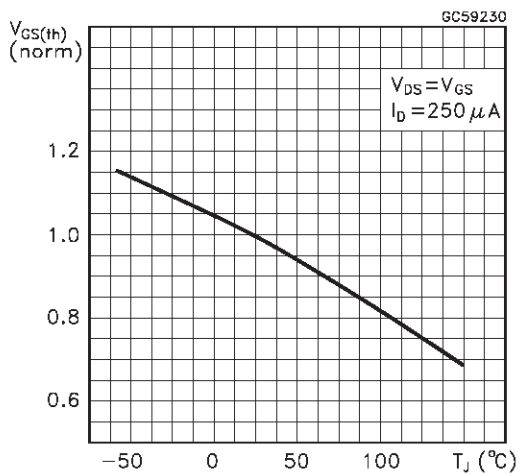
Gate Charge vs Gate-source Voltage



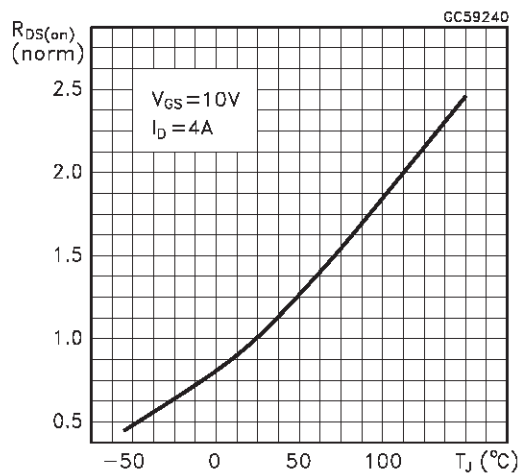
Capacitance Variations



Normalized Gate Threshold Voltage vs Temperature

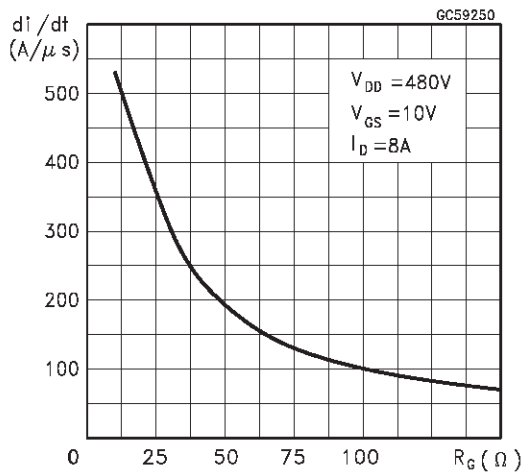


Normalized On Resistance vs Temperature

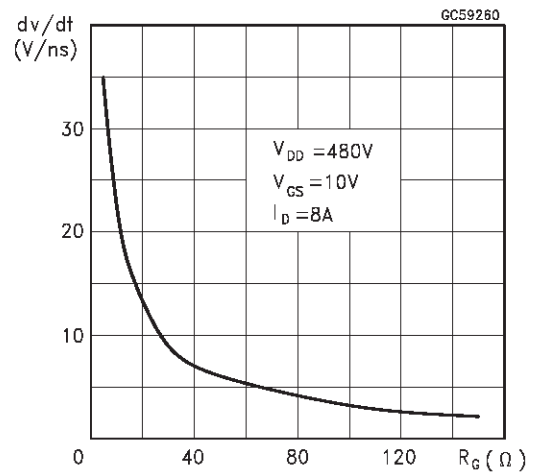


STW8NA60-STH8NA60FI

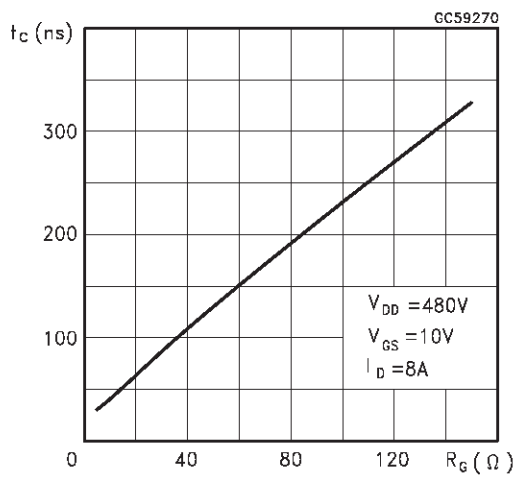
Turn-on Current Slope



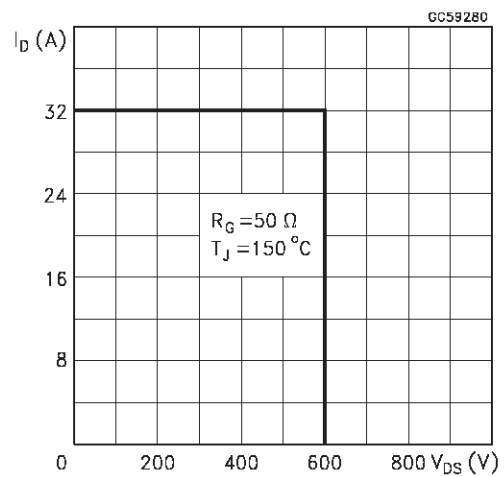
Turn-off Drain-source Voltage Slope



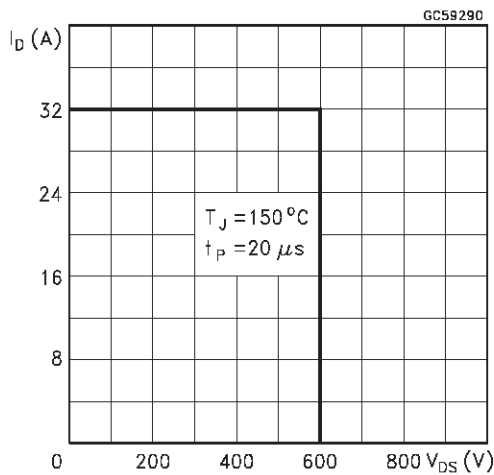
Cross-over Time



Switching Safe Operating Area



Accidental Overload Area



Source-drain Diode Forward Characteristics

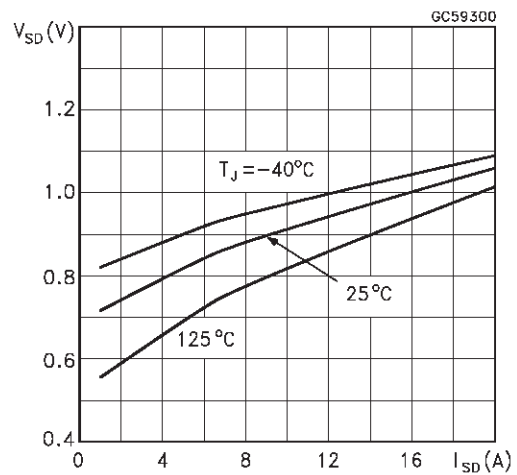


Fig. 1: Unclamped Inductive Load Test Circuit

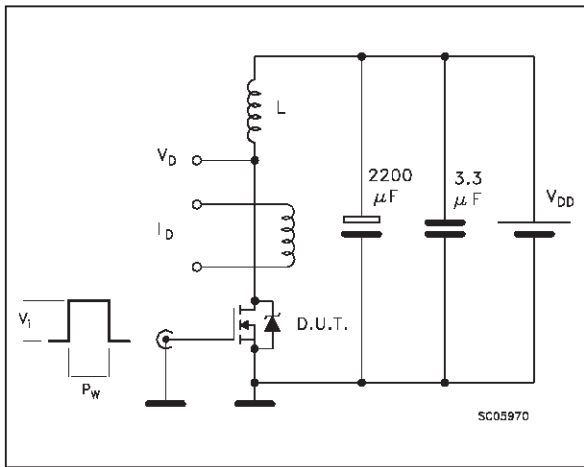


Fig. 2: Unclamped Inductive Waveform

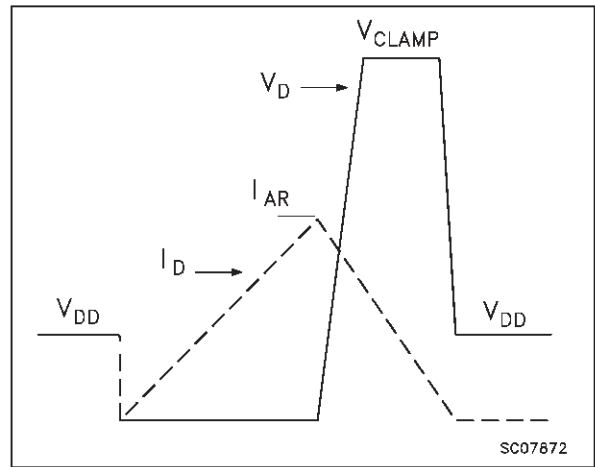


Fig. 3: Switching Times Test Circuits For Resistive Load

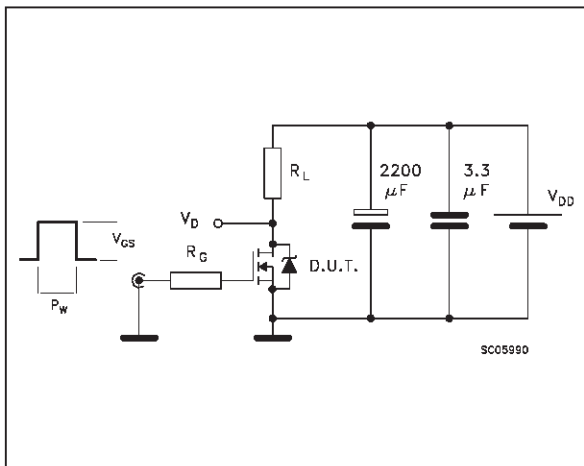


Fig. 4: Gate Charge test Circuit

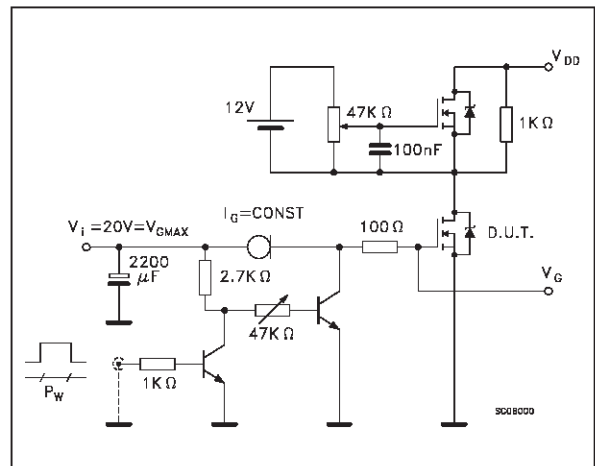
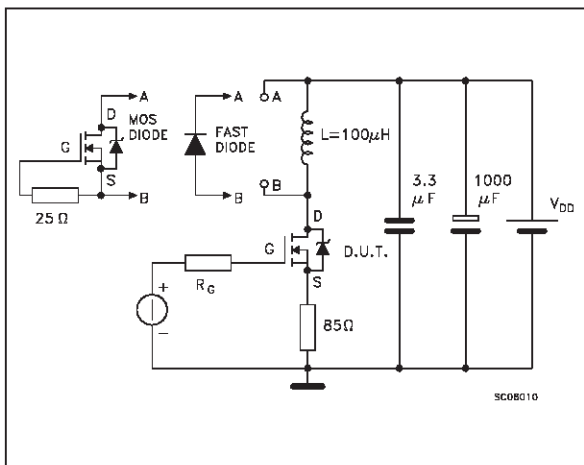


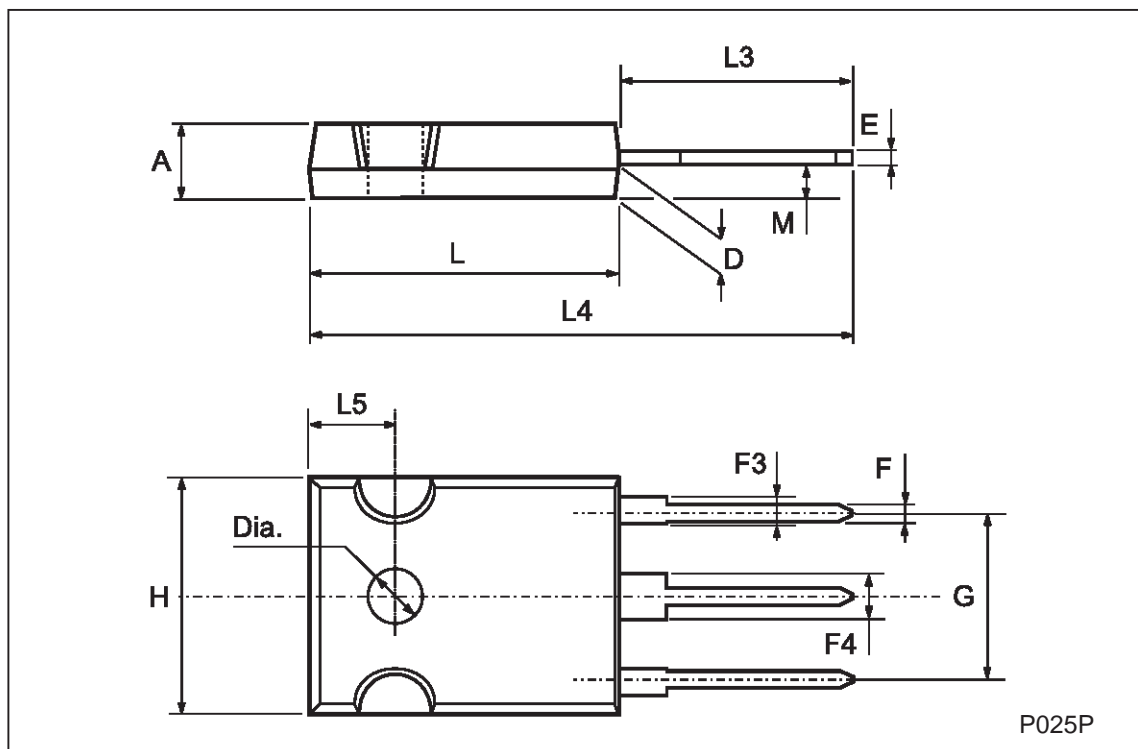
Fig. 5: Test Circuit For Inductive Load Switching And Diode Recovery Times



STW8NA60-STH8NA60FI

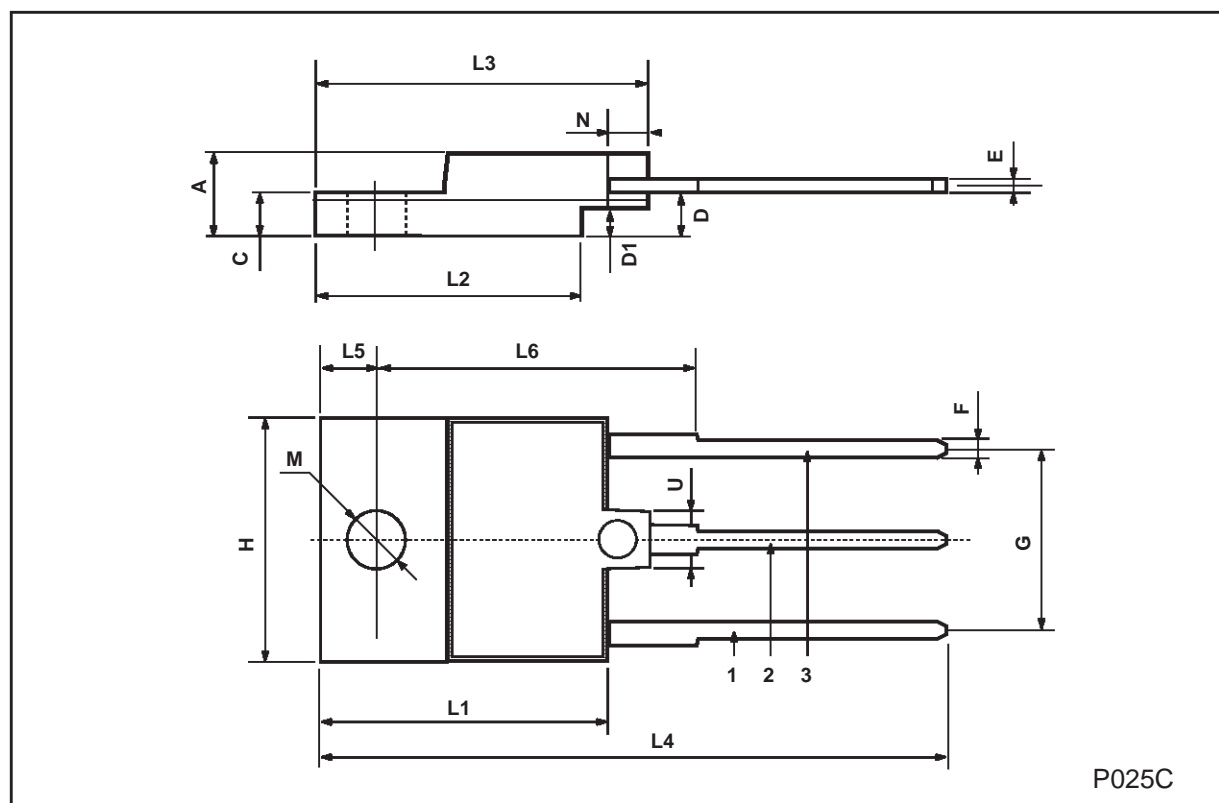
TO-247 MECHANICAL DATA

| DIM. | mm | | | inch | | |
|------|------|------|------|-------|-------|-------|
| | MIN. | TYP. | MAX. | MIN. | TYP. | MAX. |
| A | 4.7 | | 5.3 | 0.185 | | 0.209 |
| D | 2.2 | | 2.6 | 0.087 | | 0.102 |
| E | 0.4 | | 0.8 | 0.016 | | 0.031 |
| F | 1 | | 1.4 | 0.039 | | 0.055 |
| F3 | 2 | | 2.4 | 0.079 | | 0.094 |
| F4 | 3 | | 3.4 | 0.118 | | 0.134 |
| G | | 10.9 | | | 0.429 | |
| H | 15.3 | | 15.9 | 0.602 | | 0.626 |
| L | 19.7 | | 20.3 | 0.776 | | 0.779 |
| L3 | 14.2 | | 14.8 | 0.559 | 0.413 | 0.582 |
| L4 | | 34.6 | | | 1.362 | |
| L5 | | 5.5 | | | 0.217 | |
| M | 2 | | 3 | 0.079 | | 0.118 |
| Dia | 3.55 | | 3.65 | 0.140 | | 0.144 |



ISOWATT218 MECHANICAL DATA

| DIM. | mm | | | inch | | |
|------|-------|------|-------|-------|-------|-------|
| | MIN. | TYP. | MAX. | MIN. | TYP. | MAX. |
| A | 5.35 | | 5.65 | 0.210 | | 0.222 |
| C | 3.3 | | 3.8 | 0.130 | | 0.149 |
| D | 2.9 | | 3.1 | 0.114 | | 0.122 |
| D1 | 1.88 | | 2.08 | 0.074 | | 0.081 |
| E | 0.75 | | 1 | 0.029 | | 0.039 |
| F | 1.05 | | 1.25 | 0.041 | | 0.049 |
| G | 10.8 | | 11.2 | 0.425 | | 0.441 |
| H | 15.8 | | 16.2 | 0.622 | | 0.637 |
| L1 | 20.8 | | 21.2 | 0.818 | | 0.834 |
| L2 | 19.1 | | 19.9 | 0.752 | | 0.783 |
| L3 | 22.8 | | 23.6 | 0.897 | | 0.929 |
| L4 | 40.5 | | 42.5 | 1.594 | | 1.673 |
| L5 | 4.85 | | 5.25 | 0.190 | | 0.206 |
| L6 | 20.25 | | 20.75 | 0.797 | | 0.817 |
| M | 3.5 | | 3.7 | 0.137 | | 0.145 |
| N | 2.1 | | 2.3 | 0.082 | | 0.090 |
| U | | 4.6 | | | 0.181 | |



STW8NA60-STH8NA60FI

Information furnished is believed to be accurate and reliable. However, STMicroelectronics assumes no responsibility for the consequences of use of such information nor for any infringement of patents or other rights of third parties which may result from its use. No license is granted by implication or otherwise under any patent or patent rights of STMicroelectronics. Specification mentioned in this publication are subject to change without notice. This publication supersedes and replaces all information previously supplied. STMicroelectronics products are not authorized for use as critical components in life support devices or systems without express written approval of STMicroelectronics.

The ST logo is a trademark of STMicroelectronics

© 1998 STMicroelectronics – Printed in Italy – All Rights Reserved
STMicroelectronics GROUP OF COMPANIES

Australia - Brazil - Canada - China - France - Germany - Italy - Japan - Korea - Malaysia - Malta - Mexico - Morocco - The Netherlands -
Singapore - Spain - Sweden - Switzerland - Taiwan - Thailand - United Kingdom - U.S.A.

<http://www.st.com>