

High efficiency, single-digit numerical displays

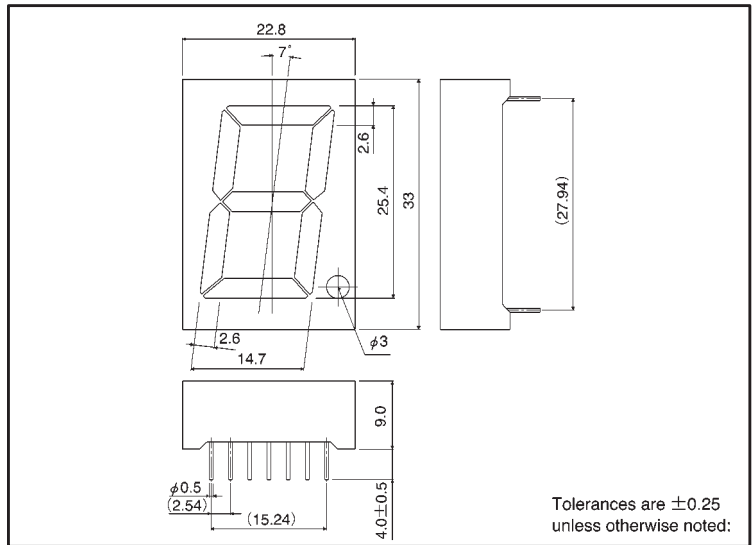
LA-101 DN Series

The LA-101 DN series are LED numerical displays designed to allow use even in bright locations. The height of the character is 25.4 mm and the color is bright red. These displays are designed for use in large numerical displays.

●Features

- 1) Height of character : 25.4 mm.
- 2) Dimensions : 22.8 × 33 × 9 mm.
- 3) A common anode configuration and a common cathode configuration are available.
- 4) The package surface is painted black and the segments are milky white.
- 5) High luminance, clear display.

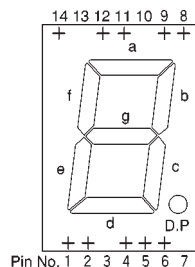
●External dimensions (Units: mm)



●Selection guide

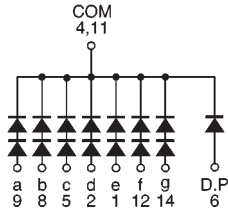
Emitting color	Red
Common	
Anode	LA-101LD
Cathode	LA-101LN

●Pin assignments



Pin No.	Function
1	Segment "e"
2	Segment "d"
4	Common
5	Segment "c"
6	D.P
8	Segment "b"
9	Segment "a"
11	Common
12	Segment "f"
14	Segment "g"

● Internal circuit schematic (example of common cathode)



● Absolute maximum ratings ($T_a = 25^\circ\text{C}$)

Parameter	Symbol	Red	Unit
		LA-101LD / LN	
Power dissipation	P_D	1125	mW
Power dissipation	P_D / seg	150(75)	mW
Forward current	I_F	30	mA
Peak forward current	I_{FP}	80*	mA
Reverse voltage	V_R	8(4)	V
Operating temperature	T_{opr}	$-25 \sim +75$	$^\circ\text{C}$
Storage temperature	T_{stg}	$-30 \sim +85$	$^\circ\text{C}$

* Pulse width 1ms duty 1 / 5
() is D.P value

● Electrical and optical characteristics ($T_a = 25^\circ\text{C}$)

Parameter	Symbol	Conditions	Red			Unit
			Min.	Typ.	Max.	
Forward voltage	V_F	$I_F=20\text{mA}$	—	1.75	2.5	V
Reverse current	I_R	$V_R=3\text{V}$	—	—	100	μA
Peak wavelength	λ_P	$I_F=20\text{mA}$	—	660	—	nm
Spectral line half width	$\Delta \lambda$	$I_F=20\text{mA}$	—	25	—	nm

© Not designed for radiation resistance.
The forward voltage and reverse current values are the guaranteed values per element.

● Luminous intensity

Color	λ_P	Type	Min.	Typ.	Max.	Unit
Red	660	LA-101LD	36	100	—	mcd
		LA-101LN				

Note: Measured at $I_F = 20 \text{ mA}$