

**PLEASE CHECK WWW.MOLEX.COM FOR LATEST PART INFORMATION**

**Part Number:** [0945297206](#)  
**Status:** **Active**  
**Description:** 5.00mm (.197") Pitch RAST, Receptacle, Gray Color, PA Polyamide (Nylon) 6/6, 6 Circuits

**Documents:**

[Drawing \(PDF\)](#) [Product Specification PS-94529-002 \(PDF\)](#)  
[Product Specification PS-94529-001 \(PDF\)](#) [RoHS Certificate of Compliance \(PDF\)](#)

**Agency Certification**

UL E29179

**General**

Product Family Crimp Housings  
 Series [94529](#)  
 Product Name Pitch 5 Edge Card

**Physical**

Breakaway No  
 Circuits (maximum) 6  
 Color - Resin Gray  
 Flammability 94V-0  
 Gender Female  
 Glow-Wire Compliant No  
 Lock to Mating Part Yes  
 Material - Resin Nylon  
 Number of Rows 1  
 Packaging Type Bag  
 Panel Mount No  
 Pitch - Mating Interface (in) 0.197 In  
 Pitch - Mating Interface (mm) 5.00 mm  
 Pitch - Term. Interface (in) 0.197 In  
 Pitch - Term. Interface (mm) 5.00 mm  
 Polarized to Mating Part Yes  
 Ports 1  
 Stackable No  
 Temperature Range - Operating -40°C to +105°C, -40°C to +85°C

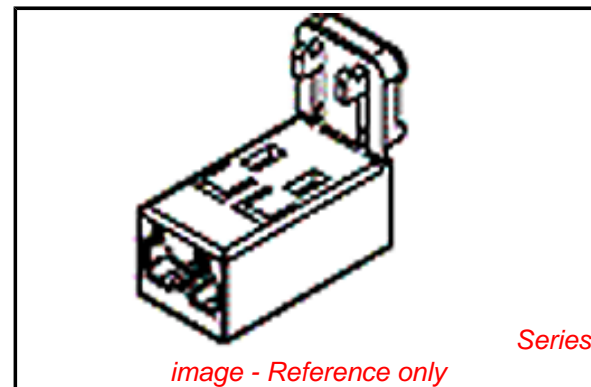
**Electrical**

Current - Maximum per Contact 6A

**Material Info**

**Reference - Drawing Numbers**

Product Specification PS-94529-001, PS-94529-002  
 Sales Drawing SD-94529-008



**EU RoHS**

**ELV and RoHS  
 Compliant  
 REACH SVHC  
 Not Reviewed  
 Halogen-Free  
 Status  
 Not Reviewed**

**China RoHS**



**Need more information on product  
 environmental compliance?**

Email [productcompliance@molex.com](mailto:productcompliance@molex.com)  
 For a multiple part number RoHS Certificate of  
 Compliance, [click here](#)

Please visit the [Contact Us](#) section for any  
 non-product compliance questions.

**Search Parts in this Series**

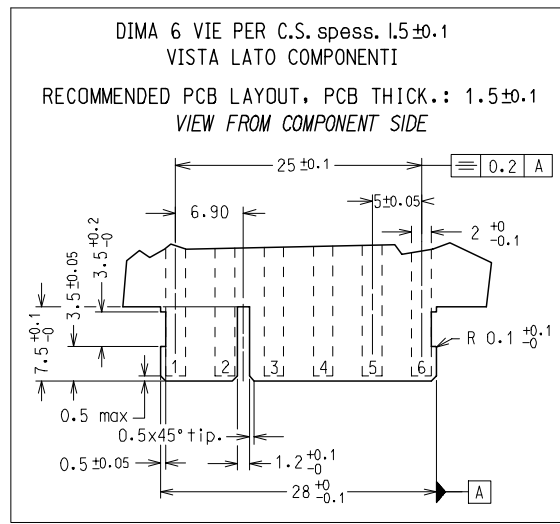
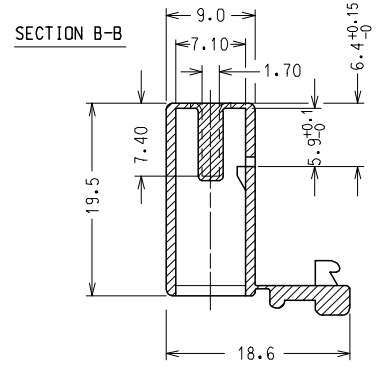
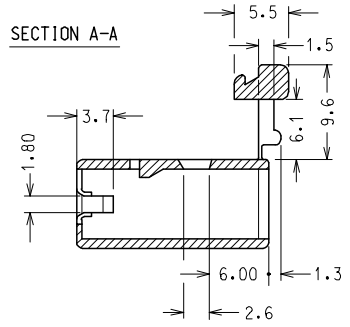
[94529Series](#)

**Mates With**

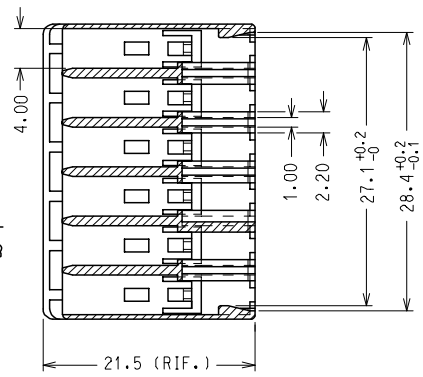
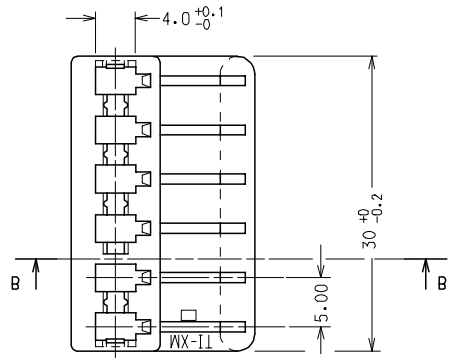
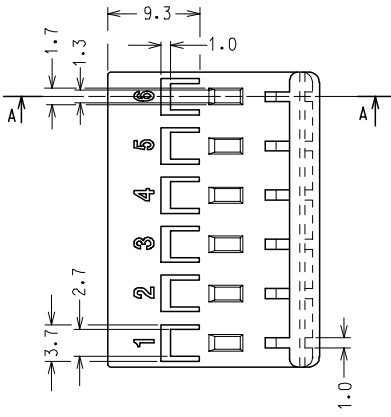
PCB thickness 1.50mm (.059")

**Use With**

[94529-1203 Terminal](#)



| CODICE P/N | MATERIAL AND COLOR   |
|------------|--|
| 94529-9106 | NYLON 66 UL94 V2 NATURAL   |
| 94529-9206 | NYLON 66 UL94 V2 BLACK   |
| 94529-7106 | NYLON 66 UL94 V0 NATURAL   |
| 94529-7206 | NYLON 66 UL94 V0 GREY  |
| 94529-4106 | NYLON 6.6 GWT 750°C sec. IEC 60335-1<br>TEST METHOD IEC 60695-2-11 NATURAL |



NOTA: LE DIMENSIONI VANNO MISURATE CON CORPI STABILIZZATI SECONDO NG 2301. (AUMENTO IN PESO DEL 2.7 %)

NOTE: PARTS SHALL BE DIMENSIONALLY CHECKED AFTER ATTAINING EQUILIBRIUM CONDITIONS E.G. 27 % INCREASE IN WEIGHT FOR HUMIDITY ABSORPTION FROM DRY STATUS.

CARATTERISTICHE PRODOTTO SECONDO PS-94529  
PRODUCT CHARACTERISTICS ACCORDING TO PS-94529 E

CONFEZIONE: 2000 pz. IN SCATOLA  
PACKAGING: 2000 pcs IN CARTON BOX

SPQ: 2000 pz. Descr. Std: HSG FOR FORK TERMINAL 6 CKT

|  |                 |  |           |   |  |                    |
|--|-----------------|--|-----------|---|--|--------------------|
| EC NO: Z2006-0051<br>DRWN: FGOTTARD2005/10/12<br>CHKD: RSANDAN2005/10/12<br>APPR: GZUIN 2005/10/14 | QUALITY SYMBOLS | GENERAL TOLERANCES (UNLESS SPECIFIED)                | SCALE 2:1 | DESIGN UNITS METRIC   | FIRST ANGLE PROJECTION                   | REVISE ON CAD ONLY |
|  | ▽ -0            | 4 PLACES ± --- ± ---                                 | mm INCH   | DIMENSION STYLE MM ONLY   | TITLE                                    |                    |
|  | ∇ -0            | 3 PLACES ± --- ± ---                                 |           | DRAWN BY DATE   | 6 CKT HOUSING FOR STRAIGHT FORK TERMINAL |                    |
|  |                 | 2 PLACES ± 0.1 ± ---                                 |           | FGOTTARD 1995/10/25   | MOLEX MOLEX INCORPORATED                 |                    |
|  |                 | 1 PLACE ± 0.2 ± ---                                  |           | CHECKED BY DATE   | MATERIAL NO.                             | DOCUMENT NO.       |
|  |                 | ANGULAR ± 2 °  |           | SSORATO 1995/10/25  | SEE TAB.                                 | SD-94529-008       |
|  |                 | DRAFT WHERE APPLICABLE MUST REMAIN WITHIN DIMENSIONS |           | APPROVED BY DATE  |  | SHEET NO. 1 OF 1   |
|  |                 |  |           | RMARTUCC 1995/10/25   |  |                    |
|  |                 |  |           | THIS DRAWING CONTAINS INFORMATION THAT IS PROPRIETARY TO MOLEX INCORPORATED AND SHOULD NOT BE USED WITHOUT WRITTEN PERMISSION |  |                    |