

JT9634-AS

CALCULATOR ALARM CHRONOGRAPH DUAL TIME FUNCTION WRIST WATCH

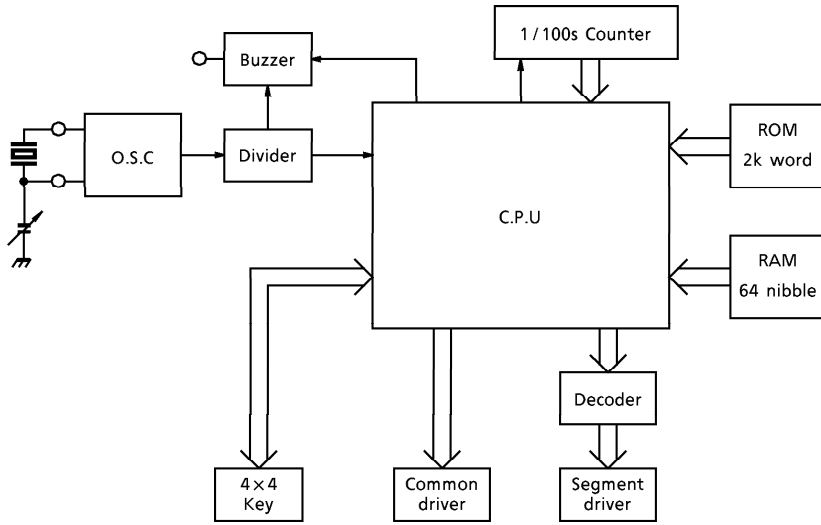
APPLICATION

- Calculator Watch

FEATURES

- Calculator function with 4 standard function by 8 digits.
- Alarm function with buzzer direct drive.
- Chime function to beep the buzzer at every hour.
- Chronograph function with lap operation.
(Stopwatch) (Max. count times : 9 : 59^M 59^S 99^{1/100S})
- Dual Time function ; Hour, Minutes, Year, Month, Day of the Month and Day of the week.
- 12 hour/24 hour cycle are selectable by wearer with switch.
- Month-Day-Year / Day-Month-Year display are selectable by the switch operation.
- Direct interface to 1/3-duty L.C.D : 8 digits, 8 points and 12 flags.
- 7 watch function : Hour, Minute, Second, Year, Month, Day of the Month and Day of the week.
- Day of the month and day of week can be calculated from year and month.
- 16 keys for calculator function with 4 or 5 keys for Watch function.
- Buzzer beep shot for announcing sure calculator operation.
- Single 1.55V power supply.
- Voltage doubler. (Two external capacitor)
- Alarm Time ; 20 seconds.
- 3~4 minutes snooze function.

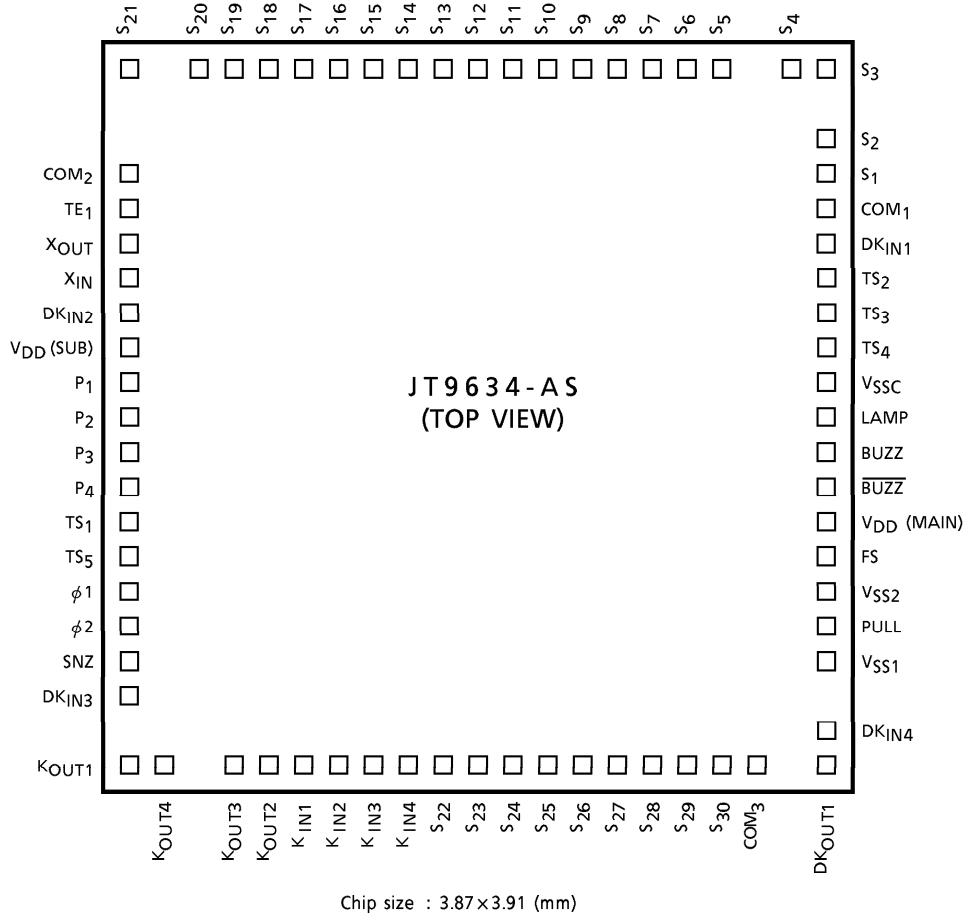
BLOCK DIAGRAM



PIN DESCRIPTION (58 pins)

PIN NAME	SYMBOL	No. OF PINS
Power Supply Pins	V _{DD} (MAIN, SUB), V _{SS1} , V _{SS2} , V _{SSC} , PULL	6
Oscillator Pins	X _{IN} , X _{OUT}	2
Input Pins	K _{IN1~4} , DK _{IN1~4} , SNZ, FS, P _{1~4} (Don't use)	14
Output Pins	K _{OUT1~4} , DK _{OUT1} , BUZZ, BUZZ̄, LAMP	8
Display Pins	S _{1~S30} , COM _{1~3}	33
Test Pins	TE ₁ , TS _{1~5} (Don't use)	6
DOUBLER / HALVER	FA ₁ , FA ₂	2

PAD LAYOUT



PAD LOCATION TABLE

(μm)

PIN NAME	X POINT	Y POINT	PIN NAME	X POINT	Y POINT
KOUT1	-1800	-1789	S ₂	1800	1421
DKIN3	-1800	-1421	S ₁	1800	1243
SNZ	-1800	-1243	COM ₁	1800	1066
ϕ 2	-1800	-1066	DKIN1	1800	888
ϕ 1	-1800	-888	TS ₂	1800	710
TS ₅	-1800	-710	TS ₃	1800	533
TS ₁	-1800	-533	TS ₄	1800	355
P ₄	-1800	-355	V _{SSC}	1800	178
P ₃	-1800	-178	LAMP	1800	0
P ₂	-1800	0	BUZZ	1800	-178
P ₁	-1800	178	$\overline{\text{BUZZ}}$	1800	-355
V _{DD} (SUB)	-1800	355	V _{DD} (MAIN)	1800	-533
DKIN2	-1800	533	FS	1800	-710
X _{IN}	-1800	710	V _{SS2}	1800	-888
X _{OUT}	-1800	888	PULL	1800	-1066
TE ₁	-1800	1066	V _{SS1}	1800	-1243
COM ₂	-1800	1291	DKIN4	1800	-1606
S ₂₁	-1800	1789	DKOUT1	1800	-1789
S ₂₀	-1432	1789	COM ₃	1432	-1789
S ₁₉	-1254	1789	S ₃₀	1254	-1789
S ₁₈	-1077	1789	S ₂₉	1077	-1789
S ₁₇	-899	1789	S ₂₈	899	-1789
S ₁₆	-721	1789	S ₂₇	722	-1789
S ₁₅	-544	1789	S ₂₆	544	-1789
S ₁₄	-366	1789	S ₂₅	366	-1789
S ₁₃	-189	1789	S ₂₄	189	-1789
S ₁₂	-11	1789	S ₂₃	11	-1789
S ₁₁	167	1789	S ₂₂	-166	-1789
S ₁₀	344	1789	K _{IN4}	-344	-1789
S ₉	522	1789	K _{IN3}	-522	-1789
S ₈	699	1789	K _{IN2}	-699	-1789
S ₇	877	1789	K _{IN1}	-877	-1789
S ₆	1055	1789	K _{OUT2}	-1054	-1789
S ₅	1232	1789	K _{OUT3}	-1232	-1789
S ₄	1617	1789	K _{OUT4}	-1617	-1789
S ₃	1800	1789			

(Note) Each coordinate shows the center of each pad.

FUNCTION SPECIFICATIONS

1. Display configuration

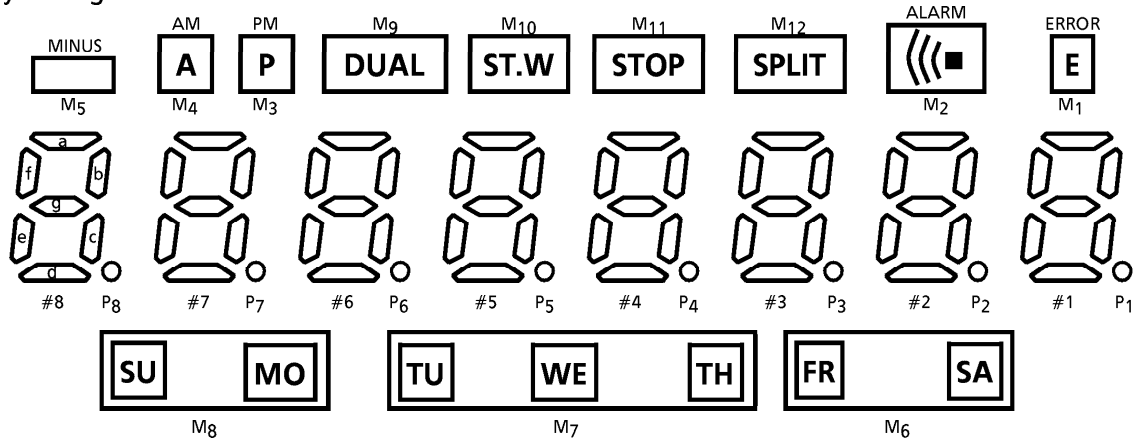


Fig.1 Recommended L.C.D., layout

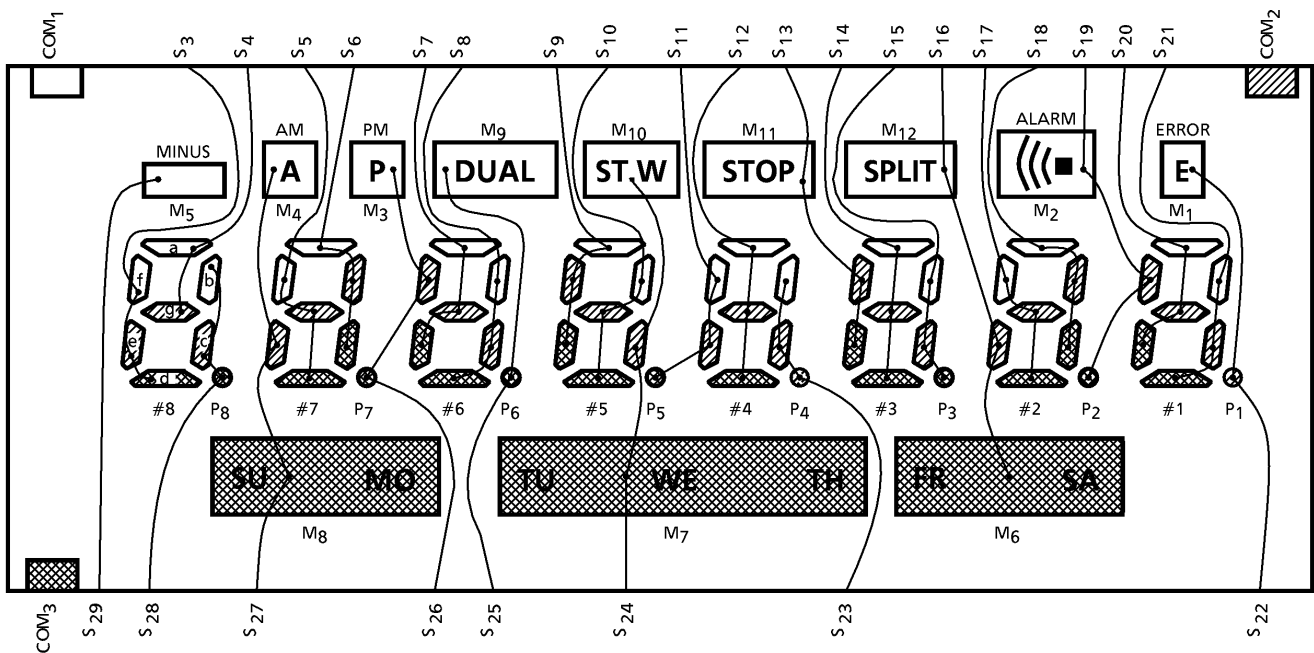


Fig.2 Recommended L.C.D., pattern (Segments, common)

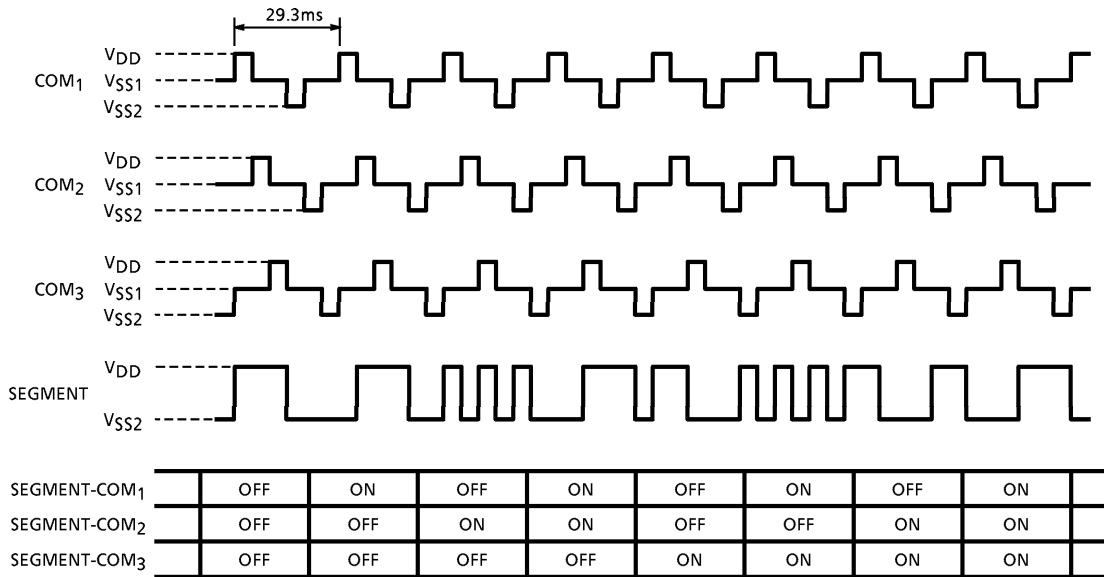
1 2 3 4 5 6 7 8 9 0 A L P H C E U

Fig.3 The font of alphanumerics

2. Assignment of L.C.D

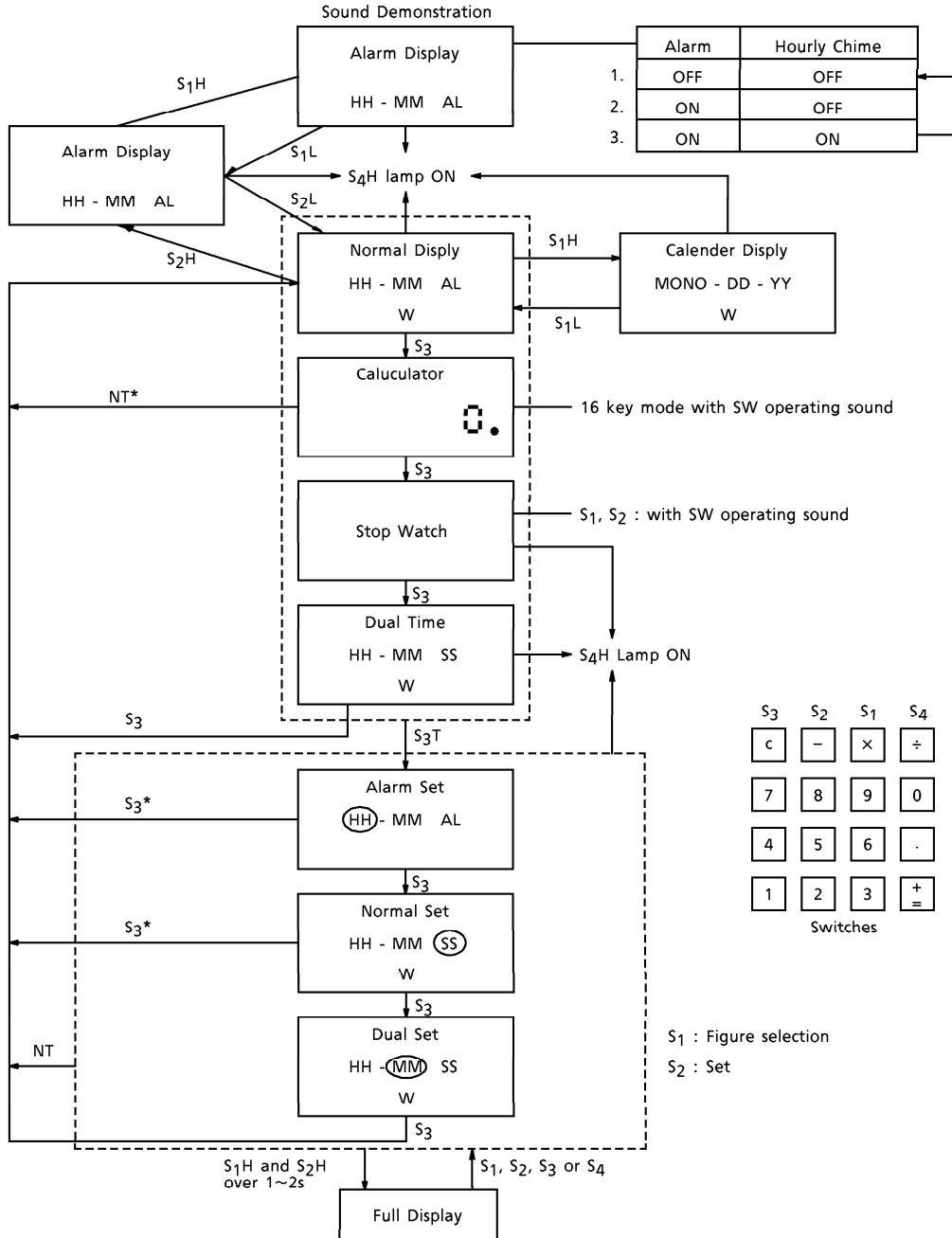
	COM ₁	COM ₂	COM ₃
S ₃	8f	8e	8d
S ₄	8a	8g	8i
S ₅	7f	7g	7d
S ₆	7a	7b	7c
S ₇	6a	6g	6e
S ₈	6b	6c	6d
S ₉	5a	5f	5e
S ₁₀	5b	5g	5d
S ₁₁	4f	4e	P ₅
S ₁₂	4a	4g	4d
S ₁₃	M ₁₁	3f	3e
S ₁₄	3a	3g	3d
S ₁₅	3b	3c	P ₃
S ₁₆	M ₁₂	2e	M ₆
S ₁₇	2f	2g	2d
S ₁₈	2a	2b	2c
S ₁₉	M ₂	1f	P ₂
S ₂₀	1a	1g	1e
S ₂₁	1b	1c	1d
S ₂₂	M ₁	P ₁	M ₁₃
S ₂₃	4b	4c	P ₄
S ₂₄	M ₁₀	5c	M ₇
S ₂₅	M ₉	COL	P ₆
S ₂₆	M ₃	6f	P ₇
S ₂₇	M ₄	7e	M ₈
S ₂₈	8b	8c	P ₈
S ₂₉	M ₅	P ₉	M ₁₄

3. Timing chart for 1/3 duty LCD driving



FUNCTION DESCRIPTION

1. Mode flow and switch operation

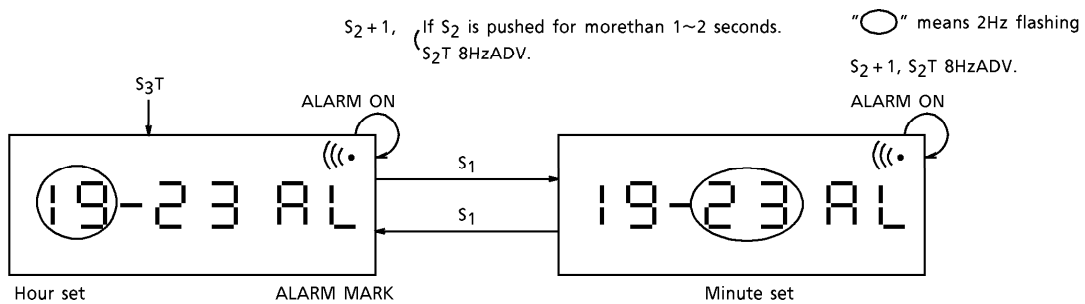


While the Stopwatch is running or in rap condition, the mark "ST. W" lights in Alarm Display, Calendar Display, Normal Display, Stopwatch or Dual Time mode. In the Stopwatch mode with ran condition, the mark "SPLIT" lights. In the Calculator mode, if any key without key is pushed, the Stopwatch is reset to 00 Min. 00S 00.

Symbol of switch operation

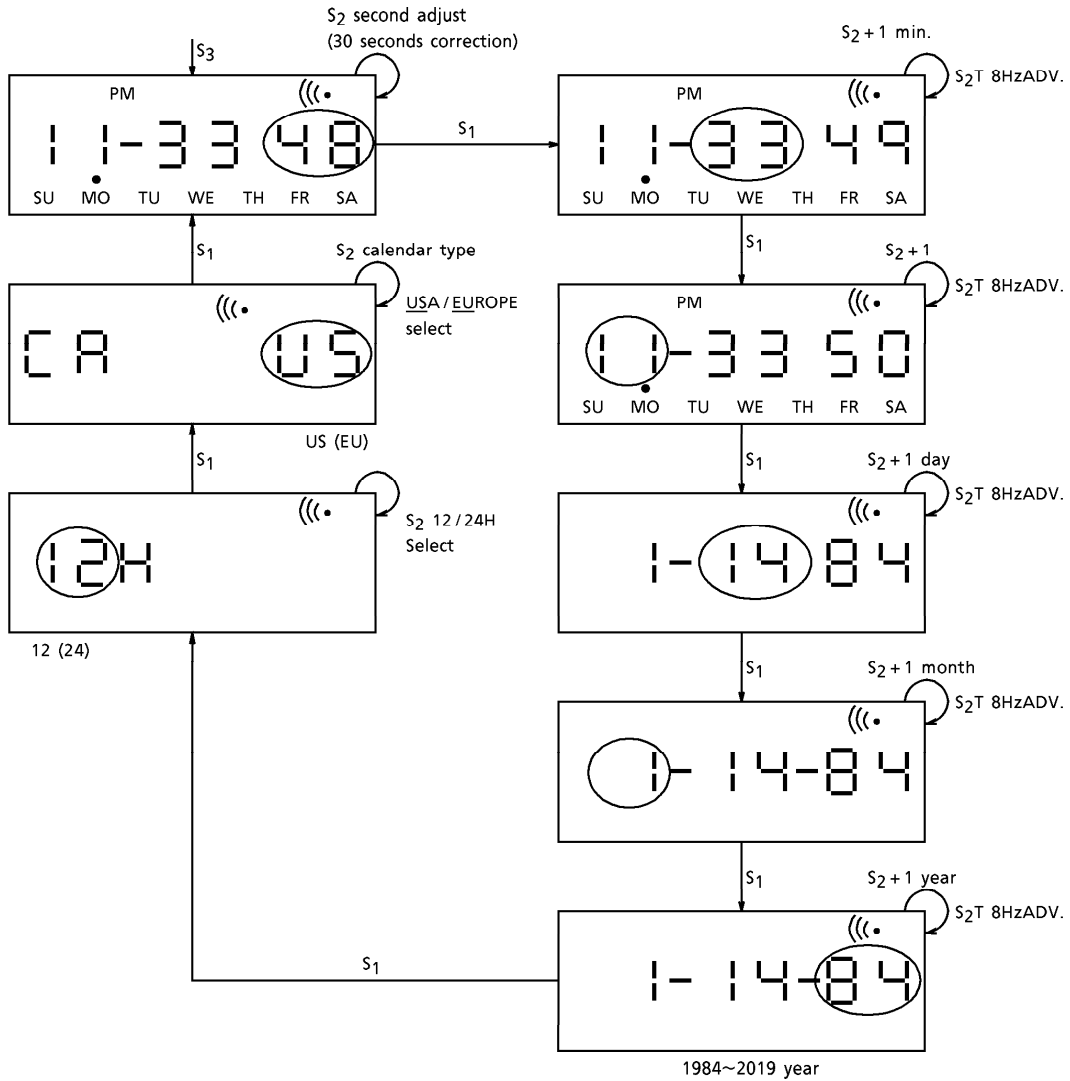
SYMBOL	SWITCH OPERATION
S ₁ , S ₂ , S ₃	Momentary depression
S ₃ *	Momentary depression after S ₁ or S ₂
S ₁ L, S ₂ L	Holding switch to V _{SS} level
S ₁ H, S ₂ H, S ₄ H	Holding switch to V _{DD} level
S ₂ T, S ₃ T	Depressing switch for more than 1 to 2 seconds
NT	None of switches are depressed for 1 to 2 minutes. (Auto Return)
NT*	None of switches are depressed for 10 to 20 minutes. (Auto Return)

2. Alarm set



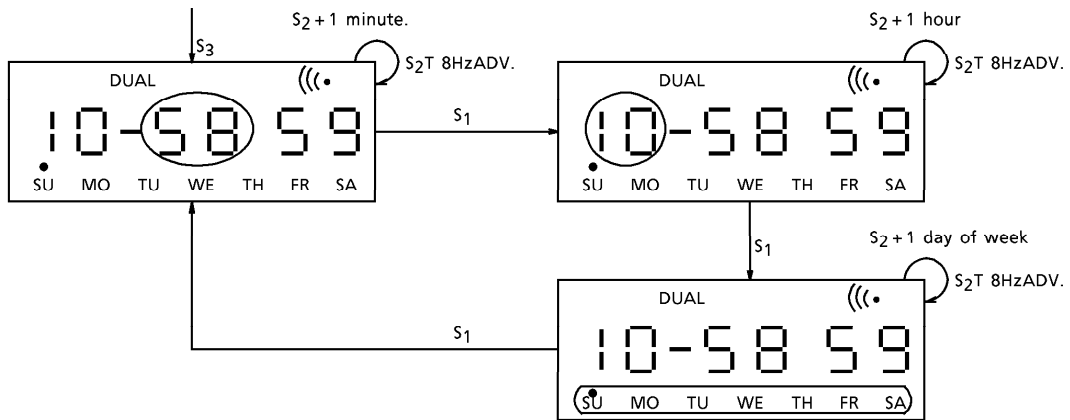
If Alarm time is set by S₂, the mark "(((•" appears.
If Alarm time is set by 8Hz-advance, the figure being set is not flashing.

3. Normal set



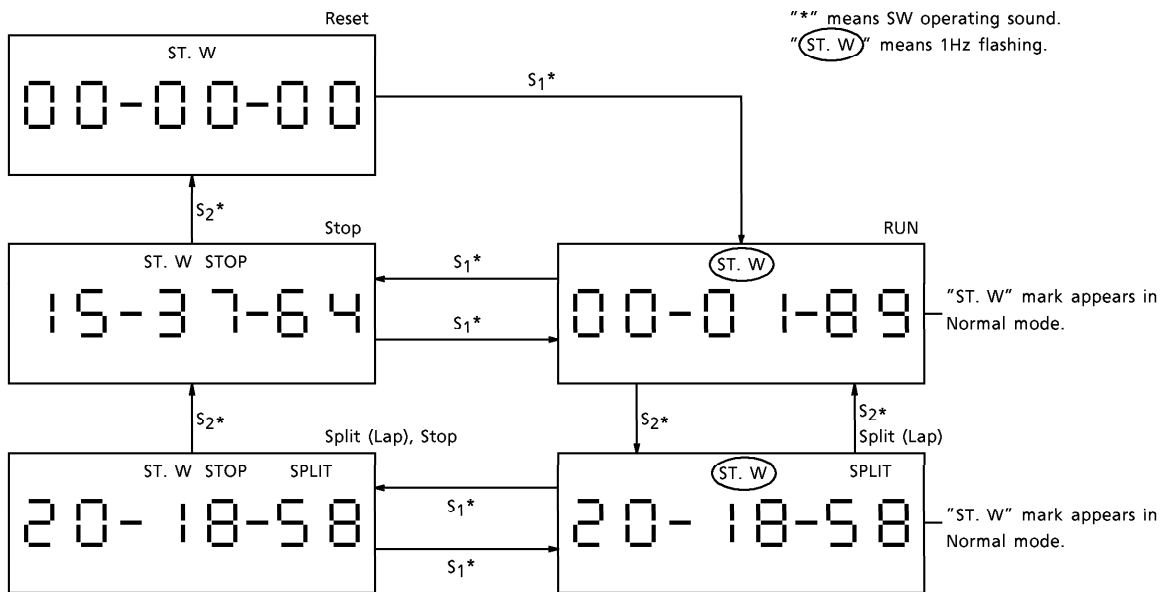
The week of Day is set automatically, by setting Day, Month or Year.

4. Dual time set



The second of Dual Time is the same as the Second of Normal Time.

5. Stopwatch

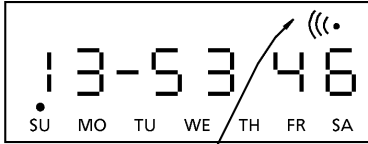


Stopwatch counting is as follows

	minute	second	1/10, 1/100 second
Reset	00	00	00
Start	00	00	01
		↓	
	59	59	99
		↓	
	hour	minute	second
	1	00	00
		↓	
	9	59	59

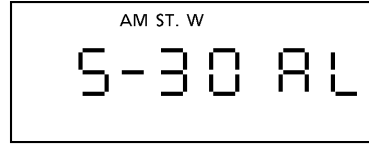
6. Display format in each mode

- ① Normal Display (24H)
ex. PM. 1 : 53 46", Sunday



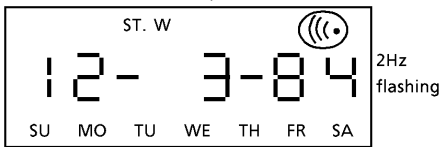
Alarm ON, Hourly Chime OFF

- ② Alarm Display (12H)
ex. AM 5 : 30



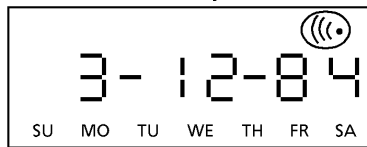
Alarm OFF, Hourly Chime OFF
Stopwatch : run or split

- ③ Calendar Display (U.S.A. type)
ex. 1984, Dec. 3, Monday



Alarm ON, Hourly Chime ON
Stopwatch : run or split

- ④ Calendar Display (Europe type)
ex. 1984, Dec. 3, Monday



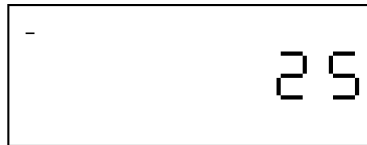
Alarm ON, Hourly Chime ON
Stopwatch : run or split

- ⑤ Calculator (1)
ex. 12345678



Alarm ON, Hourly Chime OFF

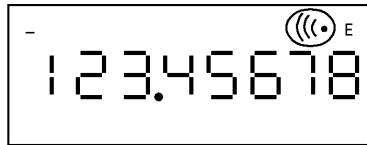
- ⑥ Calculator (2)
ex. -25



- ⑦ Calculator (3)
Error

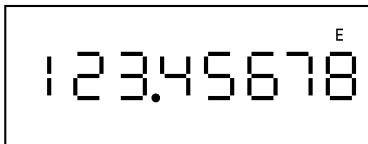


- ⑧ Calculator (4)
Error

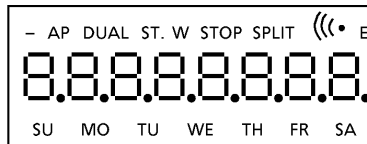


Alarm ON, Hourly Chime ON

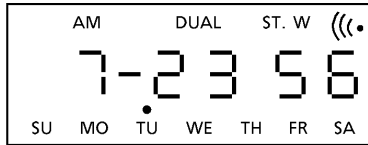
- ⑨ Calculator (5)
Error



- ⑩ Full Display

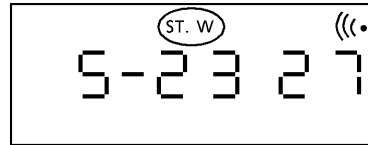


⑪ Dual Time Display (12H)
ex. AM 7 : 23 56", Tuesday



Alarm ON, Hourly Chime ON
Stopwatch : run or split

⑫ Stopwatch Display
ex. 5 hours 23 minutes 27 seconds



Alarm ON, Hourly Chime ON
Stopwatch : run

"AL" is displayed at the 1st and 2nd digits in the Alarm Display mode or Alarm Set mode.

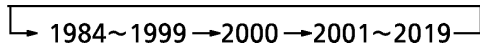
7. Calendar display function

(1) While S₁ is depressed in the Normal Display mode, it becomes Calendar Display mode.

By releasing S₁ in the Calendar Display mode, the Normal Display mode can be selected again.

(2) The Calendar Display has U.S.A. type and Europe type. The displays are in order to Month-Day - Year by U.S.A. type, and Day-Month-Year by Europe type.

(3) The sequence of the year count is as follows.

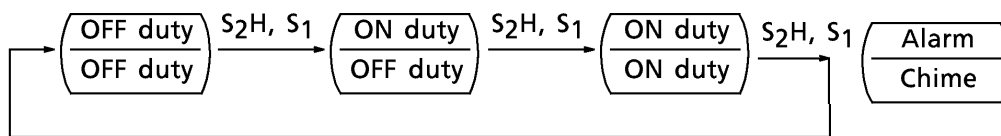


Display : 84~99 -> 00 -> 01~19

8. Alarm function and chime function

(1) The selection of alarm and chime function

By every momentary depression of the switch S₁ with depressing the switch S₂ in the Alarm Display mode, one of three states shown below is selected sequentially.



(2) Display of the alarm function and chime function

In every mode the state of the selection of the Alarm function and the Chime function is displayed by the mark "(((•)".

- ① Alarm OFF, Hourly Chime OFF — "(((•" OFF
- ② Alarm ON, Hourly Chime OFF — "(((•" ON
- ③ Alarm ON, Hourly Chime ON — "(((•" 2Hz flashing

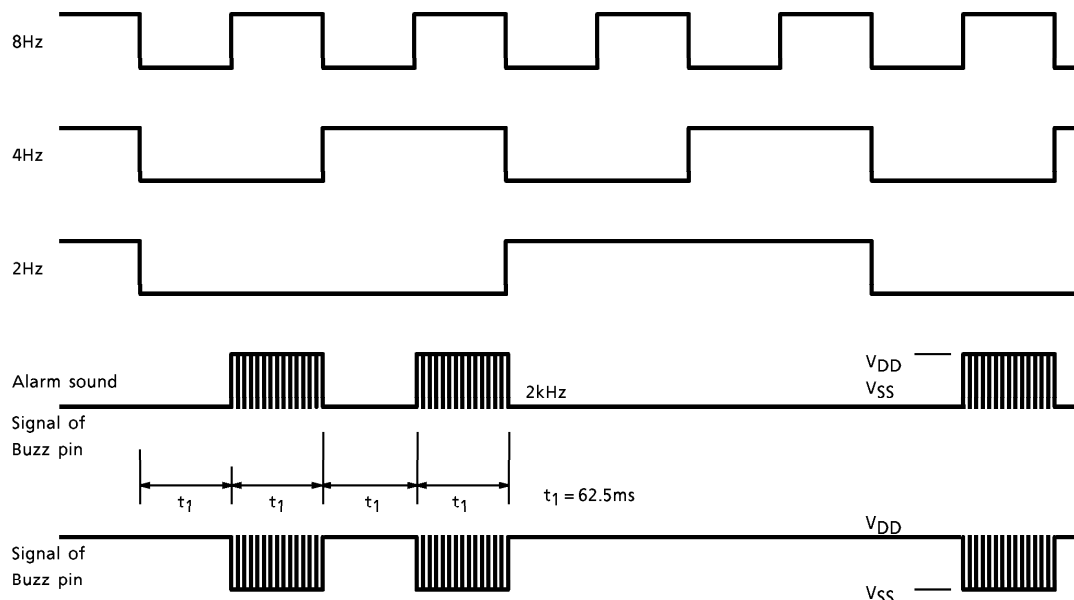
- (3) If the alarm time is adjusted by S_2 , the alarm function is ON. If the sound condition is Alarm-OFF / Hourly Chime-OFF, before the alarm time is adjusted, the condition becomes Alarm-ON / Hourly Chime-OFF by adjusting.
If the condition before adjusting is Alarm-ON / Hourly Chime-OFF or Alarm-ON / Hourly Chime-ON, the sound condition of Alarm and Hourly Chime is not changed.

(4) Alarm sound demonstration

The Alarm Demo Sound is activated by depressing the switch S_1 during the S_2 depressed in the Alarm Display mode.

(5) Alarm function

On condition that the Alarm function is on duty and the Normal time coincides with the Alarm Time, the Alarm sound signal is activated for 20 seconds in any mode. The timing chart of the Alarm sound signal is as follows.

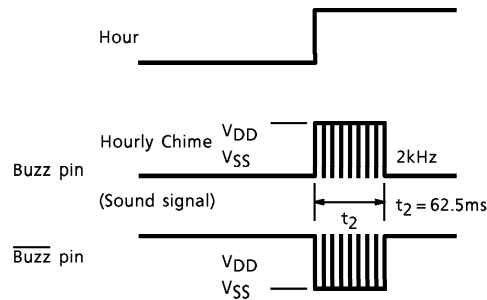


(6) How to stop the alarm beeping

While the Alarm is beeping in the mode without calculator, the Alarm stops by pushing $A_1 \sim S_4$. In calculator mode the Alarm stops by pushing any key in 16 keys. Then the sound condition as Alarm / Hourly Chime is not changed. When the Alarm is stopped by switches, the function of switches are only to stop the Alarm without stopwatch mode. Then the function of adjusting and changing mode is invalid. In the stopwatch mode, the function of switches is to stop Alarm sound and to control the stopwatch at the same time. The explanation of the Snooze function is shown the item of Snooze function.

(7) Hourly chime function

On condition that the chime function is on duty the chime sound signal is activated every hour in any mode. The timing chart of the chime sound signal is as follows.



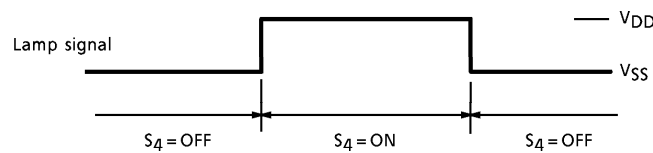
9 Switch operating sound

Switch operating sound is activated by the key operation in the calculator mode and in the stopwatch mode. It is the same signal as the chime sound signal.

When the mode changes from the calculator mode or from the stopwatch mode to the other mode, this sound is not activated.

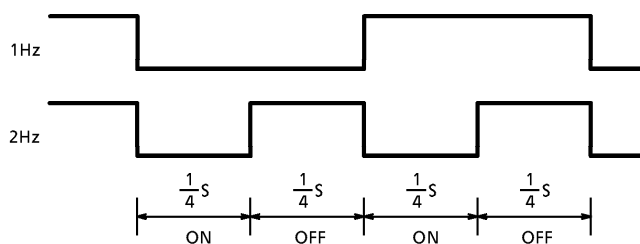
10. Lamp control

The output level of the pin LAMP becomes V_{DD} V (0V) by depressing the switch S_4 (\div) except in the calculator mode. This output level is 0V while S_4 is depressed and returns to V_{SS} V (Low Level) by the release of S_4 . The output level of the pin LAMP is as follows.



11. Notes on the watch function

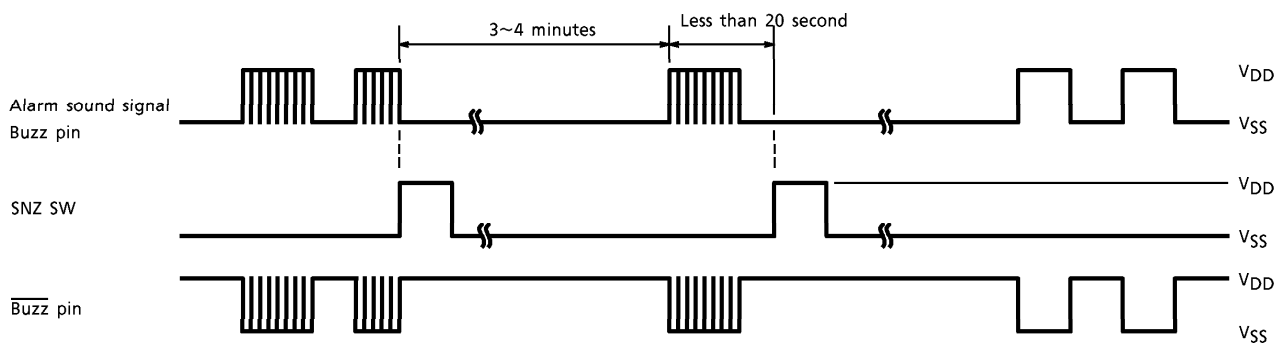
- (1) The Day of the month is calculated automatically by the year including a leap year and the month.
- (2) The nonexistent date is able to be set in the Normal Set mode. If the nonexistent date is set in the Normal Set mode, the day of the month is reset to the 1st of the next month by returning to the Normal Display mode.
- (3) The timing of the 2Hz flashing is as follows.



- (4) When the mode is Alarm Set, Normal Set or Dual Set, pushing both S₁ and S₂, over 1 to 2 seconds, makes the Full Display mode be selected. In the Full Display mode, by depressing S₁, S₂, S₃ or S₄, the mode returns to Alarm Set, Normal Set or Dual Set before.

12. Snooze function

If the SNZ switch is pushed while the Alarm sounds the sound of the alarm stops and the sound, as the alarm, sounds 3~4 minutes after over again. It's the Snooze function. The Snooze function while the Alarm sounding is activated over and over again.



If the Snooze function is not needed, SNZ SW is not needed.

13. ALL Clear function

When all of switch inputs S₁, S₂, S₃ and S₄ are ON at the same time in the Normal Display mode, displays become Normal time = AM 12 : 00 00, 1984 January 1st Sunday, Alarm time = AM 12 : 00, 12 / 24H = 12H cycle, Calendar type = U.S.A. type and Alarm / Hourly chime = OFF / OFF.

SPECIFICATION OF CALCULATOR

1. Operational features

- (1) Eight digits of data
- (2) Algebraic mode
- (3) Full floating point
- (4) Standard four functions +, -, ×, ÷
- (5) Constant calculation ×, ÷ (Automatic constant)
- (6) Chain calculation
- (7) Leading zero suppression
- (8) The key operation with the beep sound to confirm the sure operation.

2. Capacity of calculation

- (1) Numeral entry
8 digits. The numeral entry over 8 digits not executed.
- (2) When the result is positive and the integer part of it does not exceed 8 digits it is displayed as the result of the normal operation. (See the description on the error condition.)
- (3) When the result is negative and the integer part of it does not exceed 8 digits, the minus symbol " - " and it are displayed as the result of the normal operation. (See the description on the error condition.)

(Note 1)

KEY OPERATION	DISPLAY
1	1.
2	1 2.
3	1 2 3.
4	1 2 3 4.
5	1 2 3 4 5.
6	1 2 3 4 5 6.
7	1 2 3 4 5 6 7.
8	1 2 3 4 5 6 7 8.
9	1 2 3 4 5 6 7 8.

(Note 2)
8267 × 3594

2	9	7	1	1	5	9	8
---	---	---	---	---	---	---	---

(Note 3)
61438976 - 49276312

1	2	1	6	2	6	6	4
---	---	---	---	---	---	---	---

3. Error condition

- (1) When the division by zero is attempted the error symbol "E" and a zero are displayed.
- (2) When the result is positive and the integer part of it exceeds 8 digits the error symbol "E" and the upper 8 digits of the value obtained by the division of it by 10^8 are displayed.
- (3) When the result is negative and integer part of it exceeds 8 digits the error symbol "E", the minus symbol "-" and the upper 8 digits of the value obtained by the division of it by 10^8 are displayed.

(Note 1) $\boxed{5} \div \boxed{0} = \boxed{0} \overset{E}{}$

(Note 2) $\boxed{9\ 8\ 7\ 6\ 5\ 4\ 3\ 2} \times \boxed{2} = \boxed{1\ 9\ 7\ 5\ 3\ 0\ 8\ 6} \overset{E}{}$
(197530864)

$\boxed{4\ 0\ 0\ 0\ 0\ 0\ 0\ 0} \times \boxed{3\ 0\ 0\ 0\ 0\ 0\ 0\ 0} = \boxed{1\ 2\ 0\ 0\ 0\ 0\ 0\ 0} \overset{E}{}$
(1.2×10^{15})

(Note 3) $\overset{-}{\boxed{1\ 2\ 3\ 4\ 5\ 6\ 7\ 8}} \times \boxed{9\ 9} = \overset{-}{\boxed{1\ 2\ 2\ 2\ 2\ 2\ 2\ 1}} \overset{E}{}$
(1.222222122×10^9)

$\overset{-}{\boxed{4\ 0\ 0\ 0\ 0\ 0\ 0\ 0}} \times \boxed{3\ 0\ 0\ 0\ 0\ 0\ 0\ 0} = \overset{-}{\boxed{1\ 2\ 0\ 0\ 0\ 0\ 0\ 0}} \overset{E}{}$

(4) Clearing the error condition

While the error occurs the numeral entry and the operation are inhibited. The error condition can be cleared by depressing \boxed{C} twice. In this case by the first depression the mark "E" is disappeared. By the second depression "0" is displayed as follows.

(Note 1) $\overset{E}{\boxed{1\ 2\ 0\ 0\ 0\ 0\ 0\ 0}} \xrightarrow{\boxed{C}} \boxed{1\ 2\ 0\ 0\ 0\ 0\ 0\ 0} \xrightarrow{\boxed{C}} \boxed{0}$
1 2

4. keys for calculator

① Data keys

The data keys consist of the numeral keys $\boxed{0}$ through $\boxed{9}$.

② point key

- (i) $\boxed{\cdot}$ is a decimal point key.
- (ii) When the key $\boxed{\cdot}$ pushed in the midst of the numeral entry, the display is not changed. The point and figures are taken up one place by the next numeral entry.
- (iii) If the key $\boxed{\cdot}$ is pushed after the arithmetic operation key is pushed, the display becomes "0". It means the data "0" is memorized. Then the point and figures are taken up one place at the same time by the next numeral entry.
- (iv) The first pushing about $\boxed{\cdot}$ key proceeds.

③ Arithmetic operation keys

They consist of $\boxed{-}$, $\boxed{\times}$, $\boxed{\div}$ and $\boxed{+}$.

$\boxed{-}$, $\boxed{\times}$, $\boxed{\div}$

- (i) By depressing one of these keys after the numeral entry the operation instruction memorized just before is executed and the new operation instruction by these keys is memorized.
- (ii) By depressing one of these keys after the depression of $\boxed{-}$, $\boxed{\times}$, $\boxed{\div}$ or $\boxed{+}$ the operation instruction is not executed and the new operation instruction by these keys.
- (iii) By depressing one of these keys in the constant calculation mode this mode is canceled and the operation instruction by these keys is memorized.

$\boxed{+}$

- (i) By depressing this key after the first numeral entry the addition instruction is memorized.
- (ii) By depressing this key after the second numeral entry the operation instruction memorized just before is executed. In case that the operation instruction executed is the addition or the subtraction instruction, the addition instruction is memorized. In case that the operation instruction executed is the multiplication or the division instruction, the constant calculation mode is selected.

Command function key



- (i) By depressing this key without any other key after the calculator mode is selected, the Stopwatch mode is selected. Then the alarm set mode is selected after this key is pushed for over 1~2 seconds.
- (ii) If the calculator is not error condition, by depressing this key after depressing $\frac{+}{=}$, $-$, \times , \div , all registers for the calculator are cleared. (All clear)
- (iii) By depressing this key after the data keys the calculator returns to the state that is one state previous to the state where these data keys are depressed. In this case "0" is displayed. (Clear Enter).
- (iv) By depressing $\frac{+}{=}$, $-$, \times or \div just after All Clear or Clear Enter state, the state turns to the same state as $\frac{+}{=}$, $-$, \times or \div is depressed after 0. So "0" is displayed and the operation instruction correspond to $\frac{+}{=}$, $-$, \times or \div is memorized.
- (v) By depressing $\frac{+}{=}$ in the All Clear state the Normal Display mode is selected. Then the Alarm Set mode is selected after this key is pushed for over 1~2 seconds.

④ Constant calculation

- (i) When multiplication or division is executed, the mode becomes constant calculation.
- (ii) The first numerical value is constant value about Division.
The second numerical value is constant value about multiplication.
- (iii) When $-$, \times , \div or $\frac{+}{=}$ keys are pushed, the display is not changed and the constant calculation is released.

(Note 1) Clear Enter

KEY OPERATION	DISPLAY	KEY OPERATION	DISPLAY	KEY OPERATION	DISPLAY	KEY OPERATION	DISPLAY
a	a	a	a	a	a	a	a
\times	a	\div	a	$\frac{+}{=}$	a	$-$	a
b	b	b	b	b	b	b	b
$\frac{+}{=}$	0	$\frac{+}{=}$	0	$\frac{+}{=}$	0	$\frac{+}{=}$	0
d	d	d	d	d	d	d	d
$\frac{+}{=}$	a x d	$\frac{+}{=}$	a ÷ d	$\frac{+}{=}$	a + d	$\frac{+}{=}$	a - d

(Note 2) Clear

KEY OPERATION	DISPLAY	KEY OPERATION	DISPLAY	KEY OPERATION	DISPLAY	KEY OPERATION	DISPLAY
$\boxed{\times}$ ($\boxed{\div}$, $\boxed{+}$, $\boxed{-}$)	a	$\boxed{\times}$ ($\boxed{\div}$, $\boxed{+}$, $\boxed{-}$)	a	$\boxed{\times}$ ($\boxed{\div}$, $\boxed{+}$, $\boxed{-}$)	a	$\boxed{\times}$ ($\boxed{\div}$, $\boxed{+}$, $\boxed{-}$)	a
	a		a		a		a
b	b	b	b	b	b	b	b
\boxed{C}	0	\boxed{C}	0	\boxed{C}	0	\boxed{C}	0
$\boxed{\times}$	0	$\boxed{\div}$	0	$\boxed{+}$	0	$\boxed{-}$	0
d	d	d	d	d	d	d	d
$\boxed{+}$	$a \times 0 \times d$	$\boxed{+}$	$a \times 0 \div d$	$\boxed{+}$	$a \times 0 + d$	$\boxed{+}$	$a \times 0 - d$
	$\left(\begin{array}{l} a \div 0 \times d \\ \text{(Error 0),} \\ (a + 0) \times d, \\ (a - 0) \times d \end{array} \right)$		$\left(\begin{array}{l} a \div 0 \div d \\ \text{(Error 0),} \\ (a + 0) \div d, \\ (a - 0) \div d \end{array} \right)$		$\left(\begin{array}{l} a \div 0 + d \\ \text{(Error 0),} \\ a + 0 + d, \\ a - 0 + d \end{array} \right)$		$\left(\begin{array}{l} a \div 0 - d \\ \text{(Error 0),} \\ a + 0 - d, \\ a - 0 - d \end{array} \right)$

Arithmetic Operation

(Note 3)

(1) Entry

	KEY OPERATION	DISPLAY
(1)	1	1.
	2	1 2.
	3	1 2 3.
	4	1 2 3 4.
	5	1 2 3 4 5.
	6	1 2 3 4 5 6.
	7	1 2 3 4 5 6 7.
	8	1 2 3 4 5 6 7 8.

	KEY OPERATION	DISPLAY
(2)	1	1.
	2	1 2.
	.	1 2.
	3	1 2. 3
	4	1 2. 3 4

(2) Four fundamental arithmetic calculation

	KEY OPERATION	DISPLAY
(1)	a	a
	$\boxed{+}$	a
	b	b
	$\boxed{+}$	a + b
(2)	a	a
	$\boxed{-}$	a
	b	b
	$\boxed{+}$	a - b

	KEY OPERATION	DISPLAY
(3)	a	a
	$\boxed{\times}$	a
	b	b
	$\boxed{\times}$	a · b
(4)	a	a
	$\boxed{\div}$	a
	b	b
	$\boxed{\div}$	a / b

(3) Constant calculation (K = constant value)

	KEY OPERATION	DISPLAY
(1)	K	K
	$\boxed{\times}$	K
	b	b
	$\boxed{+}$	K·b
	C	C
	$\boxed{+}$	K·C

	KEY OPERATION	DISPLAY
(2)	a	a
	$\boxed{\div}$	a
	K	K
	$\boxed{+}$	a / K
	C	C
	$\boxed{+}$	C / K

(4) Power calculation

	KEY OPERATION	DISPLAY
(1)	a	a
	$\boxed{\times}$	a
	$\boxed{+}$	a ²
	$\boxed{\times}$	a ²
	$\boxed{+}$	a ⁴

	KEY OPERATION	DISPLAY
(2)	a	a
	$\boxed{\div}$	a
	$\boxed{+}$	a ⁻¹

(5) Mixed calculation

	KEY OPERATION	DISPLAY
(1)	a	a
	$\boxed{+}$	a
	b	a + b
	$\boxed{\times}$	a + b
	c	c
	$\boxed{\div}$	(a + b)·c
	c	d
	$\boxed{-}$	(a + b)·c / d
	d	e
	$\boxed{+}$	(a + b)·c / d - e
(2)	a	a
	$\boxed{\times}$	a
	b	b
	$\boxed{+}$	a·b
	$\boxed{+}$	a·b
	C	c
	$\boxed{+}$	a·b + c

	KEY OPERATION	DISPLAY
(3)	a	a
	$\boxed{\div}$	a
	b	b
	$\boxed{+}$	a / b
	$\boxed{+}$	a / b
	c	c
	$\boxed{+}$	a / b + c

11. All clear function

When power is applied or when the supply of power is interrupted (e.g. if the battery is changed), the internal state of the IC may become unstable, even though it appears to be operating normally. For this reason it is vital to verify that the crystal oscillation circuit is oscillating normally and stably (at 32 kHz) and then to use the system reset pin to initialize the IC (i.e. clear it) before use.

Note that a clear operation using the built-in power-on clear circuit should not be used in this case.

MAXIMUM RATINGS

PARAMETER	SYMBOL	RATING	UNIT
Supply Voltage (1)	$V_{SS1}-V_{DD}$	-3.0~0.2	V
Supply Voltage (2)	$V_{SS2}-V_{DD}$	-4.0~0.2	V
Operating Temperature	T_{opr}	-10~60	°C
Storage Temperature	T_{stg}	-40~125	°C

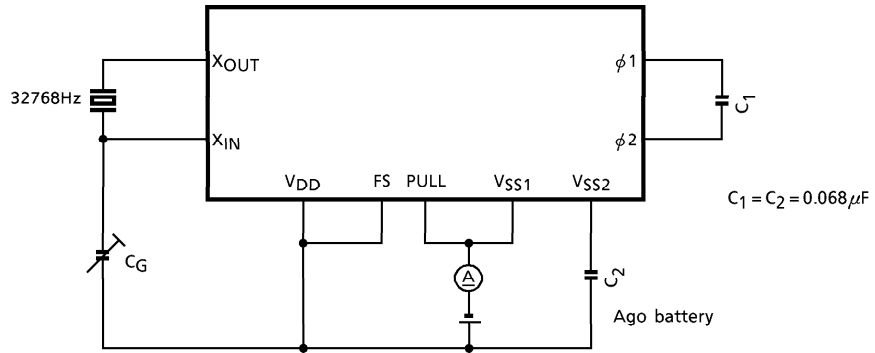
ELECTRICAL CHARACTERISTICS

($V_{DD} = 0V$, $V_{SS1} = -1.55V$, $V_{SS2} = -3.00V$, $T_a = 25^\circ C$, unless otherwise noticed)

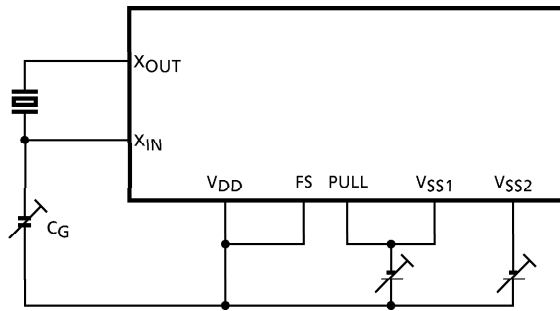
PARAMETER	SYMBOL	TEST CIR-CUIT	TEST CONDITION	MIN.	TYP.	MAX.	UNIT	
Operating Voltage (1)	$ V_{SS1} $	1	$C_G = 15pF$	1.25	1.55	1.80	V	
Operating Voltage (2)	$ V_{SS2} $	2	$C_G = 15pF$	2.30	3.00	3.60	V	
Current Consumption	$ I_{SUP1} $	1	$C_G = 15pF$	—	—	3.00	μA	
OSC Starting Voltage	$ V_{STA} $	1	$C_G = 20pF$	—	—	1.45	V	
Output Voltage of Up Converter	$ V_{UCO} $	1	$C_1 = C_2 = 0.068pF$	2.95	—	—	V	
Output Current (1) (Segment COM) V_{SS1}	I_{OH1}	3	$V_{OH1} = -0.30V$	—	—	-140	μA	
	I_{OL1}		$V_{OL1} = -2.70V$	140	—	—		
Output Current (2) (Segment COM) V_{SS2}	I_{OH2}	3	$V_{OH2} = -1.75V$	—	—	-70	μA	
	I_{OL2}		$V_{OL2} = -1.35V$	70	—	—		
Output Current (3) (Segment)	I_{OH3}	3	$V_{OH3} = -0.30V$	—	—	-6.0	μA	
	I_{OL3}		$V_{OL3} = -2.70V$	6.0	—	—		
Output Current (4) (BUZZ, \overline{BUZZ} , Lamp)	I_{OH4}	3	$V_{OH4} = -0.5V$	—	—	-300	μA	
	I_{OL4}		—	—	—	—		
Output Current (5) (DKOUT1, KOUT1~4)	I_{OH5}	3	PULL = V_{SS1}	$V_{OH5} = -0.2V$	—	—	-30	μA
	I_{OL5}			—	—	—	—	
Input Current (1) (DKIN1~4, KIN1~4, SNZ)	I_{IH1}	3	PULL = V_{SS1}	$V_{IH1} = 0.00V$	0.3	—	4.4	μA
	I_{IL1}			$V_{IL1} = -1.55V$	-0.1	—	—	
Input Current (2) (Test Input)	I_{IH2}	3	PULL = V_{SS1}	$V_{IH2} = 0.00V$	8	—	120	μA
	I_{IL2}			$V_{IL2} = -1.55V$	-0.1	—	—	

TEST CIRCUIT

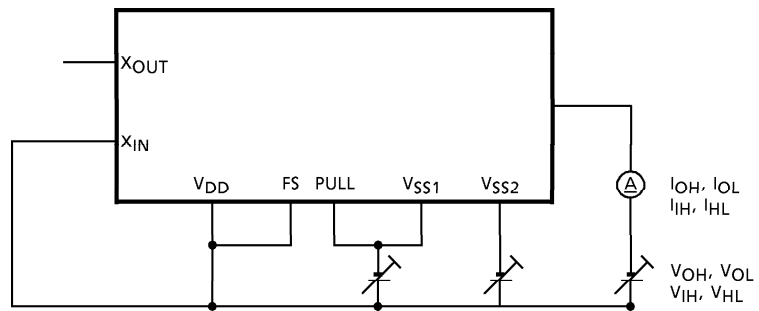
1.



2.

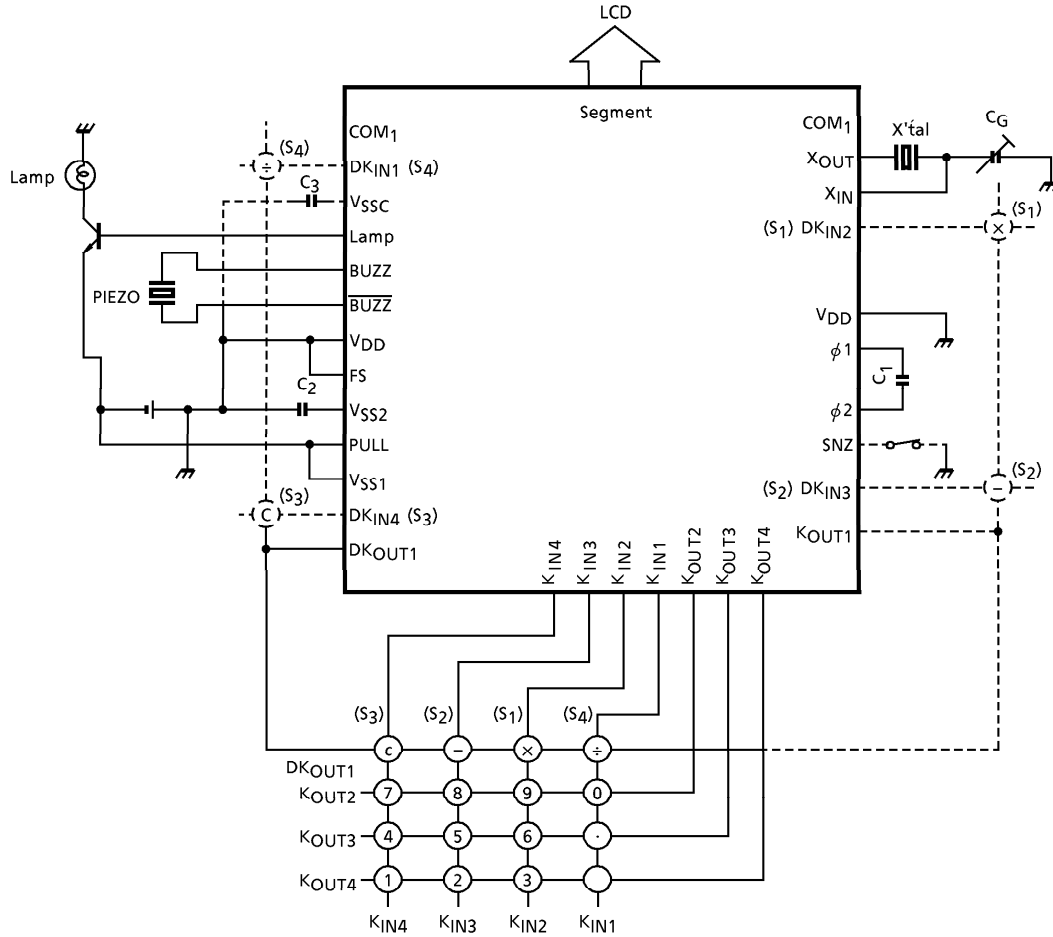


3.



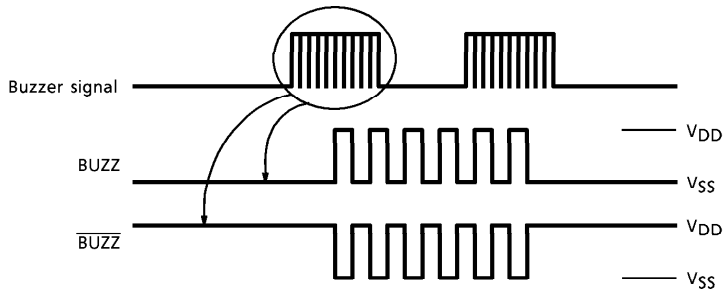
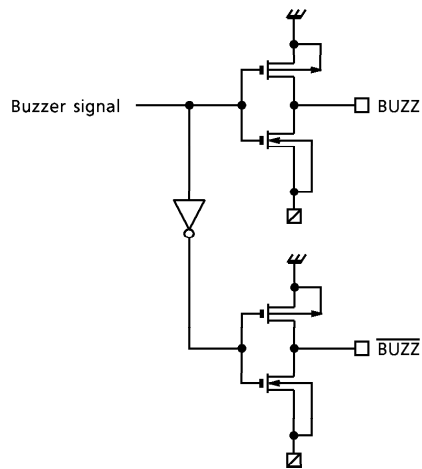
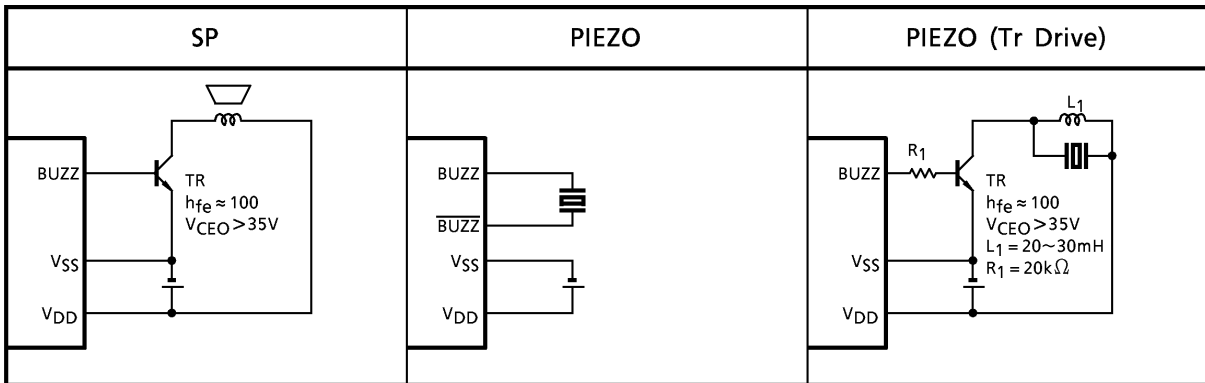
APPLICATION CIRCUIT

The case of ago battery (1.55V) type



- (Note 1) C₁~C₃ = 0.068μF
- (Note 2) C_G = 5~30pF
- (Note 3) The pad VSSC had better to be connected the capacitor C₃ with VDD for preventing the voltage VSS1 from the voltage noise.
- (Note 5) Switch S₁~S₄ (⊗, ⊖, ⊙, ⊕) are to be connected K_{IN1}~4 or DK_{IN1}~4 with DK_{OUT1} or K_{OUT1} like APPLICATION CIRCUIT.
- (Note 6) When SNOOZE function is needed, SNZ switch had better to be connected with VDD.

2. Buzzer drive application



RESTRICTIONS ON PRODUCT USE

000707EBA

- TOSHIBA is continually working to improve the quality and reliability of its products. Nevertheless, semiconductor devices in general can malfunction or fail due to their inherent electrical sensitivity and vulnerability to physical stress. It is the responsibility of the buyer, when utilizing TOSHIBA products, to comply with the standards of safety in making a safe design for the entire system, and to avoid situations in which a malfunction or failure of such TOSHIBA products could cause loss of human life, bodily injury or damage to property. In developing your designs, please ensure that TOSHIBA products are used within specified operating ranges as set forth in the most recent TOSHIBA products specifications. Also, please keep in mind the precautions and conditions set forth in the "Handling Guide for Semiconductor Devices," or "TOSHIBA Semiconductor Reliability Handbook" etc..
- The TOSHIBA products listed in this document are intended for usage in general electronics applications (computer, personal equipment, office equipment, measuring equipment, industrial robotics, domestic appliances, etc.). These TOSHIBA products are neither intended nor warranted for usage in equipment that requires extraordinarily high quality and/or reliability or a malfunction or failure of which may cause loss of human life or bodily injury ("Unintended Usage"). Unintended Usage include atomic energy control instruments, airplane or spaceship instruments, transportation instruments, traffic signal instruments, combustion control instruments, medical instruments, all types of safety devices, etc.. Unintended Usage of TOSHIBA products listed in this document shall be made at the customer's own risk.
- The products described in this document are subject to the foreign exchange and foreign trade laws.
- The information contained herein is presented only as a guide for the applications of our products. No responsibility is assumed by TOSHIBA CORPORATION for any infringements of intellectual property or other rights of the third parties which may result from its use. No license is granted by implication or otherwise under any intellectual property or other rights of TOSHIBA CORPORATION or others.
- The information contained herein is subject to change without notice.