



32K × 8 ELECTRICALLY ERASABLE EPROM

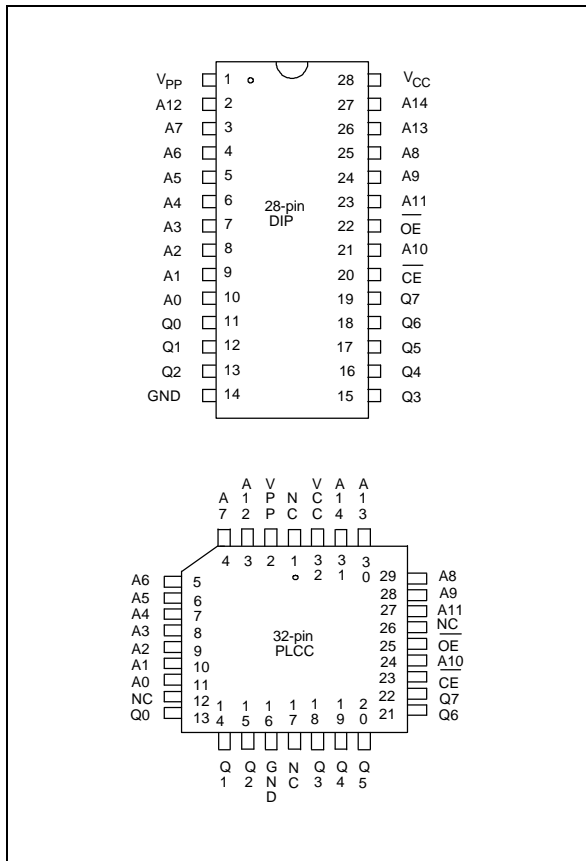
GENERAL DESCRIPTION

The W27E257 is a high-speed, low-power Electrically Erasable and Programmable Read Only Memory organized as 32768 × 8 bits that operates on a single 5 volt power supply. The W27E257 provides an electrical chip erase function. This part was the same EPROM Writer's utilities as the W27E256.

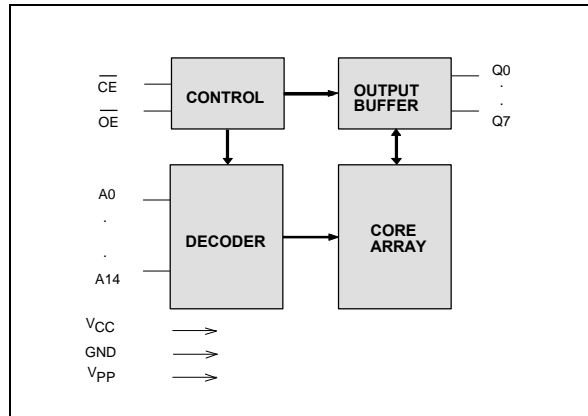
FEATURES

- High speed access time: 100/120/150 nS (max.)
- Read operating current: 15 mA (typ.)
- Erase/Programming operating current 1 mA (typ.)
- Standby current: 5 μA (typ.)
- Single 5V power supply
- +14V erase/+12V programming voltage
- Fully static operation
- All inputs and outputs directly TTL/CMOS compatible
- Three-state outputs
- Available packages: 28-pin 600 mil DIP and 32-pin PLCC

PIN CONFIGURATIONS



BLOCK DIAGRAM



PIN DESCRIPTION

| SYMBOL | DESCRIPTION |
|-----------------|------------------------------|
| A0–A14 | Address Inputs |
| Q0–Q7 | Data Inputs/Outputs |
| \overline{CE} | Chip Enable |
| \overline{OE} | Output Enable |
| VPP | Program/Erase Supply Voltage |
| VCC | Power Supply |
| GND | Ground |
| NC | No Connection |



FUNCTIONAL DESCRIPTION

Read Mode

Like conventional UVEPROMs, the W27E257 has two control functions, both of which produce data at the outputs.

\overline{CE} is for power control and chip select. \overline{OE} controls the output buffer to gate data to the output pins. When addresses are stable, the address access time (T_{ACC}) is equal to the delay from \overline{CE} to output (T_{CE}), and data are available at the outputs TOE after the falling edge of \overline{OE} , if T_{ACC} and T_{CE} timings are met.

Erase Mode

The erase operation is the only way to change data from "0" to "1." Unlike conventional UVEPROMs, which use ultraviolet light to erase the contents of the entire chip (a procedure that requires up to half an hour), the W27E257 uses electrical erasure. Generally, the chip can be erased within 100 mS by using an EPROM writer with a special erase algorithm.

Erase mode is entered when V_{PP} is raised to V_{PE} (14V), $V_{CC} = V_{CE}$ (5V), $\overline{OE} = V_{IH}$ (2V or above but lower than V_{CC}), $A_9 = V_{HH}$ (14V), $A_0 = V_{IL}$ (0.8V or below but higher than GND), and all other address pins equal V_{IL} and data input pins equal V_{IH} . Pulsing \overline{CE} low starts the erase operation.

Erase Verify Mode

After an erase operation, all of the bytes in the chip must be verified to check whether they have been successfully erased to "1" or not. The erase verify mode automatically ensures a substantial erase margin. This mode will be entered after the erase operation if $V_{PP} = V_{PE}$ (14V), $\overline{CE} = V_{IH}$, and $\overline{OE} = V_{IL}$.

Program Mode

Programming is performed exactly as it is in conventional UVEPROMs, and programming is the only way to change cell data from "1" to "0." The program mode is entered when V_{PP} is raised to V_{PP} (12V), $V_{CC} = V_{CP}$ (5V), $\overline{OE} = V_{IH}$, the address pins equal the desired address, and the input pins equal the desired inputs. Pulsing \overline{CE} low starts the programming operation.

Program Verify Mode

All of the bytes in the chip must be verified to check whether or not they have been successfully programmed with the desired data. Hence, after each byte is programmed, a program verify operation should be performed. The program verify mode automatically ensures a substantial program margin. This mode will be entered after the program operation if $V_{PP} = V_{PP}$ (12V), $\overline{CE} = V_{IH}$, and $\overline{OE} = V_{IL}$.

Erase/Program Inhibit

Erase or program inhibit mode allows parallel erasing or programming of multiple chips with different data. When $\overline{CE} = V_{IH}$, erasing or programming of non-target chips is inhibited, so that except for the \overline{CE} and \overline{OE} pins, the W27E257 may have common inputs.



Standby Mode

The standby mode significantly reduces VCC current. This mode is entered when $\overline{CE} = V_{IH}$. In standby mode, all outputs are in a high impedance state, independent of \overline{OE} .

Two-line Output Control

Since EPROMs are often used in large memory arrays, the W27E257 provides two control inputs for multiple memory connections. Two-line control provides for lowest possible memory power dissipation and ensures that data bus contention will not occur.

System Considerations

EPROM power switching characteristics require careful device decoupling. System designers are interested in three supply current issues: standby current levels (ISB), active current levels (ICC), and transient current peaks produced by the falling and rising edges of \overline{CE} . Transient current magnitudes depend on the device output's capacitive and inductive loading. Two-line control and proper decoupling capacitor selection will suppress transient voltage peaks. Each device should have a 0.1 μ F ceramic capacitor connected between its VCC and GND. This high frequency, low inherent-inductance capacitor should be placed as close as possible to the device. Additionally, for every eight devices, a 4.7 μ F electrolytic capacitor should be placed at the array's power supply connection between VCC and GND. The bulk capacitor will overcome voltage slumps caused by PC board trace inductances.

TABLE OF OPERATING MODES

(VPP = 12V, VPE = 14V, VHH = 12V, VCP = 5V, X = VIH or VIL)

| MODE | PINS | | | | | | |
|---------------------------------|-----------------|-----------------|-----|-----|-----|-----|----------|
| | \overline{CE} | \overline{OE} | A0 | A9 | VCC | VPP | OUTPUTS |
| Read | VIL | VIL | X | X | VCC | VCC | DOUT |
| Output Disable | VIL | VIH | X | X | VCC | VCC | High Z |
| Standby (TTL) | VIH | X | X | X | VCC | VCC | High Z |
| Standby (CMOS) | VCC \pm 0.3V | X | X | X | VCC | VCC | High Z |
| Program | VIL | VIH | X | X | VCP | VPP | DIN |
| Program Verify | VIH | VIL | X | X | VCP | VPP | DOUT |
| Program Inhibit | VIH | VIH | X | X | VCP | VPP | High Z |
| Erase | VIL | VIH | VIL | VPE | VCC | VPE | DIH |
| Erase Verify | VIH | VIL | X | X | VCC | VPE | DOUT |
| Erase Inhibit | VIH | VIH | X | X | VCP | VPP | High Z |
| Product Identifier-manufacturer | VIL | VIL | VIL | VHH | VCC | VCC | DA (Hex) |
| Product Identifier-device | VIL | VIL | VIH | VHH | VCC | VCC | 02 (Hex) |



DC CHARACTERISTICS

Absolute Maximum Ratings

| PARAMETER | RATING | UNIT |
|---|------------------------------|------|
| Ambient Temperature with Power Applied | -55 to +125 | °C |
| Storage Temperature | -65 to +125 | °C |
| Voltage on all pins with Respect to Ground Except V _{PP} , A9 and V _{CC} pins | -0.5 to V _{CC} +0.5 | V |
| Voltage on V _{PP} Pin with Respect to Ground | -0.5 to +14.5 | V |
| Voltage on A9 Pin with Respect to Ground | -0.5 to +14.5 | V |
| Voltage on V _{CC} Pin with Respect to Ground | -0.5 to +7 | V |

Note: Exposure to conditions beyond those listed under Absolute Maximum Ratings may adversely affect the life and reliability of the device.

DC Erase Characteristics

(T_A = 25° C ±5° C, V_{CC} = 5.0V ±10%)

| PARAMETER | SYM. | CONDITIONS | LIMITS | | | UNIT |
|--|-----------------|--|--------|------|-------|------|
| | | | MIN. | TYP. | MAX. | |
| Input Load Current | I _{LI} | V _{IN} = V _{IL} or V _{IH} | -10 | - | 10 | μA |
| V _{CC} Erase Current | I _{CP} | \overline{CE} = V _{IL} | - | - | 30 | mA |
| V _{PP} Erase Current | I _{PP} | \overline{CE} = V _{IL} | - | - | 30 | mA |
| Input Low Voltage | V _{IL} | - | -0.3 | - | 0.8 | V |
| Input High Voltage | V _{IH} | - | 2.4 | - | 5.5 | V |
| Output Low Voltage (Verify) | V _{OL} | I _{OL} = 2.1 mA | - | - | 0.45 | V |
| Output High Voltage (Verify) | V _{OH} | I _{OH} = -0.4 mA | 2.4 | - | - | - |
| A9 Erase Voltage | V _{ID} | - | 13.75 | 14 | 14.25 | V |
| V _{PP} Erase Voltage | V _{PE} | - | 13.75 | 14 | 14.25 | V |
| V _{CC} Supply Voltage (Erase) | V _{CE} | - | 4.5 | 5.0 | 5.5 | V |

Note: V_{CC} must be applied simultaneously or before V_{PP} and removed simultaneously or after V_{PP}.

CAPACITANCE

(V_{CC} = 5V, T_A = 25° C, f = 1 MHz)

| PARAMETER | SYMBOL | CONDITIONS | MAX. | UNIT |
|--------------------|------------------|-----------------------|------|------|
| Input Capacitance | C _{IN} | V _{IN} = 0V | 6 | pF |
| Output Capacitance | C _{OUT} | V _{OUT} = 0V | 12 | pF |

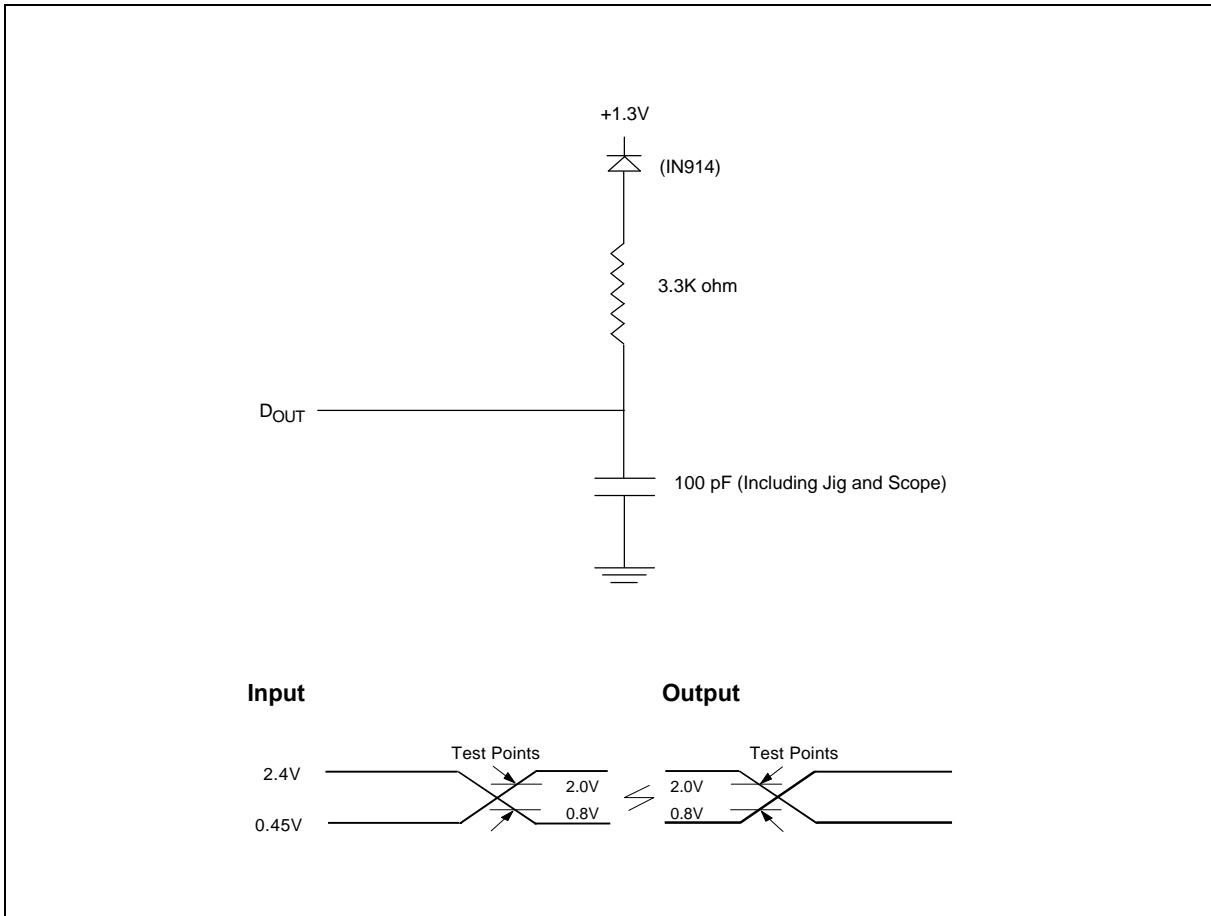


AC CHARACTERISTICS

AC Test Conditions

| PARAMETER | CONDITIONS |
|---|---------------------------------------|
| Input Pulse Levels | 0.45V to 2.4V |
| Input Rise and Fall Times | 10 nS |
| Input and Output Timing Reference Level | 0.8V/2.0V |
| Output Load | CL = 100 pF, IOH/IOL = -0.4 mA/2.1 mA |

AC Test Load and Waveform





READ OPERATION DC CHARACTERISTICS

(V_{CC} = 5.0V ±10%, T_A = 0 to 70° C)

(W27E257-10, S-10, K-10, P-10: V_{CC}, min. = 3.0V and max. = 5.5V)

| PARAMETER | SYM. | CONDITIONS | LIMITS | | | UNIT |
|-----------------------------------|------------------|--|-----------------------|------|-----------------------|------|
| | | | MIN. | TYP. | MAX. | |
| Input Load Current | I _{LI} | V _{IN} = 0V to V _{CC} | -5 | - | 5 | μA |
| Output Leakage Current | I _{LO} | V _{OUT} = 0V to V _{CC} | -10 | - | 10 | μA |
| V _{CC} Standby Current | I _{SB} | $\overline{CE} = V_{IH}$ | - | - | 1.0 | mA |
| | I _{SB1} | $\overline{CE} = V_{CC} \pm 0.2V$ | - | 5 | 100 | μA |
| V _{CC} Operating Current | I _{CC} | $\overline{CE} = V_{IL}$ I _{OUT} = 0 mA f = 5 MHz | - | - | 30 | mA |
| V _{PP} Operating Current | I _{PP} | V _{PP} = V _{CC} | - | - | 100 | μA |
| Input Low Voltage | V _{IL} | - | -0.3 | - | 0.8 | V |
| Input High Voltage | V _{IH} | - | 2.0 | - | V _{CC} + 0.5 | V |
| Output Low Voltage | V _{OL} | I _{OL} = 2.1 mA | - | - | 0.45 | V |
| Output High Voltage | V _{OH} | I _{OH} = -0.4 mA | 2.4 | - | - | V |
| V _{PP} Operating Voltage | V _{PP} | - | V _{CC} - 0.7 | - | V _{CC} | V |

READ OPERATION AC CHARACTERISTICS

(V_{CC} = 5.0V ±10%, T_A = 0 to 70° C)

| PARAMETER | SYM. | W27E257-10 | | W27E257-12 | | W27E257-15 | | UNIT |
|---------------------------------------|------|------------|------|------------|------|------------|------|------|
| | | MIN. | MAX. | MIN. | MAX. | MIN. | MAX. | |
| Read Cycle Time | TRC | 100 | - | 120 | - | 150 | - | nS |
| Chip Enable Access Time | TCE | - | 100 | - | 120 | - | 150 | nS |
| Address Access Time | TACC | - | 100 | - | 120 | - | 150 | nS |
| Output Enable Access Time | TOE | - | 50 | - | 60 | - | 70 | nS |
| \overline{OE} High to High-Z Output | TDF | - | 30 | - | 30 | - | 50 | nS |
| Output Hold from Address Change | TOH | 0 | - | 0 | - | 0 | - | nS |

Note: V_{CC} must be applied simultaneously or before V_{PP} and removed simultaneously or after V_{PP}.



DC PROGRAMMING CHARACTERISTICS

(V_{CC} = 5.0V ±10%, T_A = 25° C ±5° C)

| PARAMETER | SYM. | CONDITIONS | LIMITS | | | UNIT |
|--|-----------------|--|--------|------|-------|------|
| | | | MIN. | TYP. | MAX. | |
| Input Load Current | I _{LI} | V _{IN} = V _{IL} or V _{IH} | -10 | - | 10 | μA |
| V _{CC} Program Current | I _{CP} | $\overline{CE} = V_{IL}$ | - | - | 30 | mA |
| V _{PP} Program Current | I _{PP} | $\overline{CE} = V_{IL}$ | - | - | 30 | mA |
| Input Low Voltage | V _{IL} | - | -0.3 | - | 0.8 | V |
| Input High Voltage | V _{IH} | - | 2.4 | - | 5.5 | V |
| Output Low Voltage (Verify) | V _{OL} | I _{OL} = 2.1 mA | - | - | 0.45 | V |
| Output High Voltage (Verify) | V _{OH} | I _{OH} = -0.4 mA | 2.4 | - | - | V |
| A9 Silicon I.D. Voltage | V _{ID} | - | 11.5 | 12.0 | 12.5 | V |
| V _{PP} Program Voltage | V _{PP} | - | 11.75 | 12.0 | 12.25 | V |
| V _{CC} Supply Voltage (Program) | V _{CP} | - | 4.5 | 5.0 | 5.5 | V |

AC PROGRAMMING/ERASE CHARACTERISTICS

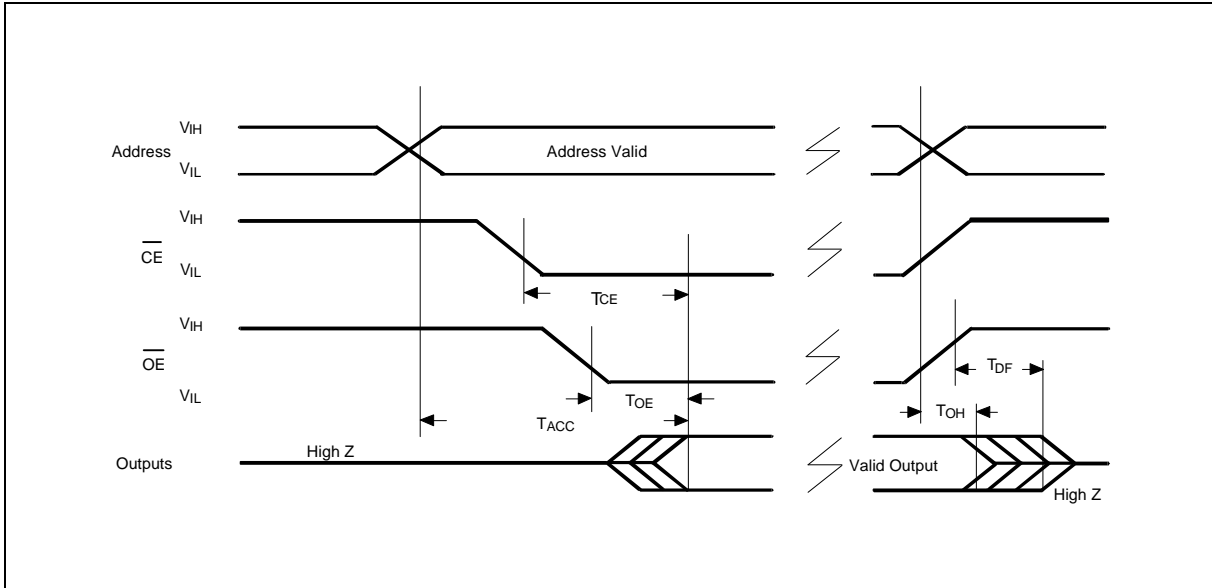
(V_{CC} = 5.0V ±10%, T_A = 25° C ±5° C)

| PARAMETER | SYM. | LIMITS | | | UNIT |
|--|------------------|--------|------|------|------|
| | | MIN. | TYP. | MAX. | |
| V _{PP} Setup Time | T _{VPS} | 2.0 | - | - | μS |
| Address Setup Time | T _{AS} | 2.0 | - | - | μS |
| Data Setup Time | T _{DS} | 2.0 | - | - | μS |
| \overline{CE} Program Pulse Width | T _{PWP} | 95 | 100 | 105 | μS |
| \overline{CE} Erase Pulse Width | T _{PWE} | 95 | 100 | 105 | mS |
| Data Hold Time | T _{DH} | 2.0 | - | - | μS |
| \overline{OE} Setup Time | T _{OES} | 2.0 | - | - | μS |
| Data Valid from \overline{OE} | T _{OEV} | - | - | 150 | nS |
| \overline{OE} High to Output High Z | T _{DFP} | 0 | - | 130 | nS |
| Address Hold Time | T _{AH} | 0 | - | - | μS |
| Address Hold Time after \overline{CE} High (Erase) | T _{AHC} | 2.0 | - | - | μS |

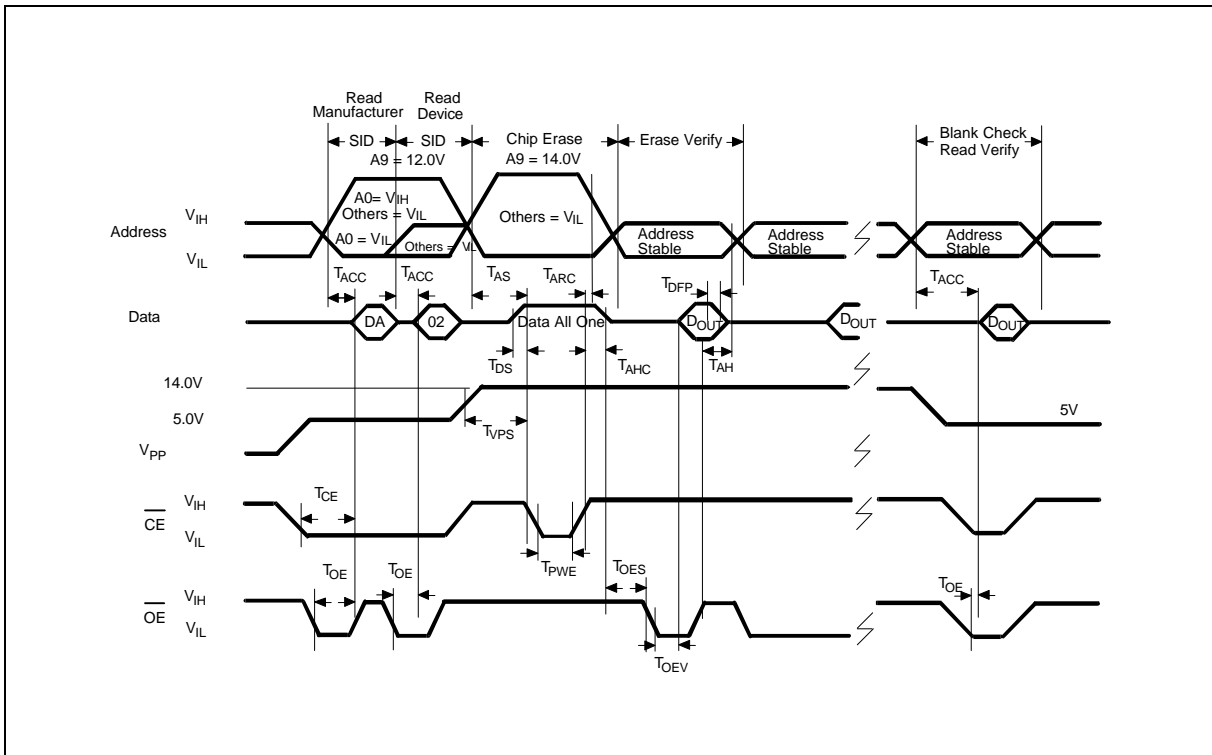
Note: V_{CC} must be applied simultaneously or before V_{PP} and removed simultaneously or after V_{PP}.

TIMING WAVEFORMS

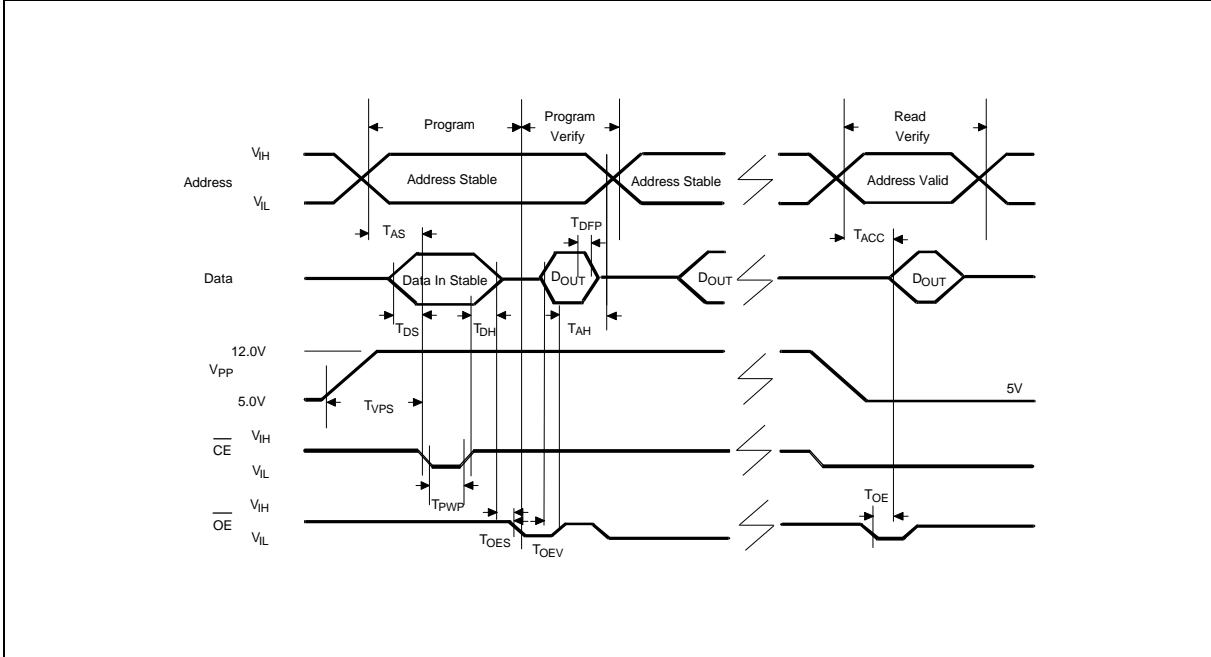
AC Read Waveform



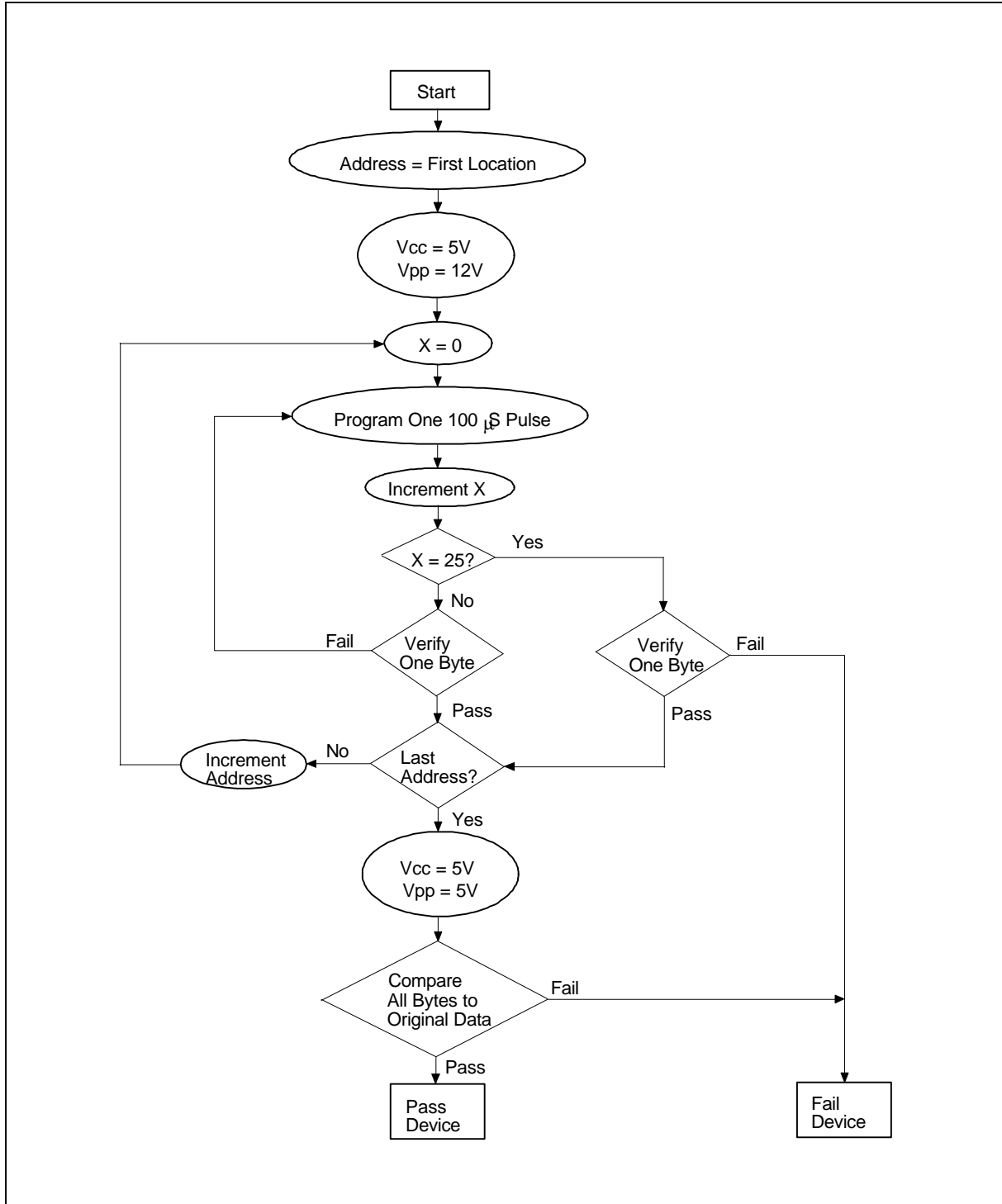
Erase Waveform



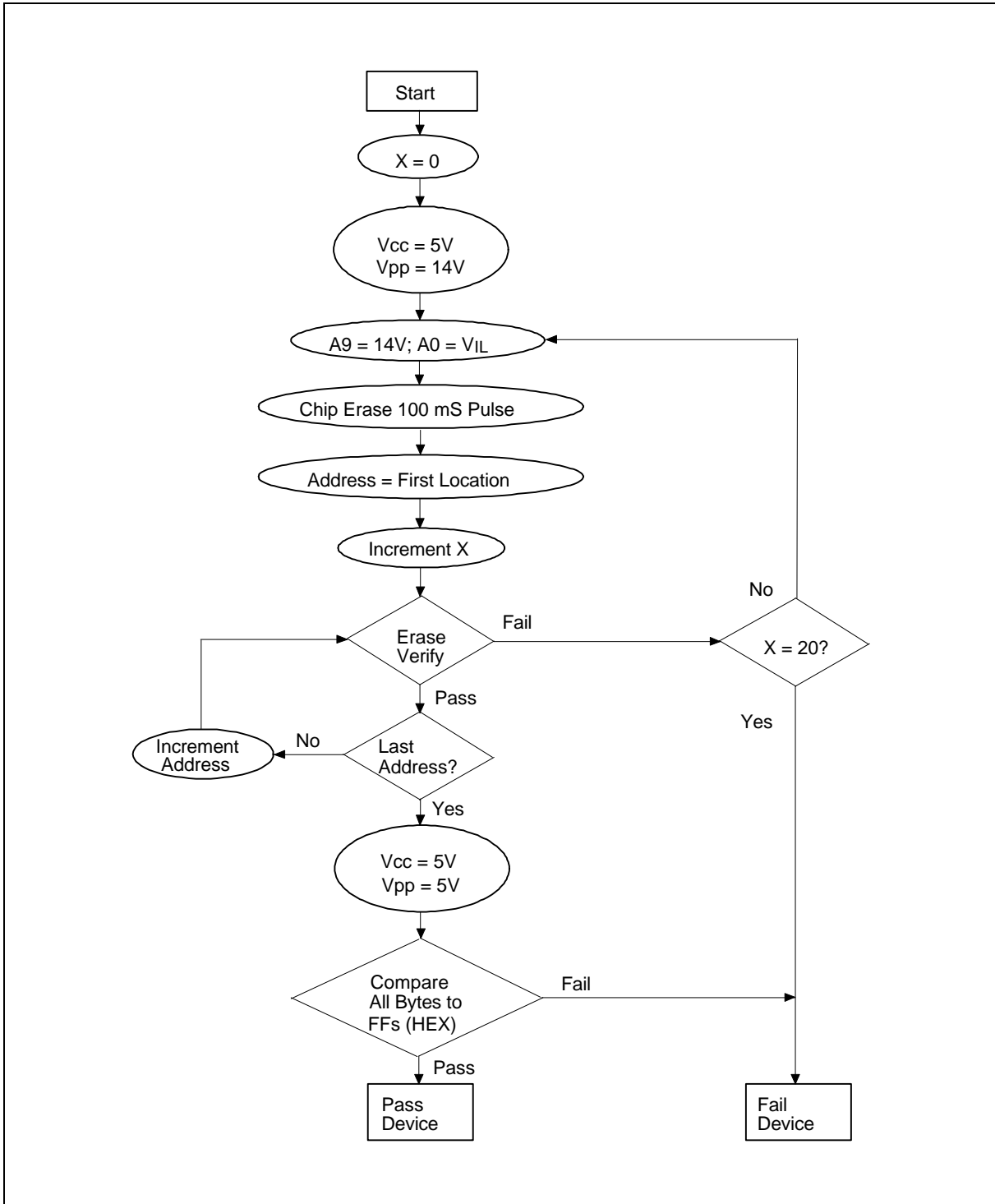
Programming Waveform



SMART PROGRAMMING ALGORITHM



SMART ERASE ALGORITHM



**ORDERING INFORMATION**

| PART NO. | ACCESS TIME (nS) | POWER SUPPLY CURRENT MAX. (mA) | STANDBY V_{CC} CURRENT MAX. (μA) | PACKAGE |
|-----------------|-------------------------|---------------------------------------|---|----------------|
| W27E257-10 | 100 | 30 | 100 | 600 mil DIP |
| W27E257-12 | 120 | 30 | 100 | 600 mil DIP |
| W27E257-15 | 150 | 30 | 100 | 600 mil DIP |
| W27E257P-10 | 100 | 30 | 100 | 32-pin PLCC |
| W27E257P-12 | 120 | 30 | 100 | 32-pin PLCC |
| W27E257P-15 | 150 | 30 | 100 | 32-pin PLCC |

Notes:

1. Winbond reserves the right to make changes to its products without prior notice.
2. Purchasers are responsible for performing appropriate quality assurance testing on products intended for use in applications where personal injury might occur as a consequence of product failure.



PACKAGE DIMENSIONS

28-pin P-DIP

| Symbol | Dimension in Inches | | | Dimension in mm | | |
|----------------|---------------------|-------|-------|-----------------|-------|-------|
| | Min. | Nom. | Max. | Min. | Nom. | Max. |
| A | — | — | 0.210 | — | — | 5.33 |
| A ₁ | 0.010 | — | — | 0.25 | — | — |
| A ₂ | 0.150 | 0.155 | 0.160 | 3.81 | 3.94 | 4.06 |
| B | 0.016 | 0.018 | 0.022 | 0.41 | 0.46 | 0.56 |
| B ₁ | 0.058 | 0.060 | 0.064 | 1.47 | 1.52 | 1.63 |
| C | 0.008 | 0.010 | 0.014 | 0.20 | 0.25 | 0.36 |
| D | — | 1.460 | 1.470 | — | 37.08 | 37.34 |
| E | 0.590 | 0.600 | 0.610 | 14.99 | 15.24 | 15.49 |
| E ₁ | 0.540 | 0.545 | 0.550 | 13.72 | 13.84 | 13.97 |
| e ₁ | 0.090 | 0.100 | 0.110 | 2.29 | 2.54 | 2.79 |
| L | 0.120 | 0.130 | 0.140 | 3.05 | 3.30 | 3.56 |
| a | 0 | — | 15 | 0 | — | 15 |
| g _A | 0.630 | 0.650 | 0.670 | 16.00 | 16.51 | 17.02 |
| S | — | — | 0.090 | — | — | 2.29 |

Notes:

1. Dimension D Max. & S include mold flash or tie bar burrs.
2. Dimension E1 does not include interlead flash.
3. Dimension D & E1 include mold mismatch and are determined at the mold parting line.
4. Dimension B1 does not include dambar protrusion/intrusion.
5. Controlling dimension: Inches.
6. General appearance spec. should be based on final visual inspection spec.

32-pin PLCC

| Symbol | Dimension in Inches | | | Dimension in mm | | |
|----------------|---------------------|-------|-------|-----------------|-------|-------|
| | Min. | Nom. | Max. | Min. | Nom. | Max. |
| A | — | — | 0.140 | — | — | 3.56 |
| A ₁ | 0.020 | — | — | 0.50 | — | — |
| A ₂ | 0.105 | 0.110 | 0.115 | 2.67 | 2.80 | 2.93 |
| b ₁ | 0.026 | 0.028 | 0.032 | 0.66 | 0.71 | 0.81 |
| b | 0.016 | 0.018 | 0.022 | 0.41 | 0.46 | 0.56 |
| c | 0.008 | 0.010 | 0.014 | 0.20 | 0.25 | 0.35 |
| D | 0.547 | 0.550 | 0.553 | 13.89 | 13.97 | 14.05 |
| E | 0.447 | 0.450 | 0.453 | 11.35 | 11.43 | 11.51 |
| F | 0.044 | 0.050 | 0.056 | 1.12 | 1.27 | 1.42 |
| G | 0.490 | 0.51 | 0.530 | 12.45 | 12.9 | 13.46 |
| G ₁ | 0.390 | 0.410 | 0.430 | 9.91 | 10.41 | 10.92 |
| H | 0.585 | 0.590 | 0.595 | 14.86 | 14.99 | 15.11 |
| H ₁ | 0.485 | 0.49 | 0.495 | 12.32 | 12.45 | 12.57 |
| L | 0.075 | 0.090 | 0.095 | 1.91 | 2.29 | 2.41 |
| y | — | — | 0.004 | — | — | 0.10 |
| Q | 0° | — | 10° | 0° | — | 10° |

Notes:

1. Dimension D & E do not include interlead flash.
2. Dimension b does not include dambar protrusion/intrusion.
3. Controlling dimension: Inches.
4. General appearance spec. should be based on final visual inspection spec.



Headquarters

No. 4, Creation Rd. III,
Science-Based Industrial Park,
Hsinchu, Taiwan
TEL: 886-3-5770066
FAX: 886-3-5792647
<http://www.winbond.com.tw/>
Voice & Fax-on-demand: 886-2-7197006

Taipei Office

11F, No. 115, Sec. 3, Min-Sheng East Rd.,
Taipei, Taiwan
TEL: 886-2-7190505
FAX: 886-2-7197502

Winbond Electronics (H.K.) Ltd.

Rm. 803, World Trade Square, Tower II,
123 Hoi Bun Rd., Kwun Tong,
Kowloon, Hong Kong
TEL: 852-27513100
FAX: 852-27552064

Winbond Electronics North America Corp.

Winbond Memory Lab.
Winbond Microelectronics Corp.
Winbond Systems Lab.
2730 Orchard Parkway, San Jose,
CA 95134, U.S.A.
TEL: 1-408-9436666
FAX: 1-408-9436668

Note: All data and specifications are subject to change without notice.