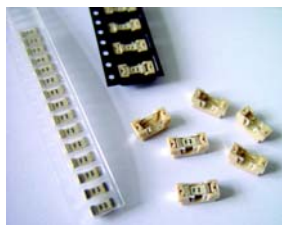
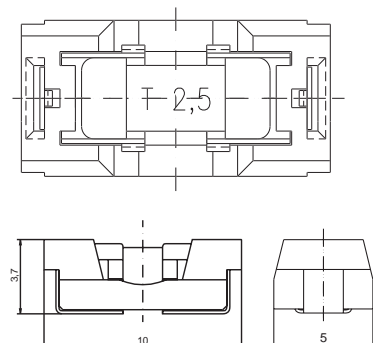


## No. 425 / X-SMQ

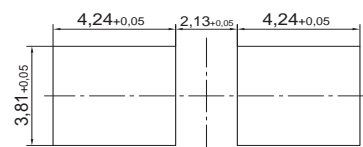
This product is not recommended for new designs. Please refer to Littelfuse No. 154T.



### Dimensions (mm)



### Pad Layout



### Limits for Pre-arcing Time

Rated Current	2.0 x I <sub>N</sub>
500mA ... 5.00A	1s ... 60s

## UL 248-14, 125V, T

### Holder with mounted fuse No. 420

#### Time-Current Characteristic

Time Lag (T)

#### Standard

UL 248-14  
CSA C22.2 No. 248.14

#### Approvals

cULus Recognized

### Features

Easy exchange of the fuse  
For line or low voltage applications  
Low voltage drop  
Internationally approved  
High pulse resistance  
For reflow soldering

### WebLinks

#### Further info see:

[www.wickmanngroup.com](http://www.wickmanngroup.com)

#### Further application info see Fuseology:

[www.wickmann.com/download/fuseology.pdf](http://www.wickmann.com/download/fuseology.pdf)

## Specifications

### Packaging

010: Blister tape 38 cm reel (1500pcs.)  
tape width 16 mm

### Materials of the Holder

Housing: Holder plastics UL94 V-0  
Terminals: Copper alloy, Ni+Sn plated,  
lead free

### Operating Temperature

-55°C to +125°C (consider de-rating)

### Climatic Category

-55°C/+125°C/21 days (IEC 60068-2-1...3)

### Stock Conditions

+10°C to +60°C  
relative humidity ≤ 75% yearly average,  
without dew, maximum value for 30 days-95%

### Vibration Resistance

24 cycles at 15 min. each (IEC 60068-2-6)  
10 - 60Hz at 0.75mm amplitude  
60 - 2000Hz at 10g acceleration

### Solderability

235°C, 3 sec. (IEC 60068-2-58)

### Soldering Heat Resistance

260°C, 10 sec. (IEC 60068-2-58)  
280°C, 5 sec.

### Minimum Cross Section, Copper

Conducting path - 0.1mm<sup>2</sup>  
Thickness - 0.035mm

### Mounting

Avoid circuit traces below the fuse

### Marking on fuse

T, Current Rating

### Unit Weight

0.4g (approx.)



Permissible continuous operating current is ≤ 70% at ambient temperature of 23°C (73.4°F).

Rated Current	Amp code	Voltage Rating	Breaking Capacity	Voltage Drop 1.0 x I <sub>N</sub> (W) typ. (mV)	Power Dissipation 1.0 x I <sub>N</sub> (W) typ. (mW)	Melting Integral 10 x I <sub>N</sub> (W) min. (A <sup>2</sup> s) typ.	Approvals cULus
500mA	0500	125V	50A / 125VAC	430	230	0.22 0.29	•
750mA	0750	125V	50-60Hz	300	270	0.75 1.0	•
1.00A	1100	125V	cos φ = 1.0	270	435	1.60 2.2	•
1.50A	1150	125V	50A / 80VDC	150	270	3.20 5.0	•
2.00A	1200	125V		165	380	5.50 6.8	•
2.50A	1250	125V		130	400	8.50 11.0	•
3.00A	1300	125V		125	450	11.0 14.5	•
3.50A	1350	125V	35A / 125VAC	112	512	21.0 28.0	•
4.00A	1400	125V	50-60Hz; cos φ = 1.0	110	560	30.0 40.0	•
5.00A	1500	125V	50A / 80VDC	100	620	50.0 74.0	•

\*) Please note: The holder no. 425 is lead-free, but not the inserted fuse no. 420

### Order Information

Qty.	Order-Number	Series	Amp Code	Packaging
		425		

Specifications are subject to change without notice

### WebSite

www.wickmanngroup.com

### Europe

Tel: +49 2302 662-107  
E-mail: sales@wickmann.com

### Americas

Tel: +1 404 699-7820  
E-mail: service@wickmannusa.com

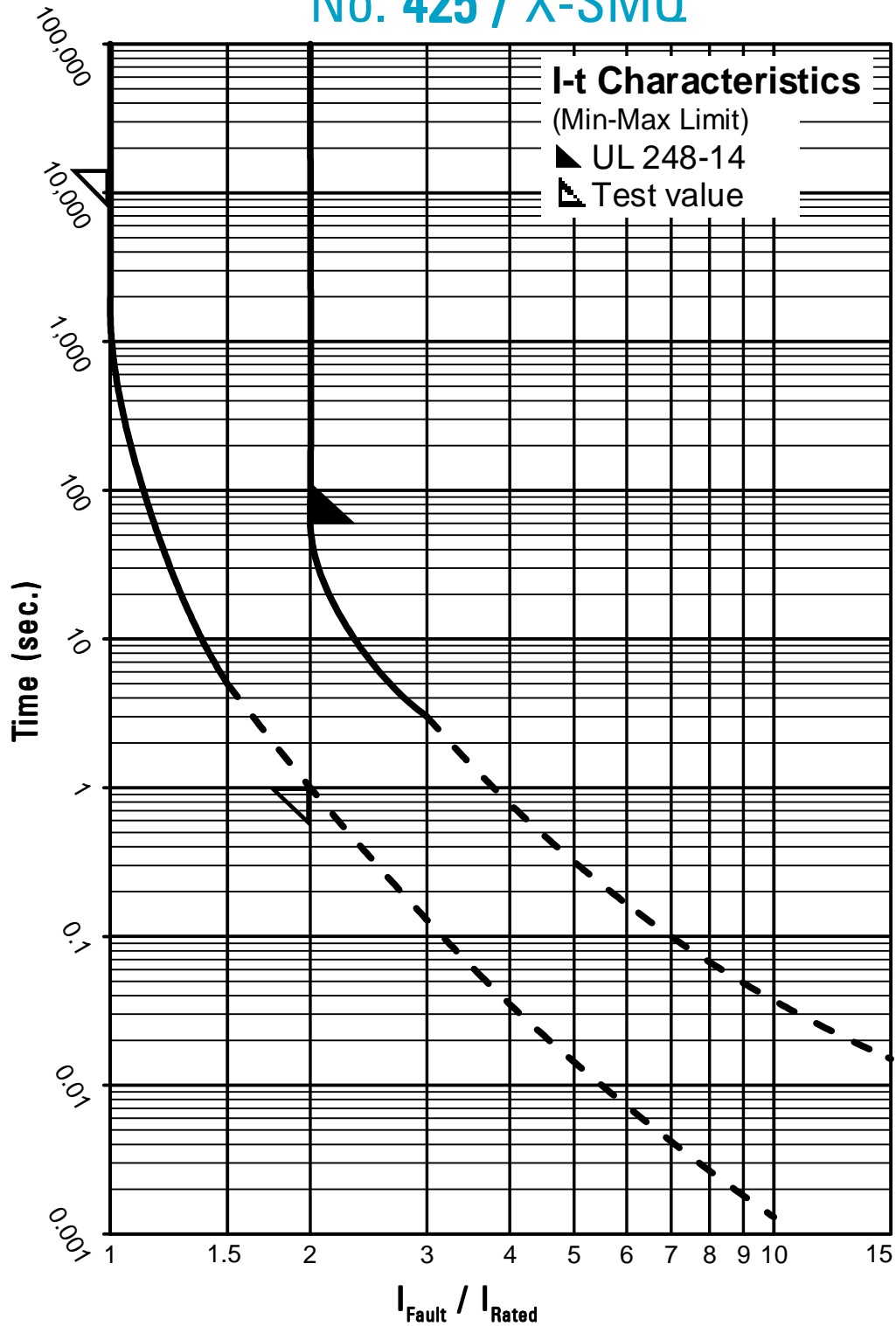
### Asia

Tel: +852 26 14-1108  
E-mail: sales@wickmann.com.hk

### China

Tel: +86 21 6432 5146  
E-mail: sales@wickmann.com

## No. 425 / X-SMQ



Contact WICKMANN for individual I-t curves