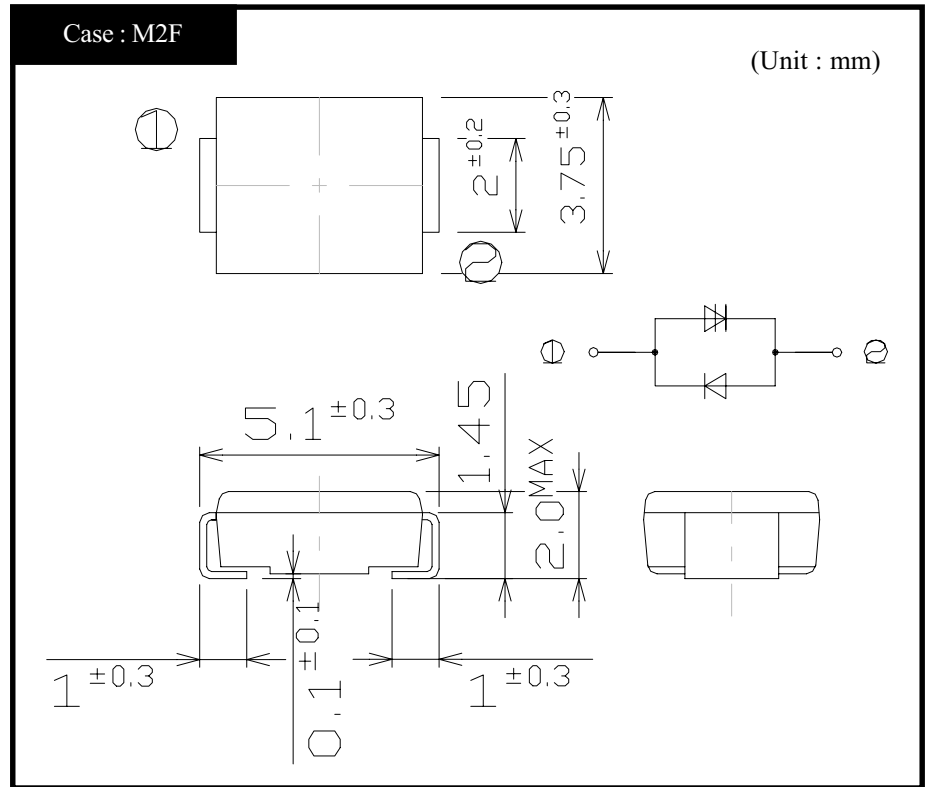


# KU10LU07

### OUTLINE DIMENSIONS



### RATINGS

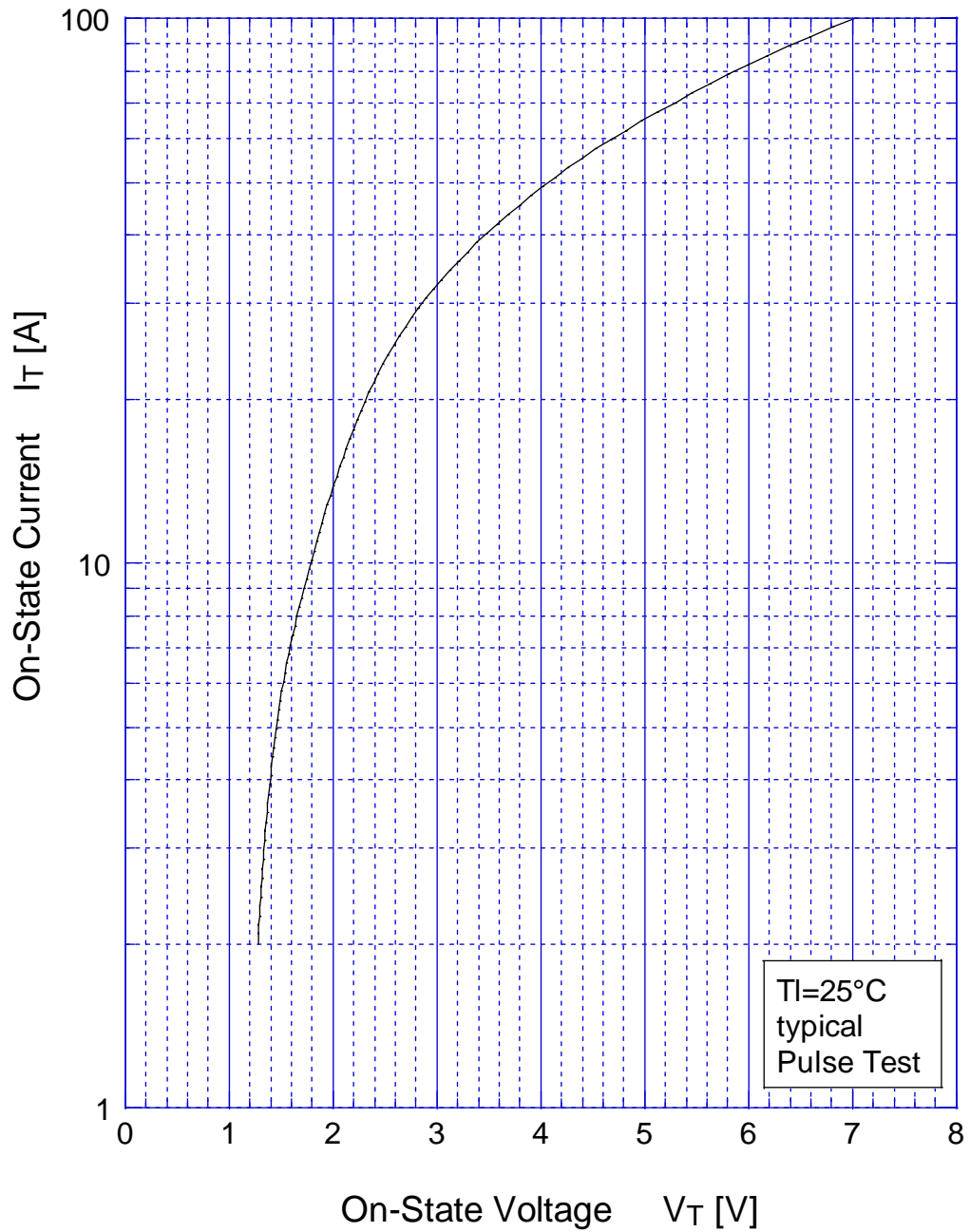
#### ● Absolute Maximum Ratings

Item	Symbol	Conditions	Ratings	Unit
Storage Temperature	T <sub>stg</sub>		-40~125	°C
Junction Temperature	T <sub>j</sub>		125	°C
Maximum Off-State Voltage	V <sub>DRM</sub>		58	V
Surge On-State Current	I <sub>TSM</sub>	Pulse-waveform 10/1000 μ s, Non-repetitive	100	A
Peak Surge Forward Current	I <sub>FSM</sub>	Pulse-waveform 10/1000 μ s, Non-repetitive	100	

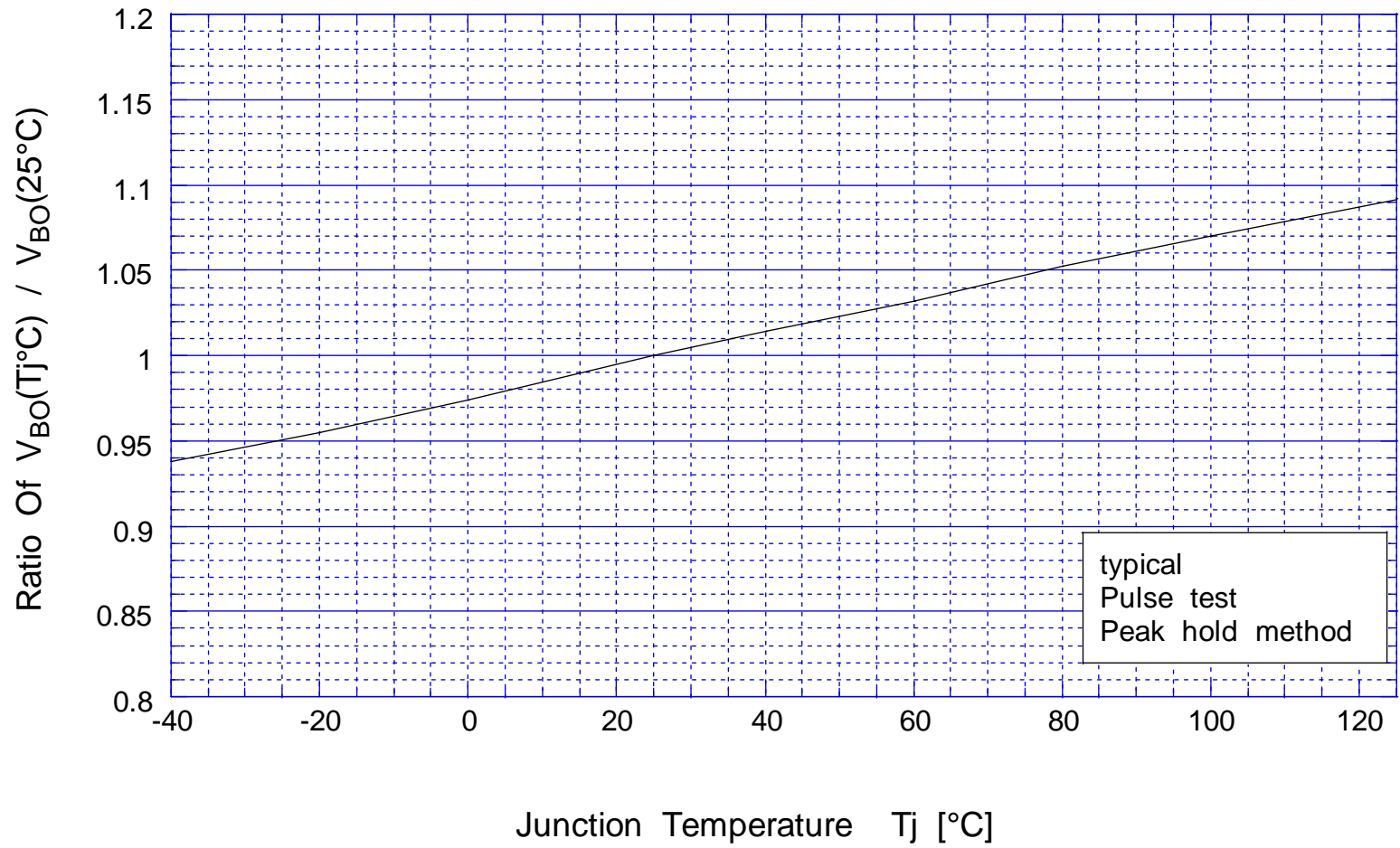
#### ● Electrical Characteristics (Tl=25°C)

Item	Symbol	Conditions	Ratings	Unit
Breakdown Voltage	V <sub>BR</sub>	I <sub>BR</sub> =1mA	Min 62	V
Off-State Current	I <sub>DRM</sub>	V <sub>D</sub> = V <sub>DRM</sub>	Max 10	μ A
Holding Current	I <sub>H</sub>	Pulse measurement	Min 100	mA
On-State Voltage	V <sub>T</sub>	I <sub>T</sub> = 2A	Typ 1.15	V
Capacitance	C <sub>j</sub>	f = 1kHz, OSC = 1V, DC = 50V	Max 200	pF
Clamping voltage	V <sub>CL</sub>	dv/dt = 100V/μ s	Max 100	V

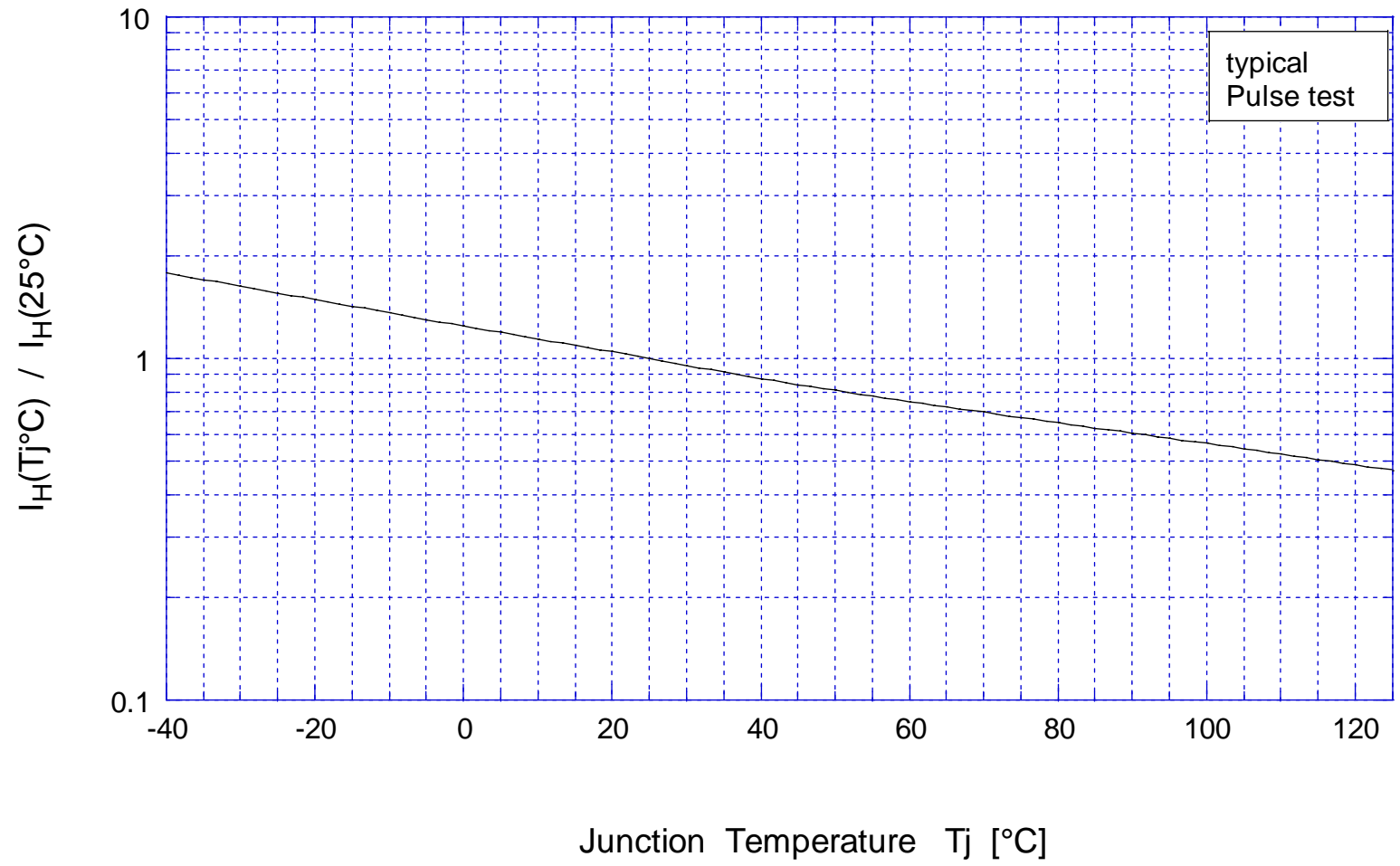
# KU10LU07 On-State Voltage - On-State Current



# KU10LU07 Breakover Voltage - Junction Temperature

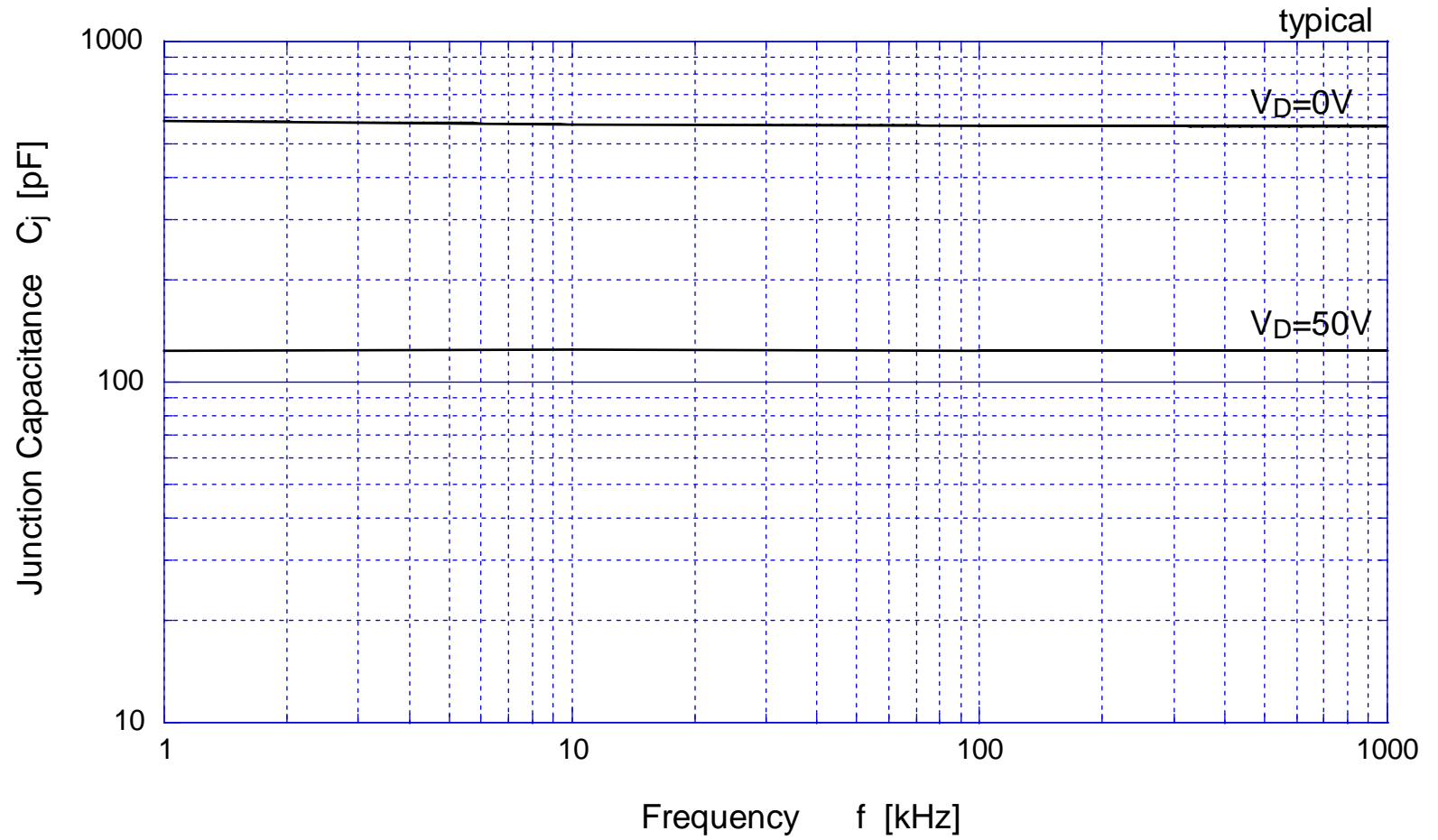


# KU10LU07 Holding Current



# KU10LU07 Junction Capacitance

---



# KU10LU07 Junction Capacitance

