

Features

- 168 Pin Registered ECC 16,777,216 x 72 bit Organization SDRAM Modules
- Utilizes High Performance 16M x 4 SDRAM in TSOPII-54 Packages
- Fully PC Board Layout Compatible to INTEL'S Rev 1.2 Module Specification
- Single +3.3V (± 0.3V) Power Supply
- Programmable $\overline{\text{CAS}}$ Latency, Burst Length, and Wrap Sequence (Sequential & Interleave)
- Auto Refresh (CBR) and Self Refresh
- All Inputs, Outputs are LVTTTL Compatible
- 4096 Refresh Cycles every 64 ms
- Serial Present Detect (SPD)
- SDRAM Performance

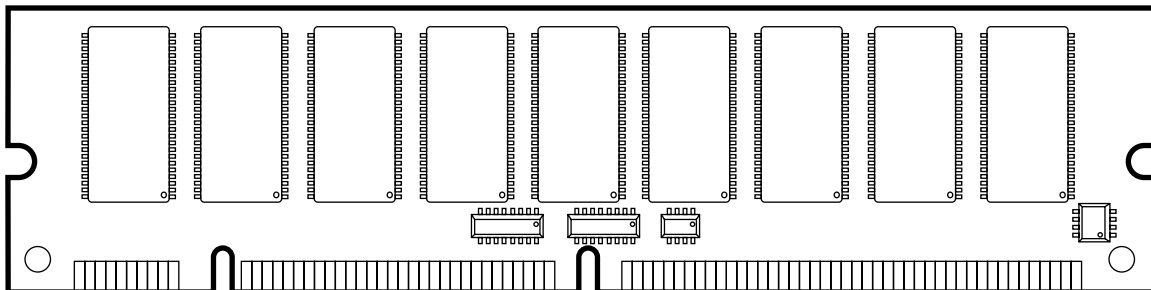
Description

The V437216C04VDTG-10PC memory module is organized 16,777,216 x 72 bits in a 168 pin dual in line memory module (DIMM). The 16M x 72 registered DIMM uses 18 Mosel-Vitelic 16M x 4 ECC SDRAM. The x72 registered modules are ideal for use in high performance computer systems where increased memory density and fast access times are required.

| | Key Component Timing Parameters | -8PC | Units |
|----------|---|------|-------|
| t_{CK} | Clock Frequency (max.) | 125 | MHz |
| t_{AC} | Clock Access Time $\overline{\text{CAS}}$ | | |
| | Latency = 3 | 6 | ns |
| | Latency = 2 | 6 | ns |

■ Module Frequency vs AC Parameter

| Frequency | CL ($\overline{\text{CAS}}$ Latency) | t_{RCD} | t_{RP} | t_{RC} | Unit |
|-------------------------------------|--|-----------|----------|----------|------|
| V437216C04VDTG-10PC 100 MHz (PC) | 3 | 2 | 2 | 7 | CLK |
| | 2 | 2 | 2 | 7 | CLK |



MOSEL VITELIC**V437216C04VDTG-10PC****Pin Configurations (Front Side/Back Side)**

| Pin | Front | Pin | Front | Pin | Front | Pin | Back | Pin | Back | Pin | Back |
|-----|-----------------|-----|------------------|-----|-------|-----|-------|-----|------------------|-----|-------|
| 1 | VSS | 29 | DQM1 | 57 | I/O19 | 85 | VSS | 113 | DQM5 | 141 | I/O51 |
| 2 | I/O1 | 30 | $\overline{CS0}$ | 58 | I/O20 | 86 | I/O33 | 114 | $\overline{CS1}$ | 142 | I/O52 |
| 3 | I/O2 | 31 | DU | 59 | VCC | 87 | I/O34 | 115 | RAS | 143 | VCC |
| 4 | I/O3 | 32 | VSS | 60 | I/O21 | 88 | I/O35 | 116 | VSS | 144 | I/O53 |
| 5 | I/O4 | 33 | A0 | 61 | NC | 89 | I/O36 | 117 | A1 | 145 | NC |
| 6 | VCC | 34 | A2 | 62 | DU | 90 | VCC | 118 | A3 | 146 | DU |
| 7 | I/O5 | 35 | A4 | 63 | CKE1* | 91 | I/O37 | 119 | A5 | 147 | REGE |
| 8 | I/O6 | 36 | A6 | 64 | VSS | 92 | I/O38 | 120 | A7 | 148 | VSS |
| 9 | I/O7 | 37 | A8 | 65 | I/O22 | 93 | I/O39 | 121 | A9 | 149 | I/O54 |
| 10 | I/O8 | 38 | A10(AP) | 66 | I/O23 | 94 | I/O40 | 122 | BA0 | 150 | I/O55 |
| 11 | I/O9 | 39 | BA1 | 67 | I/O24 | 95 | I/O41 | 123 | A11 | 151 | I/O56 |
| 12 | VSS | 40 | VCC | 68 | VSS | 96 | VSS | 124 | VCC | 152 | VSS |
| 13 | I/O10 | 41 | VCC | 69 | I/O25 | 97 | I/O42 | 125 | CLK1* | 153 | I/O57 |
| 14 | I/O11 | 42 | CLK0 | 70 | I/O26 | 98 | I/O43 | 126 | A12 | 154 | I/O58 |
| 15 | I/O12 | 43 | VSS | 71 | I/O27 | 99 | I/O44 | 127 | VSS | 155 | I/O59 |
| 16 | I/O13 | 44 | DU | 72 | I/O28 | 100 | I/O45 | 128 | CKE0 | 156 | I/O60 |
| 17 | I/O14 | 45 | $\overline{CS2}$ | 73 | VCC | 101 | I/O46 | 129 | $\overline{CS3}$ | 157 | VCC |
| 18 | VCC | 46 | DQM2 | 74 | I/O29 | 102 | VCC | 130 | DQM6 | 158 | I/O61 |
| 19 | I/O15 | 47 | DQM3 | 75 | I/O30 | 103 | I/O47 | 131 | DQM7 | 159 | I/O62 |
| 20 | I/O16 | 48 | DU | 76 | I/O31 | 104 | I/O48 | 132 | DU | 160 | I/O63 |
| 21 | CBO | 49 | VCC | 77 | I/O32 | 105 | CB4 | 133 | VCC | 161 | I/O64 |
| 22 | CB1 | 50 | NC | 78 | VSS | 106 | CB5 | 134 | NC | 162 | VSS |
| 23 | VSS | 51 | NC | 79 | CLK2* | 107 | VSS | 135 | NC | 163 | CLK3* |
| 24 | NC | 52 | CB2 | 80 | NC | 108 | NC | 136 | CB6 | 164 | NC |
| 25 | NC | 53 | CB3 | 81 | WP | 109 | NC | 137 | CB7 | 165 | SA0 |
| 26 | VCC | 54 | VSS | 82 | SDA | 110 | VCC | 138 | VSS | 166 | SA1 |
| 27 | \overline{WE} | 55 | I/O17 | 83 | SCL | 111 | CAS | 139 | I/O49 | 167 | SA2 |
| 28 | DQM0 | 56 | I/O18 | 84 | VCC | 112 | DQM4 | 140 | I/O50 | 168 | VCC |

Notes:

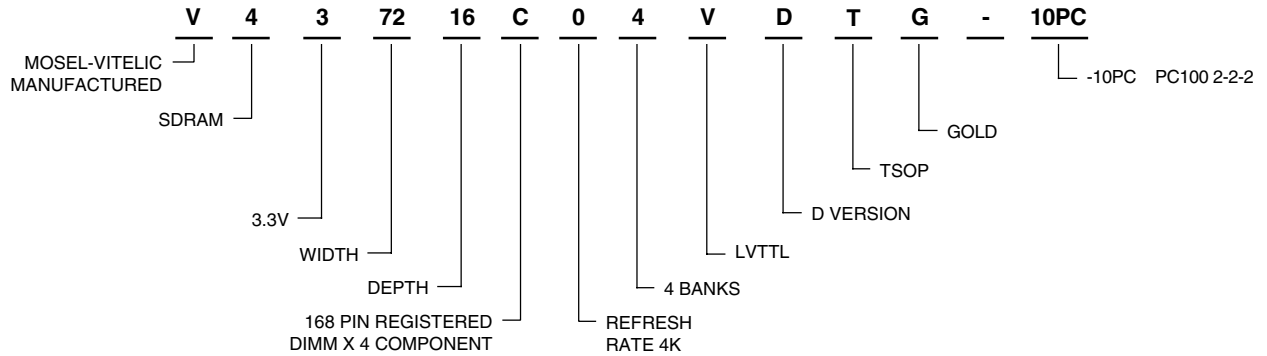
* These pins are not used in this module.

Pin Names

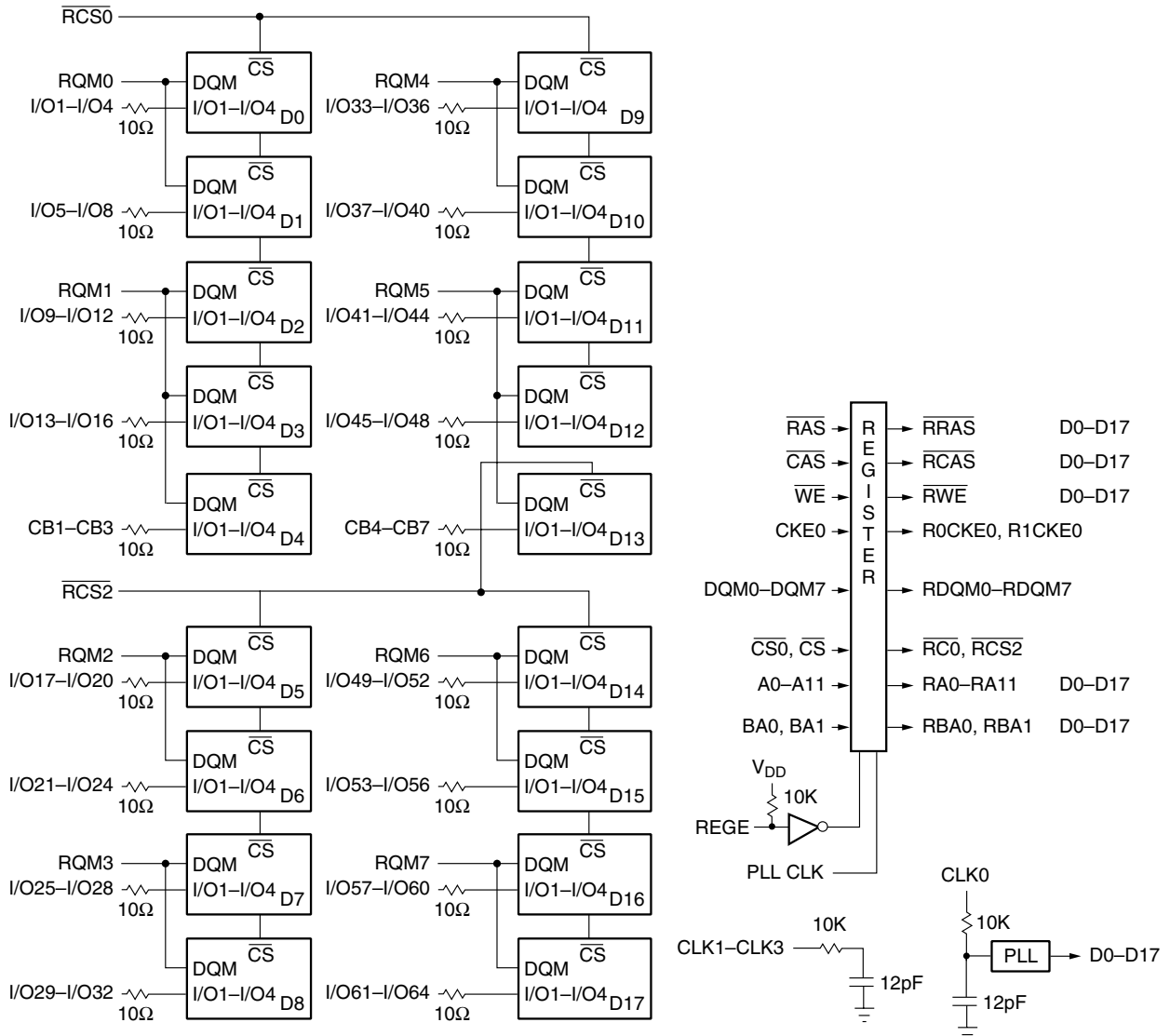
| | |
|-------------------------------------|---------------------------|
| A0–A11 | Address Inputs |
| I/O1–I/O64 | Data Inputs/Outputs |
| RAS | Row Address Strobe |
| \overline{CAS} | Column Address Strobe |
| \overline{WE} | Read/Write Input |
| BA0, BA1 | Bank Selects |
| $\overline{CKE0}$ | Clock Enable |
| $\overline{CS0}$, $\overline{CS2}$ | Chip Select |
| CLK0–CLK3 | Clock Input |
| DQM0–DQM7 | Data Mask |
| VCC | Power (+3.3 Volts) |
| VSS | Ground |
| SCL | Clock for Presence Detect |

| | |
|---------|-------------------------------------|
| SDA | Serial Data OUT for Presence Detect |
| SA0–A2 | Serial Data IN for Presence Detect |
| CB0–CB4 | Check Bits (x72 Organization) |
| NC | No Connection |
| REGE | Register Enable |
| DU | Don't Use |

Module Part Number Information



Block Diagram



Serial Presence Detect Information

A serial presence detect storage device – E²PROM – is assembled onto the module. Information about the module configuration, speed, etc. is

written into the E²PROM device during module production using a serial presence detect protocol (I²C synchronous 2-wire bus)

SPD-Table for -10PC modules:

| Byte Number | Function Described | SPD Entry Value | Hex Value |
|-------------|---|-----------------------------|-----------|
| | | | 16Mx72 |
| 0 | Number of SPD bytes | 128 | 80 |
| 1 | Total bytes in Serial PD | 256 | 08 |
| 2 | Memory Type | SDRAM | 04 |
| 3 | Number of Row Addresses (without BS bits) | 12 | 0C |
| 4 | Number of Column Addresses (for x4 SDRAM) | 10 | 0A |
| 5 | Number of DIMM Banks | 1 | 01 |
| 6 | Module Data Width | 72 | 48 |
| 7 | Module Data Width (continued) | 0 | 00 |
| 8 | Module Interface Levels | LVTTTL | 01 |
| 9 | SDRAM Cycle Time at CL=3 | 10.0 ns | A0 |
| 10 | SDRAM Access Time from Clock at CL=3 | 6.0 ns | 60 |
| 11 | Dimm Config (Error Det/Corr.) | ECC | 02 |
| 12 | Refresh Rate/Type | Self-Refresh, 15.8µs | 80 |
| 13 | SDRAM width, Primary | x4 | 04 |
| 14 | Error Checking SDRAM Data Width | x4 | 04 |
| 15 | Minimum Clock Delay from Back to Back Random Column Address | t _{ccd} = 1 CLK | 01 |
| 16 | Burst Length Supported | 1, 2, 4, 8, full page | 8F |
| 17 | Number of SDRAM Banks | 4 | 04 |
| 18 | Supported \overline{CAS} Latencies | CL = 2, 3 | 06 |
| 19 | \overline{CS} Latencies | \overline{CS} Latency = 0 | 01 |
| 20 | \overline{WE} Latencies | WL = 0 | 01 |
| 21 | SDRAM DIMM Module Attributes | Registered/Buffered | 1F |
| 22 | SDRAM Device Attributes: General | V _{cc} tol ± 10% | 0E |
| 23 | Minimum Clock Cycle Time at \overline{CAS} Latency = 2 | 10.0 ns | A0 |
| 24 | Maximum Data Access Time from Clock for CL = 2 | 6.0 ns | 60 |
| 25 | Minimum Clock Cycle Time at CL = 1 | Not Supported | 00 |
| 26 | Maximum Data Access Time from Clock at CL = 1 | Not Supported | 00 |
| 27 | Minimum Row Precharge Time | 20 ns | 14 |
| 28 | Minimum Row Active to Row Active Delay t _{RRD} | 16 ns | 10 |
| 29 | Minimum RAS to \overline{CAS} Delay t _{RCD} | 20 ns | 14 |
| 30 | Minimum RAS Pulse Width t _{RAS} | 45 ns | 2D |

SPD-Table for -10PC modules: (Continued)

| Byte Number | Function Described | SPD Entry Value | Hex Value |
|-------------|--|---------------------|-----------|
| | | | 16Mx72 |
| 31 | Module Bank Density (Per Bank) | 128 MByte | 20 |
| 32 | SDRAM Input Setup Time | 2 ns | 20 |
| 33 | SDRAM Input Hold Time | 1 ns | 10 |
| 34 | SDRAM Data Input Setup Time | 2 ns | 20 |
| 35 | SDRAM Data Input Hold Time | 1 ns | 10 |
| 62-61 | Superset Information (May be used in Future) | | 00 |
| 62 | SPD Revision | Revision 1.2 | 12 |
| 63 | Checksum for Bytes 0 - 62 | | 36 |
| 64 | Manufacturer's JEDEC ID Code | Mosel Vitelic | 40 |
| 65-71 | Manufacturer's JEDEC ID Code (cont.) | | 00 |
| 72 | Manufacturing Location | | |
| 73-90 | Module Part Number (ASCII) | V437216C04VDTG-10PC | |
| 91-92 | PCB Identification Code | | |
| 93 | Assembly Manufacturing Date (Year) | | |
| 94 | Assembly Manufacturing Date (Week) | | |
| 95-98 | Assembly Serial Number | | |
| 99-125 | Reserved | | 00 |
| 126 | Intel Specification for Frequency | 100 MHz | 64 |
| 127 | Detailed 100 MHz Information | | 8F |
| 128+ | Unused Storage Location | | 00 |

DC Characteristics

$T_A = 0^{\circ}\text{C}$ to 70°C ; $V_{SS} = 0\text{ V}$; $V_{DD}, V_{DDQ} = 3.3\text{V} \pm 0.3\text{V}$

| Symbol | Parameter | Limit Values | | Unit |
|------------|---|--------------|--------------|---------------|
| | | Min. | Max. | |
| V_{IH} | Input High Voltage | 2.0 | $V_{CC}+0.3$ | V |
| V_{IL} | Input Low Voltage | -0.3 | 0.8 | V |
| V_{OH} | Output High Voltage ($I_{OUT} = -4.0\text{ mA}$) | 2.4 | — | V |
| V_{OL} | Output Low Voltage ($I_{OUT} = 4.0\text{ mA}$) | — | 0.4 | V |
| $I_{I(L)}$ | Input Leakage Current, any input ($0\text{ V} < V_{IN} < 3.6\text{ V}$, all other inputs = 0V) | -10 | 10 | μA |
| $I_{O(L)}$ | Output leakage current (DQ is disabled, $0\text{V} < V_{OUT} < V_{CC}$) | -10 | 10 | μA |

Capacitance
 $T_A = 0^\circ\text{C to } 70^\circ\text{C}; V_{DD} = 3.3\text{V} \pm 0.3\text{V}, f = 1\text{ MHz}$

| Symbol | Parameter | Limit Values | | Unit |
|------------------|--|--------------|------|------|
| | | Min. | Max. | |
| C _{I1} | Input Capacitance (A0 to A11, $\overline{\text{RAS}}$, $\overline{\text{CAS}}$, $\overline{\text{WE}}$) | 8 | 15 | pF |
| C _{I2} | Input Capacitance ($\overline{\text{CS0}}$ - $\overline{\text{CS3}}$) | 8 | 15 | pF |
| C _{ICL} | Input Capacitance (CLK0) | — | 20 | pF |
| C _{I3} | Input Capacitance (CKE0) | 8 | 15 | pF |
| C _{I4} | Input Capacitance (DQM0-DQM7) | 8 | 15 | pF |
| C _{IO} | Input/Output Capacitance (I/O1-I/064) | 9 | 16 | pF |
| C _{SC} | Input Capacitance (SCL, SA0-2) | — | 8 | pF |

Absolute Maximum Ratings

| Parameter | Max. | Units |
|---|------------|-------|
| Voltage on VDD Supply Relative to V _{SS} | -1 to 4.6 | V |
| Voltage on Input Relative to V _{SS} | -1 to 4.6 | V |
| Operating Temperature | 0 to +70 | °C |
| Storage Temperature | -55 to 125 | °C |
| Power Dissipation | 8 | W |

Standby and Refresh Currents¹
 $T_A = 0^{\circ}\text{C to } 70^{\circ}\text{C}, V_{CC} = 3.3\text{V} \pm 0.3\text{V}$

| Symbol | Parameter | Test Conditions | 16M x 72 | Unit | Note |
|------------|---|---|-----------|------|--------------------------------------|
| I_{CC1} | Operating Current | Burst length = 4, CL = 3 $t_{RC} > t_{RC}(\text{min})$, $t_{CK} > t_{CK}(\text{min})$, IO = 0 mA 2 Bank Interleave Operation | 2340 | mA | 1,2 |
| I_{CC2P} | Precharged Standby Current in Power Down Mode | $\text{CKE} < V_{IL}(\text{max})$, $t_{CK} > t_{CK}(\text{min})$ | 36 | mA | |
| I_{CC2N} | Precharged Standby Current in Non-Power Down Mode | $\text{CKE} > V_{IH}(\text{min})$, $t_{CK} > t_{CK}(\text{min})$, Input changed once in 3 cycles | 630 | mA | $\overline{\text{CS}} = \text{High}$ |
| I_{CC3P} | Active Standby Current in Power Down Mode | $\text{CKE} < V_{IL}(\text{max})$, $t_{CK} > t_{CK}(\text{min})$ | 144 | mA | |
| I_{CC3N} | Active Standby Current in Non-Power Down Mode | $\text{CKE} > V_{IH}(\text{min})$, $t_{CK} > t_{CK}(\text{min})$, Input changed one time | 810 | mA | $\overline{\text{CS}} = \text{High}$ |
| I_{CC4} | Burst Operating Current | $t_{RC} = \text{Infinite}$, CL = 3, $t_{CK} > t_{CK}(\text{min})$, IO = 0 mA 2 Banks Activated | 1980 | mA | 1, 2 |
| I_{CC5} | Auto Refresh Current | $t_{RC} > t_{RC}(\text{min})$ | 2340 | mA | 1,2 |
| I_{CC6} | Self Refresh Current | CKE = <0,2 V | Standard | mA | 1,2 |
| | | | L-version | | |

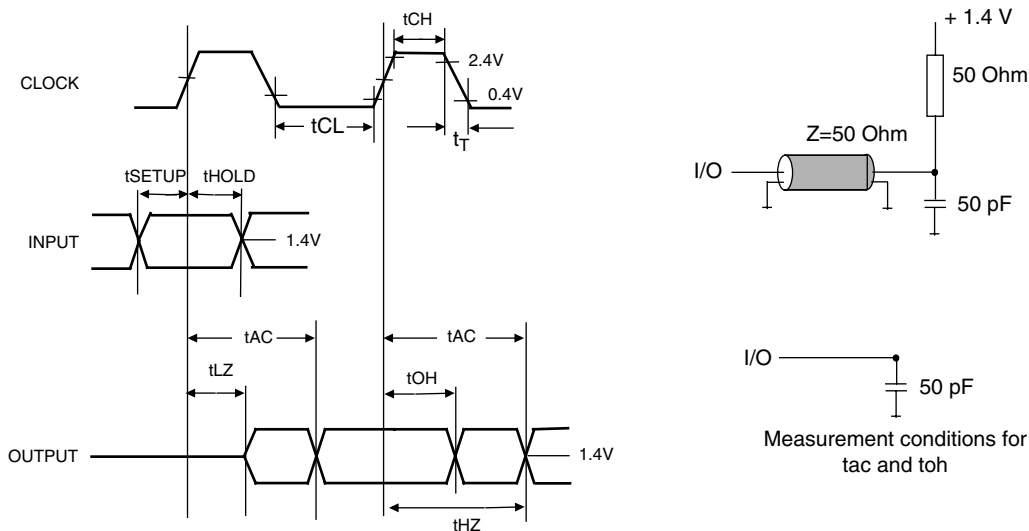
AC Characteristics^{3,4}

T_A = 0° to 70°C; V_{SS} = 0V; V_{CC} = 3.3V ± 0.3V, t_T = 1 ns

| # | Symbol | Parameter | Limit Values | | Unit | Note |
|-------------------------------|-------------------|---|--------------|------------|------------|------|
| | | | -10PC | | | |
| | | | Min. | Max. | | |
| Clock and Clock Enable | | | | | | |
| 1 | t _{CK} | Clock Cycle Time CAS Latency = 3 CAS Latency = 2 | 10 10 | | ns ns | |
| 2 | f _{CK} | System frequency CAS Latency = 3 CAS Latency = 2 | – – | 100 100 | MHz MHz | |
| 3 | t _{AC} | Clock Access Time CAS Latency = 3 CAS Latency = 2 | – – | 6 6 | ns ns | 2, 4 |
| 4 | t _{CH} | Clock High Pulse Width | 3 | – | ns | 6 |
| 5 | t _{CL} | Clock Low Pulse Width | 3 | – | ns | 6 |
| 6 | t _{CS} | Input Setup time | 2 | – | ns | 7 |
| 7 | t _{CH} | Input Hold Time | 1 | – | ns | 7 |
| 8 | t _{CKSP} | CKE Setup Time (Power down mode) | 2.5 | – | ns | 8 |
| 9 | t _{CKSR} | CKE Setup Time (Self Refresh Exit) | 8 | – | ns | 9 |
| 10 | t _T | Transition time (rise and fall) | 1 | – | ns | |
| Common Parameters | | | | | | |
| 11 | t _{RCD} | RAS to CAS delay | 20 | – | ns | 6 |
| 12 | t _{RC} | Cycle Time | 70 | 120K | ns | 6 |
| 13 | t _{RAS} | Active Command Period | 45 | – | ns | 6 |
| 14 | t _{RP} | Precharge Time | 20 | – | ns | 6 |
| 15 | t _{RRD} | Bank to Bank Delay Time | 16 | – | ns | 6 |
| 16 | t _{CCD} | CAS to CAS delay time (same bank) | 1 | – | CLK | |
| Refresh Cycle | | | | | | |
| 17 | t _{SREX} | Self Refresh Exit Time | 10 | – | ns | |
| 18 | t _{REF} | Refresh Period (8192 cycles) | 64 | – | ms | |
| Read Cycle | | | | | | |
| 19 | t _{OH} | Data Out Hold Time | 3 | – | ns | 2, 4 |
| 20 | t _{LZ} | Data Out to Low Impedance Time | 0 | – | ns | |
| 21 | t _{HZ} | Data Out to High Impedance Time | 3 | 9 | ns | 10 |
| 22 | t _{DQZ} | DQM Data Out Disable Latency | 2 | – | CLK | |
| Write Cycle | | | | | | |
| 23 | t _{DPL} | Data input to Precharge (write recovery) | 2 | – | CLK | |
| 24 | t _{DQW} | DQM Write Mask Latency | 0 | – | CLK | 11 |

Notes:

1. The specified values are valid when addresses are changed no more than once during $t_{CK}(\text{min.})$ and when No Operation commands are registered on every rising clock edge during $t_{RC}(\text{min.})$. Values are shown per module bank.
2. The specified values are valid when data inputs (DQ's) are stable during $t_{RC}(\text{min.})$.
3. All AC characteristics are shown for device level.
An initial pause of 100 μs is required after power-up, then a Precharge All Banks command must be given followed by 8 Auto Refresh (CBR) cycles before the Mode Register Set Operation can begin.
4. AC timing tests have $V_{IL} = 0.4\text{V}$ and $V_{IH} = 2.4\text{V}$ with the timing referenced to the 1.4V crossover point. The transition time is measured between V_{IH} and V_{IL} . All AC measurements assume $t_T = 1 \text{ ns}$ with the AC output load circuit shown. Specific t_{ac} and t_{oh} parameters are measured with a 50 pF only, without any resistive termination and with a input signal of 1V / ns edge rate between 0.8V and 2.0V.



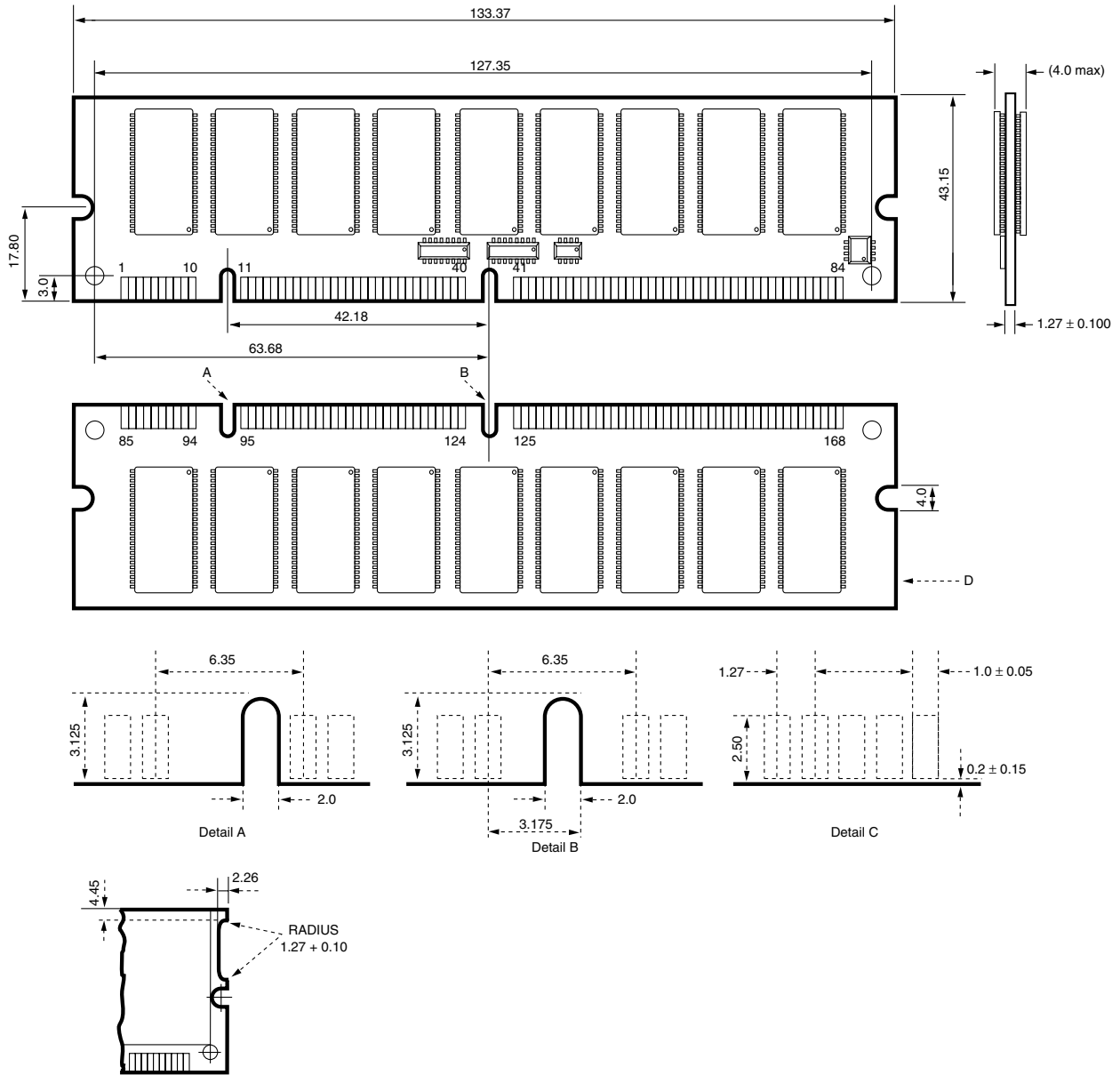
5. If clock rising time is longer than 1 ns, a time $(t_T/2 - 0.5)$ ns has to be added to this parameter.
6. Rated at 1.5V
7. If t_T is longer than 1 ns, a time $(t_T - 1)$ ns has to be added to this parameter.
8. Any time that the refresh Period has been exceeded, a minimum of two Auto (CBR) Refresh commands must be given to "wake-up" the device.
9. Self Refresh Exit is a synchronous operation and begins on the 2nd positive clock edge after CKE returns high. Self Refresh Exit is not complete until a time period equal to t_{RC} is satisfied once the Self Refresh Exit command is registered.
10. Referenced to the time which the output achieves the open circuit condition, not to output voltage levels.
11. t_{DAL} is equivalent to $t_{DPL} + t_{RP}$.

Package Diagram

L-DIM-168-30

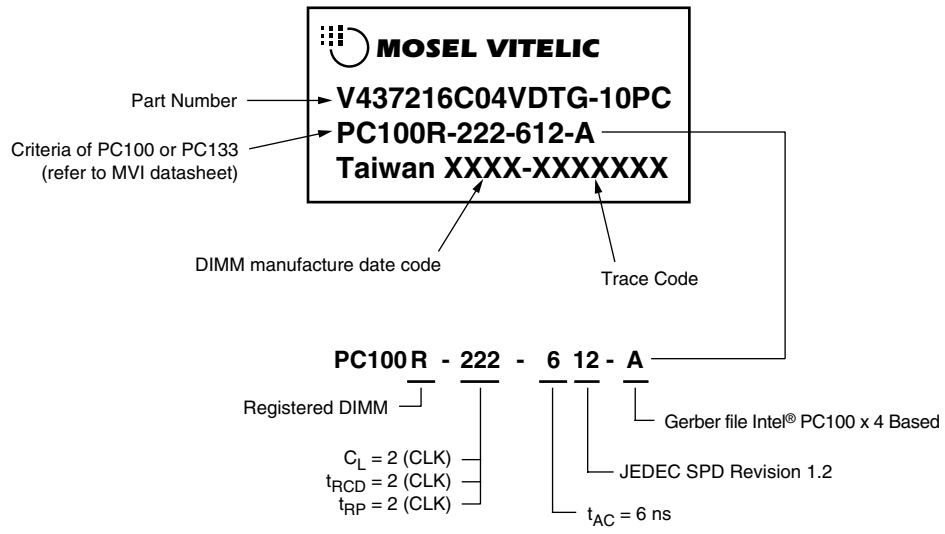
SDRAM DIMM Module Package

All measurements in mm



Tolerances: ± (0.13) unless otherwise specified.

Label Information



U.S.A.

3910 NORTH FIRST STREET
SAN JOSE, CA 95134
PHONE: 408-433-6000
FAX: 408-433-0952

TAIWAN

7F, NO. 102
MIN-CHUAN E. ROAD, SEC. 3
TAIPEI
PHONE: 886-2-2545-1213
FAX: 886-2-2545-1209

NO 19 LI HSIN ROAD
SCIENCE BASED IND. PARK
HSIN CHU, TAIWAN, R.O.C.
PHONE: 886-3-579-5888
FAX: 886-3-566-5888

SINGAPORE

10 ANSON ROAD #23-13
INTERNATIONAL PLAZA
SINGAPORE 079903
PHONE: 65-3231801
FAX: 65-3237013

JAPAN

ONZE 1852 BUILDING 6F
2-14-6 SHINTOMI, CHUO-KU
TOKYO 104-0041
PHONE: 03-3537-1400
FAX: 03-3537-1402

UK & IRELAND

SUITE 50, GROVEWOOD
BUSINESS CENTRE
STRATHCLYDE BUSINESS
PARK
BELLSHILL, LANARKSHIRE,
SCOTLAND, ML4 3NQ
PHONE: 44-1698-748515
FAX: 44-1698-748516

**GERMANY
(CONTINENTAL
EUROPE & ISRAEL)**

BENZSTRASSE 32
71083 HERRENBERG
GERMANY
PHONE: +49 7032 2796-0
FAX: +49 7032 2796 22

U.S. SALES OFFICES**NORTHWESTERN**

3910 NORTH FIRST STREET
SAN JOSE, CA 95134
PHONE: 408-433-6000
FAX: 408-433-0952

SOUTHWESTERN

302 N. EL CAMINO REAL #200
SAN CLEMENTE, CA 92672
PHONE: 949-361-7873
FAX: 949-361-7807

**CENTRAL,
NORTHEASTERN &
SOUTHEASTERN**

604 FIELDWOOD CIRCLE
RICHARDSON, TX 75081
PHONE: 214-826-6176
FAX: 214-828-9754

The information in this document is subject to change without notice.

MOSEL VITELIC makes no commitment to update or keep current the information contained in this document. No part of this document may be copied or reproduced in any form or by any means without the prior written consent of MOSEL-VITELIC.

MOSEL VITELIC subjects its products to normal quality control sampling techniques which are intended to provide an assurance of high quality products suitable for usual commercial applications. MOSEL VITELIC does not do testing appropriate to provide 100% product quality assurance and does not assume any liability for consequential or incidental arising from any use of its products. If such products are to be used in applications in which personal injury might occur from failure, purchaser must do its own quality assurance testing appropriate to such applications.