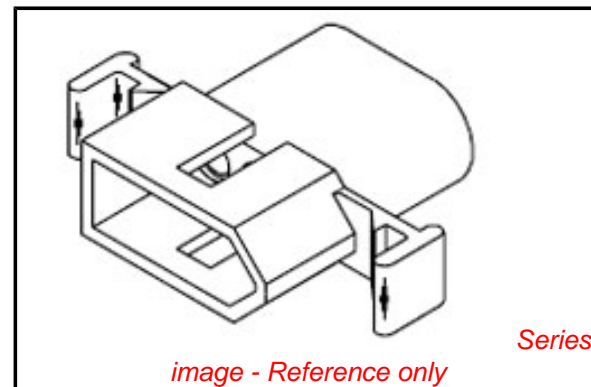


PLEASE CHECK WWW.MOLEX.COM FOR LATEST PART INFORMATION

Part Number: [0003092031](#)
Status: **Active**
Overview: [standard_093](#)
Description: 2.36mm (.093") Diameter Standard .093 Pin and Socket Plug Housing, 3 Circuits, Single Row

Documents:

3D Model	Product Specification PS-1396-002 (PDF)
Packaging Specification (PDF)	Product Specification PS-42477 (PDF)
Drawing (PDF)	Product Specification PS-43660-9999 (PDF)
Product Specification PS-02-09 (PDF)	RoHS Certificate of Compliance (PDF)



Agency Certification

CSA	LR19980
UL	E29179

General

Product Family	Crimp Housings
Series	1396
Comments	17.0A max. can be achieved when housing is used with 42477 or 42478 terminals
MolexKits	Yes
Overview	standard_093
Product Name	Standard .093"

Physical

Circuits (maximum)	3
Flammability	94V-2
Gender	Dual
Glow-Wire Compliant	No
Lock to Mating Part	Yes
Number of Rows	1
Packaging Type	Bag
Panel Mount	Yes
Pitch - Mating Interface (in)	0.198 In
Pitch - Mating Interface (mm)	5.03 mm
Stackable	No
Temperature Range - Operating	-40°C to +105°C

Electrical

Current - Maximum per Contact	14A
-------------------------------	-----

Material Info

Old Part Number	1396-P
-----------------	--------

Reference - Drawing Numbers

Packaging Specification	PK-1396-001
Product Specification	PS-02-09, PS-1396-002, PS-42477, PS-43660-9999
Sales Drawing	SD-1396-*, SD-1396-002

EU RoHS

ELV and RoHS Compliant
REACH SVHC
Contains SVHC: No
Halogen-Free Status

China RoHS



Need more information on product environmental compliance?

Email productcompliance@molex.com
 For a multiple part number RoHS Certificate of Compliance, [click here](#)

Please visit the [Contact Us](#) section for any non-product compliance questions.

Search Parts in this Series

[1396Series](#)

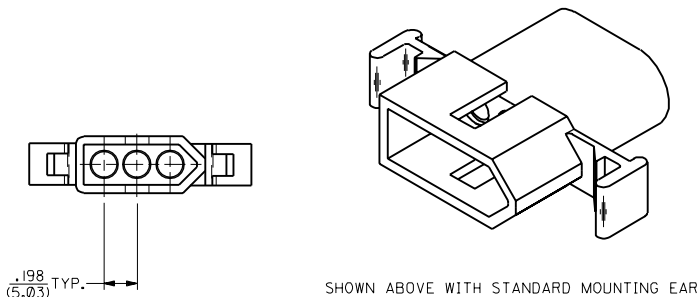
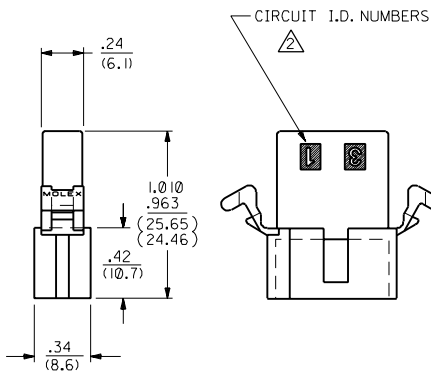
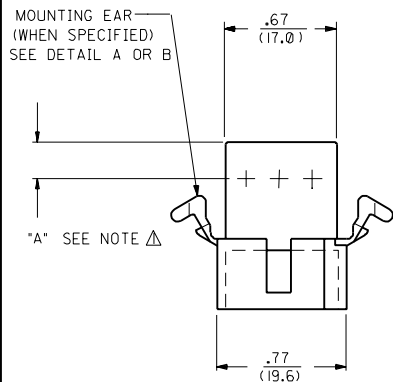
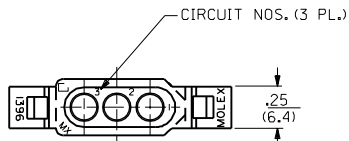
Mates With

[1396r](#)

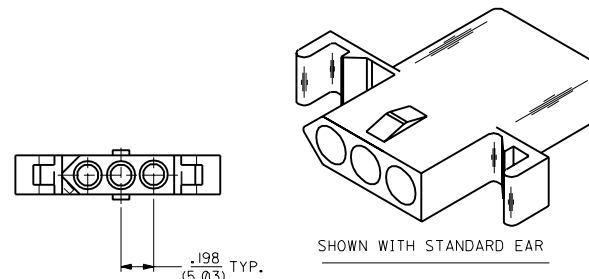
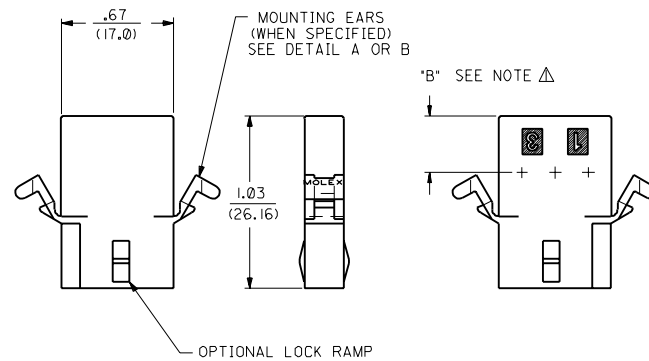
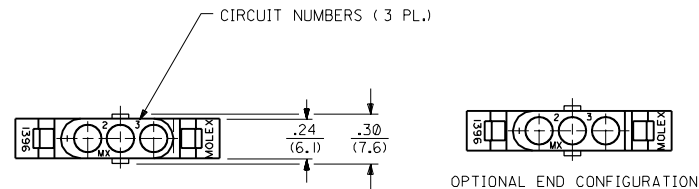
Use With

[1189](#) Crimp Terminals, [1190](#) Crimp Terminals, [1376](#) Male PC Tail Terminals, [1377](#) Female PC Tail Terminals, [1380](#) Male Crimp Terminals, [1381](#) Female Crimp Terminals, [1433](#) Crimp Terminals, [1434](#) Male Crimp Terminals, [1973](#) , [2151](#) , [2273](#) , [2870](#) , [2871](#) , [4272](#) , [4550](#) , [6271](#) , [6310](#) , [42477](#) , [42478](#)

PLUG



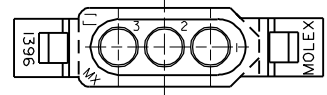
RECEPTACLE



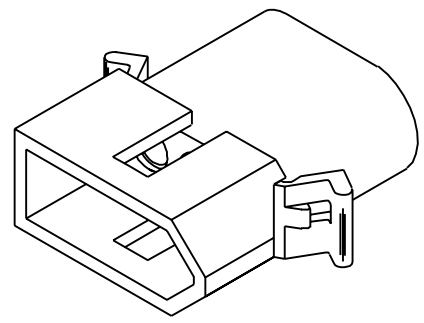
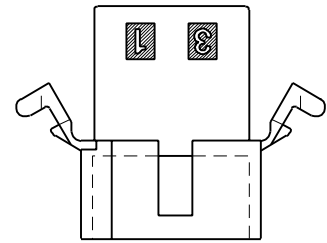
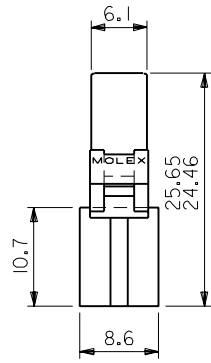
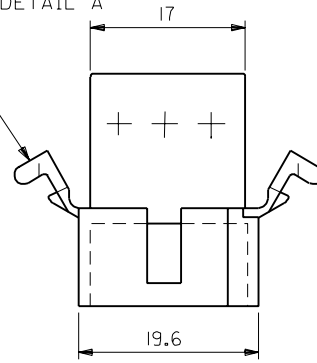
NOTES:
 Δ DIMENSION FROM THE BACK OF HOUSING TO THE END OF THE BRUSH ON THE WIRE INSERTED INTO THE HOUSING
 DIM "A" = .256/6.50 FOR 42477 & 42478 TERMINALS
 .216/5.49 FOR ALL OTHER .093 TERMINALS
 DIM "B" = .377/9.58 FOR 42477 & 42478 TERMINALS
 .337/8.56 FOR ALL OTHER .093 TERMINALS

Y3	REVISED PER UCR2000-0583 3/1/00 DDS
Y2	REMOVE -R3, -R5 VER. PER ECN #16 1479 6-10-96 RW
Y1	X-REMOVE 1396-R4 ECR U3 1583 GC 10/26/93 RW
Y	ADD CKT. I.D. #'S PER ECR U3 0683 GC 5/4/93 RW
X	REV MAT'L SPECS. ECR U2-1491 10-08-92 A.GUZIK
W1	ADD -D VERSIONS. ECR U1 1106 GC 7/25/91 RW
W	REVISE ON CAD ECR #UB 1381 JJS 4-24-88 RW
2	Y2
1	Y3

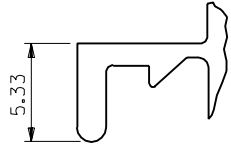
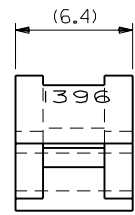
DIMENSIONS SHOWN METRIC (INCH UNLESS OTHERWISE SPECIFIED TOLERANCES ANGULAR ± 1/2°)		▽ = 0	▼ = 0	REVISE ONLY ON CAD SYSTEM								
<table border="1"> <thead> <tr> <th>INCH</th> <th>METRIC</th> </tr> </thead> <tbody> <tr> <td>3 PLACE ± .010</td> <td>---</td> </tr> <tr> <td>2 PLACE ± .014</td> <td>± 0.25</td> </tr> <tr> <td>1 PLACE ---</td> <td>± 0.36</td> </tr> </tbody> </table>		INCH	METRIC	3 PLACE ± .010	---	2 PLACE ± .014	± 0.25	1 PLACE ---	± 0.36	TITLE .093/(2.36) HOUSING, PLUG & RECEPTACLE 3 CIRCUIT, 198/(5.03) C		
INCH	METRIC											
3 PLACE ± .010	---											
2 PLACE ± .014	± 0.25											
1 PLACE ---	± 0.36											
DRAFT WHERE APPLICABLE MUST REMAIN WITHIN DIMENSIONS PART NO. L15LEJLL 60532 MFG. SH. REV. LTR. REVISIONS 2 Y2 1 Y3		MOLEX INCORPORATED U.S.A. SHEET NO. 1 OF 2 DATE 4 / 3 / 88 SD-1396-•										
DRWG. BY JJS APP'D. RAS SCALE 2 : 1		FILE NAME S1396,3X1.DWG THIS DRAWING CONTAINS INFORMATION THAT IS PROPRIETARY TO MOLEX INC. AND SHOULD NOT BE USED WITHOUT WRITTEN PERMISSION. CP C										



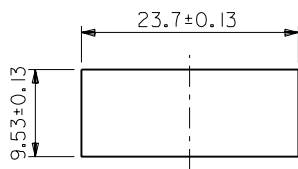
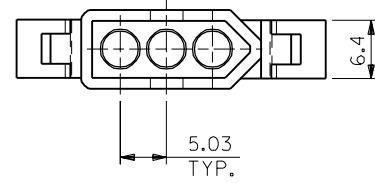
MT'G EARS (表参照)
参照 DETAIL A



PLUG



DETAIL A
(SCALE 4:1)



パネル取付寸法
(パネル厚 2.29最大)

I396PI	03-09-2032	無	WITHOUT
I396P	03-09-2031	有	WITH
ENG. NO.	EDP NO.		MT'G EARS

DO NOT SCALE DRAWING

EC NO. DRWN: CHK: APPR:	EC NO. DRWN: CHK: APPR:	EC NO. DRWN: CHK: APPR:	EC NO. DRWN: CHK: APPR:
RELEASED			
EC NO. JC2001-0078			
DRWN: K.KOHAMA 00/08/28			
CHK: T.YAMAGUCHI			
APPR: M.FUKUSHIMA			

MATERIAL 材料	NYLON66 94V-2		
FINISH 仕上り	X		
WIRE RANGE 適用線径範囲	X		
INS. RANGE 適用径	X		

GENERAL TOLERANCES: (UNLESS SPECIFIED) 一般公差		SCALE 2 : 1	DESIGN UNITS <input checked="" type="checkbox"/> mm <input type="checkbox"/> INCH
10 UNDER 未満	+0.25 ±0.2	DRAWN BY & DATE K.KOHAMA 00/08/28	
10 OVER 以上	+0.3 ±0.25	CHECKED BY & DATE T.YAMAGUCHI 00/08/28	
30 OVER 以上	+0.35 ±0.3	APPROVED BY & DATE M.FUKUSHIMA 00/08/28	
ANGLE 角度	+3°	CAD FILENAME I396002.S01	MATERIAL NO. SEE NOTES

MODEL NO.	03-09-2***			DIMENSIONS:	SHT	REV
				THIRD ANGLE PROJECTION	<input type="checkbox"/> mm INCH	<input type="checkbox"/> INCH mm
TITLE:				3 CIRCUITS PLUG HSG (0.093 DIA TERMINAL)		
MOLEX INCORPORATED				REVISIONS		
DRAWING NO. SD-1396-002		SHEET NO. 1 OF 1		SIZE B		

THIS DRAWING CONTAINS INFORMATION THAT IS PROPRIETARY TO MOLEX INCORPORATED AND SHOULD NOT BE USED WITHOUT WRITTEN PERMISSION.