

PLEASE CHECK WWW.MOLEX.COM FOR LATEST PART INFORMATION

Part Number: [0503988000](#)
Status: **Active**
Description: 2.50mm (.098") Pitch Crimp Terminal, 50398, Reel

Documents:

[3D Model](#) [Product Specification PS-51111-001 \(PDF\)](#)
[Drawing \(PDF\)](#) [RoHS Certificate of Compliance \(PDF\)](#)

General

Product Family Crimp Terminals
 Series [50398](#)
 Crimp Quality Equipment Yes
 Product Name N/A

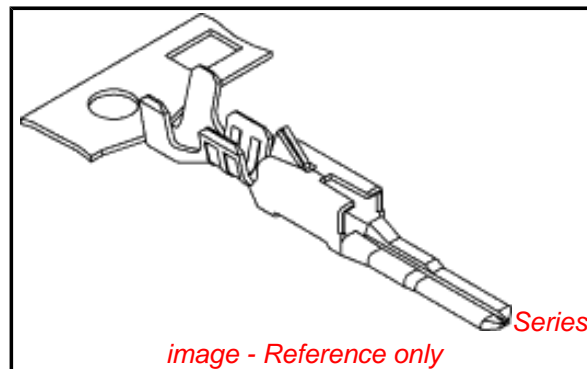
Physical

Gender Male
 Material - Metal Phosphor Bronze
 Material - Plating Mating Tin
 Material - Plating Termination Tin
 Packaging Type Reel
 Plating min: Mating (µin) 36
 Plating min: Mating (µm) 0.90
 Plating min: Termination (µin) 36
 Plating min: Termination (µm) 0.90
 Termination Interface: Style Crimp or Compression
 Wire Insulation Diameter 1.15-1.80mm (.045-.071")
 Wire Size AWG 22, 24, 26, 28
 Wire Size mm² N/A

Material Info

Reference - Drawing Numbers

Product Specification PS-51111-001, RPS-500592-001, RPS-500592-002,
 RPS-500592-003, RPS-51111-004, RPS-51111-007,
 RPS-51112-003
 Sales Drawing SD-50398-001



EU RoHS

**ELV and RoHS
 Compliant**
REACH SVHC
Contains SVHC: No
**Halogen-Free
 Status**

China RoHS



**Need more information on product
 environmental compliance?**

Email productcompliance@molex.com
 For a multiple part number RoHS Certificate of
 Compliance, [click here](#)

Please visit the [Contact Us](#) section for any
 non-product compliance questions.

Search Parts in this Series

[50398Series](#)

Mates With

[50397](#)

Use With

[51112](#)

Application Tooling | [FAQ](#)

*Tooling specifications and manuals are
 found by selecting the products below.
 Crimp Height Specifications are then
 contained in the Application Tooling
 Specification document.*

Japan

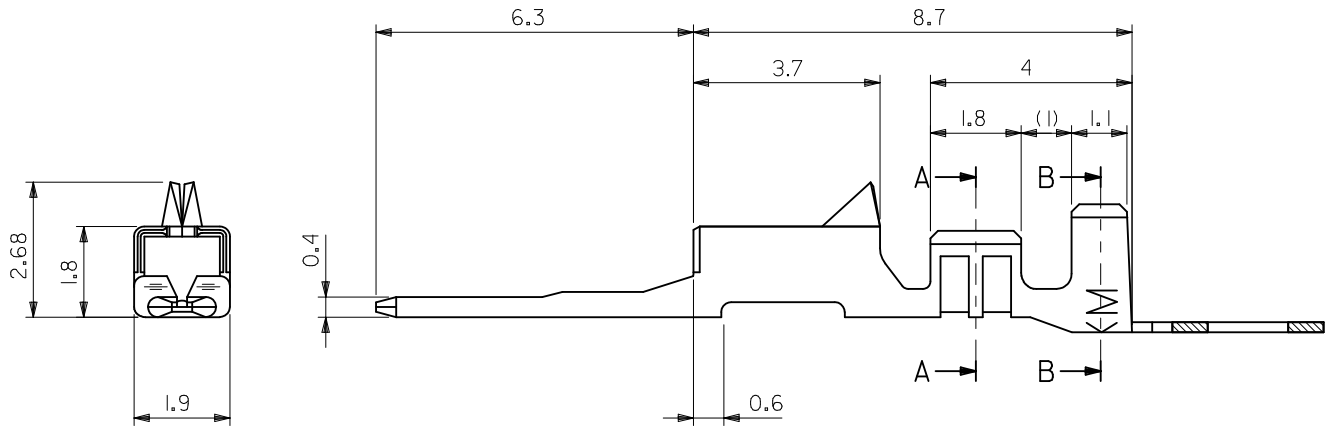
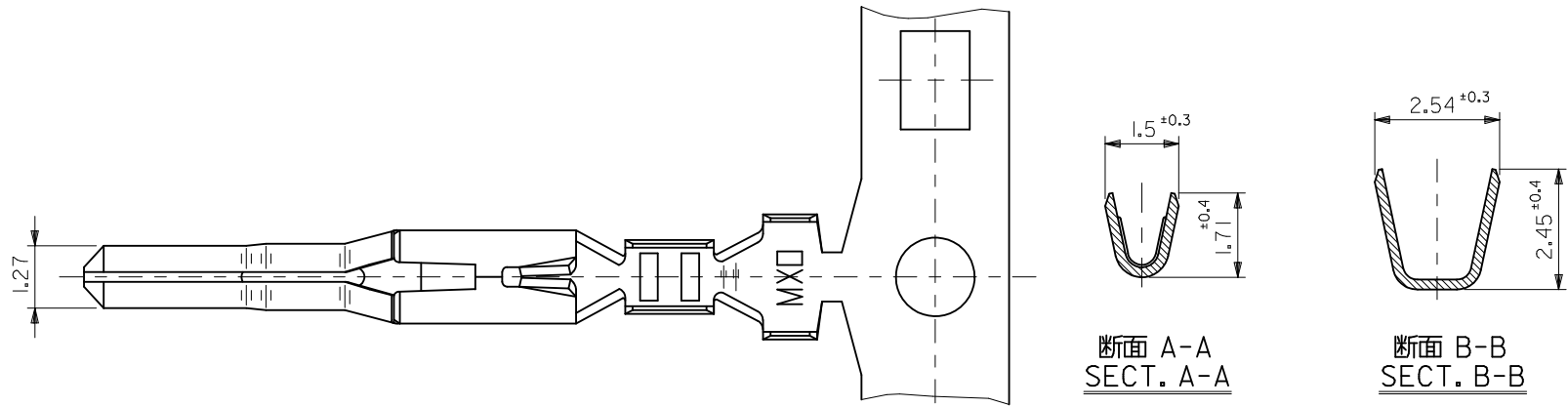
Description	Product #
Applicator for M211A Bench Press, 22-28 AWG, for 50397 and 50398 Crimp Terminal	0573163000

Side-Feed Applicator 0573163200
For Full-Auto
Machine
Hand Extraction Tool 0573166000
Extraction Tool 0573166100

This document was generated on 04/15/2010

PLEASE CHECK WWW.MOLEX.COM FOR LATEST PART INFORMATION

10 9 8 7 6 5 4 3 2 1



注記
NOTES

- 適合ハウジング : 51112シリーズ
APPLICABLE HOUSING : 51112 SERIES
- 材料 MATERIAL
りん青銅 (t = 0.2)
PHOSPHOR BRONZE
錫メッキ 0.9 μm 以上 リフロー処理 (前めっき)
TIN 0.9 μm MIN. REFLOW TREATMENT (PRE-PLATED)
- 適用電線サイズ AWG #22-28
被覆外径 : 1.15~1.8mm
- ELV及びRoHS適合品
ELV AND RoHS COMPLIANT

PLASTIC BAG	50398-8100	バラ状 LOOSE
REEL	50398-8000	連鎖状 CHAIN
PACKAGING SPEC.	オーダー番号 ORDER NO.	形態 FORM
CONNECTOR SERIES NO. 50398-8*00		

RELEASED EC NO: J2010-1818 DRWN: NYOSHIKAWA 2010/03/10 CHKD: KASAKAWA 2010/03/10 APPR: NUKITA 2010/03/11 REV: 0	DESCRIPTION GENERAL TOLERANCES (UNLESS SPECIFIED) 10 UNDER ±0.2 10 OVER 30 UNDER ±0.25 30 OVER ±0.3 ANGULAR ±3 ° DRAFT WHERE APPLICABLE MUST REMAIN WITHIN DIMENSIONS	DIMENSION STYLE MM ONLY	SCALE 10:1	DESIGN UNITS METRIC	THIRD ANGLE PROJECTION		
		DRAWN BY NYOSHIKAWA	DATE 2010/03/10	TITLE 2.5 WIRE TO WIRE CONN. CRIMP PIN			
		CHECKED BY KASAKAWA	DATE 2010/03/10	MOLEX INCORPORATED			
		APPROVED BY NUKITA	DATE 2010/03/10	MATERIAL NO. SEE TABLE	DOCUMENT NO. SD-50398-001	SHEET NO. 1 OF 1	

THIS DRAWING CONTAINS INFORMATION THAT IS PROPRIETARY TO MOLEX INCORPORATED AND SHOULD NOT BE USED WITHOUT WRITTEN PERMISSION