

## 24-Bit, 96 kHz Stereo A/D Converter

### Features

- 24-bit conversion
- Supports 96 kHz sample rates
- 98 dB dynamic range at 3 V supply
- -88 dBFS THD+N
- 1.8 to 3.3 volt supply
- 16-Pin TSSOP package
- Low power consumption
  - 11 mW at 1.8 V
- Internal high pass filter to remove DC offsets
- Linear phase digital anti-alias filter

### Description

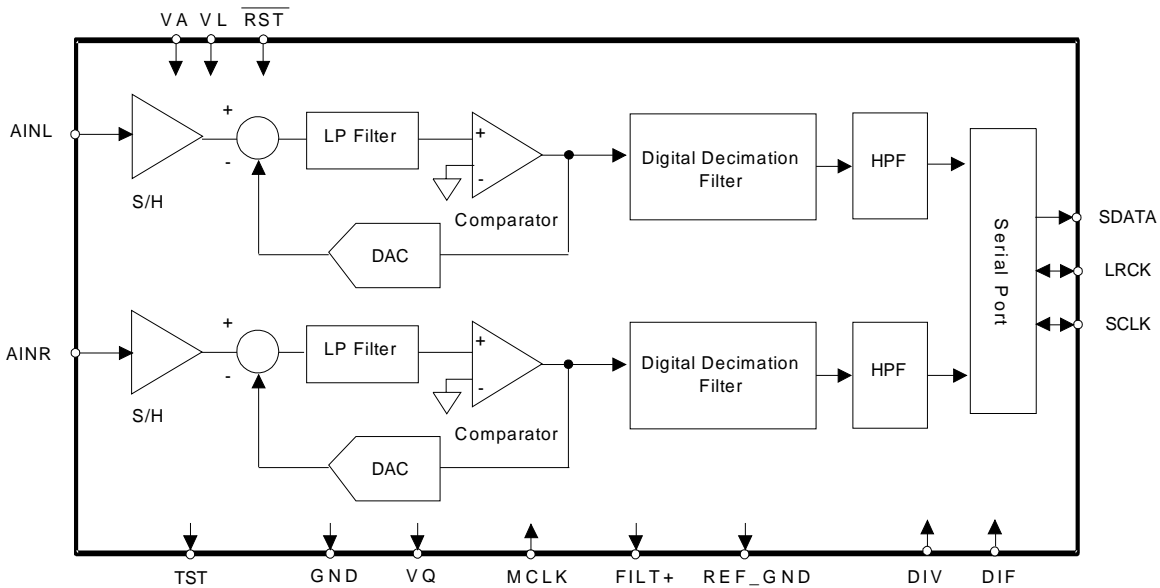
The CS5333 is a highly integrated, 24-bit, 96 kHz audio ADC providing stereo analog-to-digital converters using delta-sigma conversion techniques. This device includes line level inputs in a 16-pin TSSOP package.

The CS5333 is based on delta-sigma modulation allowing infinite adjustment of the sample rate between 2 kHz and 100 kHz simply by changing the master clock frequency.

The CS5333 operates from a +1.8 V to +3.3 V supply. These features are ideal for set-top boxes, A/V receivers, DVD-karaoke players or any system which requires optimal performance in a minimum of space.

### ORDERING INFORMATION

CS5333-KZ	-10 to 70° C	16-pin TSSOP
CDB5333		Evaluation Board



### Advance Product Information

This document contains information for a new product. Cirrus Logic reserves the right to modify this product without notice.

---

**TABLE OF CONTENTS**

<b>1. CHARACTERISTICS/SPECIFICATIONS</b> .....	<b>4</b>
ANALOG CHARACTERISTICS .....	4
ANALOG CHARACTERISTICS .....	5
POWER AND THERMAL CHARACTERISTICS.....	6
DIGITAL CHARACTERISTICS .....	7
ABSOLUTE MAXIMUM RATINGS .....	7
RECOMMENDED OPERATING CONDITIONS .....	7
SWITCHING CHARACTERISTICS .....	8
<b>2. TYPICAL CONNECTION DIAGRAM</b> .....	<b>10</b>
<b>3. PIN DESCRIPTION</b> .....	<b>11</b>
<b>4. APPLICATIONS</b> .....	<b>13</b>
4.1 Grounding and Power Supply Decoupling .....	13
4.2 Oversampling Modes .....	13
4.3 Recommended Power-up Sequence .....	13
4.4 Master/Slave Mode .....	13
<b>5. PARAMETER DEFINITIONS</b> .....	<b>17</b>
<b>6. REFERENCES</b> .....	<b>17</b>
<b>7. PACKAGE DIMENSIONS</b> .....	<b>18</b>

---

**Contacting Cirrus Logic Support**

For a complete listing of Direct Sales, Distributor, and Sales Representative contacts, visit the Cirrus Logic web site at: <http://www.cirrus.com/corporate/contacts/sales.cfm>

---

Preliminary product information describes products which are in production, but for which full characterization data is not yet available. Advance product information describes products which are in development and subject to development changes. Cirrus Logic, Inc. has made best efforts to ensure that the information contained in this document is accurate and reliable. However, the information is subject to change without notice and is provided "AS IS" without warranty of any kind (express or implied). Customers are advised to obtain the latest version of relevant information to verify, before placing orders, that information being relied on is current and complete. All products are sold subject to the terms and conditions of sale supplied at the time of order acknowledgment, including those pertaining to warranty, patent infringement, and limitation of liability. No responsibility is assumed by Cirrus Logic, Inc. for the use of this information, including use of this information as the basis for manufacture or sale of any items, nor for infringements of patents or other rights of third parties. This document is the property of Cirrus Logic, Inc. and by furnishing this information, Cirrus Logic, Inc. grants no license, express or implied under any patents, mask work rights, copyrights, trademarks, trade secrets or other intellectual property rights of Cirrus Logic, Inc. Cirrus Logic, Inc., copyright owner of the information contained herein, gives consent for copies to be made of the information only for use within your organization with respect to Cirrus Logic integrated circuits or other parts of Cirrus Logic, Inc. The same consent is given for similar information contained on any Cirrus Logic website or disk. This consent does not extend to other copying such as copying for general distribution, advertising or promotional purposes, or for creating any work for resale. The names of products of Cirrus Logic, Inc. or other vendors and suppliers appearing in this document may be trademarks or service marks of their respective owners which may be registered in some jurisdictions. A list of Cirrus Logic, Inc. trademarks and service marks can be found at <http://www.cirrus.com>.

---

**LIST OF FIGURES**

Figure 1. SCLK to LRCK and SDATA, Slave Mode .....	9
Figure 2. SCLK to LRCK and SDATA, Master Mode .....	9
Figure 3. Typical Connection Diagram.....	10
Figure 4. Base-Rate Stopband Rejection.....	14
Figure 5. Base-Rate Transition Band.....	14
Figure 6. Base-Rate Transition Band (Detail) .....	14
Figure 7. Base-Rate Passband Ripple.....	14
Figure 8. High-Rate Stopband Rejection .....	14
Figure 9. High-Rate Transition Band.....	14
Figure 10. High-Rate Transition Band (Detail) .....	15
Figure 11. High-Rate Passband Ripple.....	15
Figure 12. Line Input Test Circuit .....	15
Figure 13. CS5333 - Serial Audio Format 0 .....	16
Figure 14. CS5333 - Serial Audio Format 1 .....	16

**LIST OF TABLES**

Table 1. Common Clock Frequencies.....	11
Table 2. Digital Interface Format - DIF .....	12

## 1. CHARACTERISTICS/SPECIFICATIONS

### ANALOG CHARACTERISTICS

( $T_A = 25^\circ\text{C}$ ; GND = 0 V Logic "1" =  $V_L = 1.8\text{ V}$ ; Logic "0" = GND = 0 V; MCLK = 12.288 MHz;  $F_s$  for Base-rate Mode = 48 kHz, SCLK = 3.072 MHz, Measurement Bandwidth 10 Hz to 20 kHz, unless otherwise specified;  $F_s$  for High-Rate Mode = 96 kHz, SCLK = 6.144 MHz, Measurement Bandwidth 10 Hz to 20 kHz, unless otherwise specified.)

Parameter	Symbol	Base-rate Mode			High-rate Mode			Unit	
		Min	Typ	Max	Min	Typ	Max		
<b>Analog Input Characteristics for <math>V_A = 1.8\text{ V}</math></b>									
Dynamic Range	A-weighted	TBD	91	-	TBD	94	-	dB	
	unweighted	TBD	88	-	TBD	91	-	dB	
Total Harmonic Distortion + Noise	(Note 1)	THD+N	-	-88	TBD	-	-88	TBD	dB
	-1 dB		-	-68	-	-	-68	-	dB
	-20 dB		-	-28	-	-	-31	-	dB
	-60 dB		-	-	-	-	-	-	dB
<b>Analog Input Characteristics for <math>V_A = 3.0\text{ V}</math></b>									
Dynamic Range	A-weighted	TBD	96	-	TBD	98	-	dB	
	unweighted	TBD	93	-	TBD	95	-	dB	
Total Harmonic Distortion + Noise	(Note 1)	THD+N	-	-88	TBD	-	-85	TBD	dB
	-1 dB		-	-68	-	-	-65	-	dB
	-20 dB		-	-33	-	-	-35	-	dB
	-60 dB		-	-	-	-	-	-	dB
<b>Analog Input Characteristics for <math>V_A = 1.8\text{ or }3.0\text{ V}</math></b>									
Interchannel Isolation	1 kHz	-	90	-	-	90	-	dB	
Interchannel Gain Mismatch		-	0.1	-	-	0.1	-	dB	
Offset Error	with High Pass Filter	-	-	0	-	-	0	LSB	
Full Scale Input Voltage		TBD	$V_A \div 3.6$	TBD	TBD	$V_A \div 3.6$	TBD	V <sub>rms</sub>	
Voltage Common Mode			$V_A \div 2$			$V_A \div 2$		V	
Gain Drift		-	100	-	-	100	-	ppm/ $^\circ\text{C}$	
Input Resistance		10	-	-	10	-	-	k $\Omega$	
Input Capacitance		-	-	15	-	-	15	pF	

Notes: 1. Referenced to typical full-scale differential input voltage.

**ANALOG CHARACTERISTICS** (Continued)

Parameter	Symbol	Base-rate Mode			High-rate Mode			Unit
		Min	Typ	Max	Min	Typ	Max	
<b><i>A/D Decimation Filter Characteristics (Note 2)</i></b>								
Passband (Note 3)		0	-	23.5	0	-	47.5	kHz
Passband Ripple		-0.08	-	+0.17	-0.09	-	0	dB
Stopband (Note 3)		27.5	-	-	64.1	-	-	kHz
Stopband Attenuation (Note 4)		-60.3	-	-	-48.4	-	-	dB
Group Delay (Fs = Output Sample Rate) (Note 5)	$t_{gd}$	-	10/Fs	-	-	2.7/Fs	-	s
Group Delay Variation vs. Frequency	$\Delta t_{gd}$	-	-	0.03	-	-	0.007	$\mu$ s
<b><i>High Pass Filter Characteristics</i></b>								
Frequency Response	-3 dB (Note 3)	-	3.7	-	-	3.7	-	Hz
	-0.1 dB	-	24.2	-	-	24.2	-	Hz
Phase Deviation @ 20 Hz (Note 3)		-	10	-	-	10	-	Degree
Passband Ripple (Note 2)		-	-	0.17	-	-	0.09	dB

- Notes:
- Filter response is guaranteed by design.
  - Filter characteristics scale with output sample rate. For output sample rates, Fs, other than 48 kHz, the 0.01 dB passband edge is 0.4535x Fs and the stopband edge is 0.625x Fs.
  - The analog modulator samples the input at 6.144 MHz for an Fs equal to 48 kHz. There is no rejection of input signals which are multiples of the sampling frequency ( $n \times 6.144 \text{ MHz} \pm 21.8 \text{ kHz}$  where  $n = 0, 1, 2, 3, \dots$ ).
  - Group delay for Fs = 48 kHz,  $t_{gd} = 15/48 \text{ kHz} = 312 \mu\text{s}$ .

**POWER AND THERMAL CHARACTERISTICS**

Parameters	Symbol	Base-rate Mode			High-Rate Mode			Units	
		Min	Typ	Max	Min	Typ	Max		
<b>Power Supplies</b>									
Power Supply Current- Normal Operation	VA=1.8 V	$I_A$	-	6.0	-	-	7.6	-	mA
	VL=1.8 V	$I_{D\_IO}$	-	150	-	-	300	-	$\mu$ A
Power Supply Current- Power Down Mode (Note 7)	VA=1.8 V	$I_A$	-	100	-	-	250	-	$\mu$ A
	VL=1.8 V	$I_{D\_IO}$	-	0	-	-	0	-	$\mu$ A
Power Supply Current- Normal Operation	VA=3.0 V	$I_A$	-	9	-	-	11.5	-	mA
	VL=3.0 V	$I_{D\_IO}$	-	260	-	-	520	-	$\mu$ A
Power Supply Current- Power Down Mode	VA=3.0 V	$I_A$	-	250	-	-	500	-	$\mu$ A
	VL=3.0 V	$I_{D\_IO}$	-	0	-	-	0	-	$\mu$ A
Total Power Dissipation- Normal Operation	All Supplies=1.8 V		-	11	TBD	-	14.5	TBD	mW
	All Supplies=3.0 V		-	28	TBD	-	36	TBD	mW
Package Thermal Resistance		$\theta_{JA}$	-	75	-	-	75	-	$^{\circ}$ C/Watt
Power Supply Rejection Ratio (Note 6)	(1 kHz)	PSRR	-	60	-	-	60	-	dB
	(60 Hz)		-	40	-	-	40	-	dB

Notes: 6. Valid with the recommended capacitor values on FILT+ and VQ as shown in Figure 3.

7. Power Down Mode is defined as reset active with MCLK being applied. To lower power consumption further, remove MCLK.

**DIGITAL CHARACTERISTICS** ( $T_A = 25^\circ\text{C}$ ;  $V_L = 1.7\text{ V} - 3.6\text{ V}$ ;  $\text{GND} = 0\text{ V}$ )

Parameters	Symbol	Min	Typ	Max	Units
High-Level Input Voltage	$V_{IH}$	$0.7 \cdot V_L$	-	-	V
Low-Level Input Voltage	$V_{IL}$	-	-	$0.3 \cdot V_L$	V
High-Level Output Voltage	$V_{OH}$	$0.7 \cdot V_L$	-	-	V
Low-Level Output Voltage	$V_{OL}$	-	-	$0.3 \cdot V_L$	V
Leakage Current	$I_{in}$	-	-	$\pm 10$	$\mu\text{A}$
Input Capacitance		-	8	-	pF

**ABSOLUTE MAXIMUM RATINGS** ( $\text{GND} = 0\text{ V}$ ; all voltages with respect to ground.)

Parameters	Symbol	Min	Max	Units
DC Power Supplies: Positive Analog	VA	-0.3	4.0	V
DC Power Supplies: Digital I/O	VL	-0.3	4.0	V
Input Current, Any Pin Except Supplies	$I_{in}$	-	$\pm 10$	mA
Digital Input Voltage	$V_{IND}$	-0.3	$V_L + 0.4$	V
Ambient Operating Temperature (power applied)	$T_A$	-55	125	$^\circ\text{C}$
Storage Temperature	$T_{stg}$	-65	150	$^\circ\text{C}$

WARNING: Operation at or beyond these limits may result in permanent damage to the device. Normal operation is not guaranteed at these extremes.

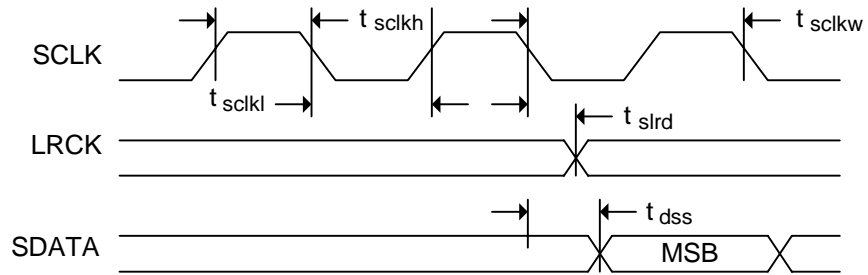
**RECOMMENDED OPERATING CONDITIONS** ( $\text{GND} = 0\text{ V}$ ; all voltages with respect to ground.)

Parameters	Symbol	Min	Typ	Max	Units
Ambient Temperature	$T_A$	-10	-	70	$^\circ\text{C}$
DC Power Supplies: Positive Analog	VA	1.7	-	3.6	V
DC Power Supplies: Digital I/O	VL	1.7	-	3.6	V

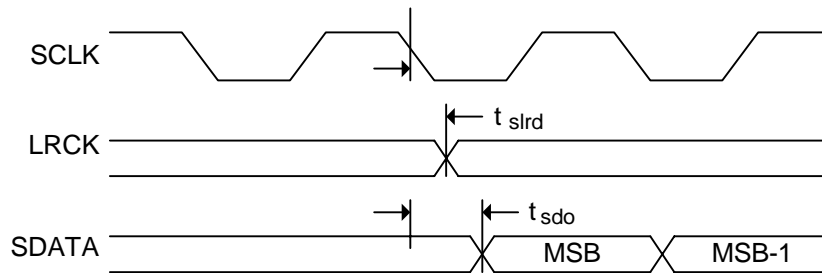
**SWITCHING CHARACTERISTICS** ( $T_A = -10$  to  $70^\circ\text{C}$ ;  $V_L = 1.7\text{ V} - 3.6\text{ V}$ ; Inputs: Logic 0 = GND, Logic 1 =  $V_L$ ,  $C_L = 20\text{ pF}$ )

Parameters		Symbol	Min	Typ	Max	Units
Input Sample Rate	Base Rate Mode	$F_s$	2	-	50	kHz
	High Rate Mode	$F_s$	50	-	100	kHz
MCLK Pulse Width High	MCLK/LRCK = 1024		8	-	-	ns
MCLK Pulse Width Low	MCLK/LRCK = 1024		8	-	-	ns
MCLK Pulse Width High	MCLK/LRCK = 768		10	-	-	ns
MCLK Pulse Width Low	MCLK/LRCK = 768		10	-	-	ns
MCLK Pulse Width High	MCLK/LRCK = 512		15	-	-	ns
MCLK Pulse Width Low	MCLK/LRCK = 512		15	-	-	ns
MCLK Pulse Width High	MCLK / LRCK = 384 or 192		21	-	-	ns
MCLK Pulse Width Low	MCLK / LRCK = 384 or 192		21	-	-	ns
MCLK Pulse Width High	MCLK / LRCK = 256 or 128		31	-	-	ns
MCLK Pulse Width Low	MCLK / LRCK = 256 or 128		31	-	-	ns
<b>Master Mode</b>						
SCLK Falling to LRCK Edge		$t_{sldr}$	-20	-	20	ns
SCLK Falling to SDATA Valid		$t_{sdo}$	0	-	20	ns
SCLK Duty Cycle			40	50	60	%
<b>Slave Mode</b>						
LRCK Duty Cycle			-	50	-	%
SCLK Pulse Width Low		$t_{sckl}$	20	-	-	ns
SCLK Pulse Width High		$t_{sckh}$	20	-	-	ns
SCLK Period	Base Rate Mode	$t_{sckw}$	$\frac{1}{(128)F_s}$	-	-	ns
	High Rate Mode	$t_{sckw}$	$\frac{1}{(64)F_s}$	-	-	ns
SCLK Falling to LRCK Edge		$t_{sldr}$	-20	-	20	ns
SCLK Falling to SDATA Valid	Base Rate Mode	$t_{dss}$	-	-	$\frac{1}{(512)F_s}$	ns
	High Rate Mode	$t_{dss}$	-	-	$\frac{1}{(256)F_s}$	ns



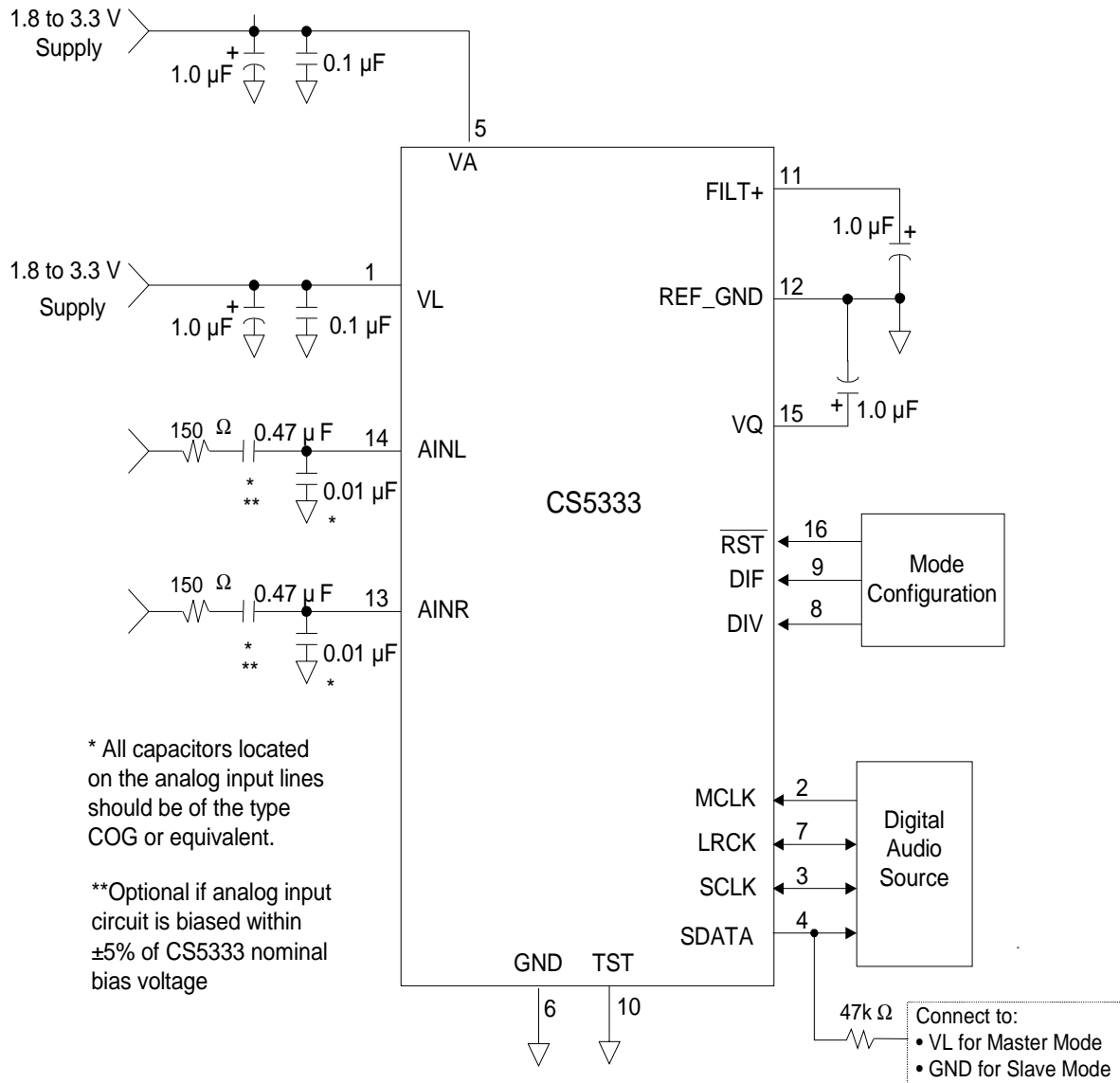


**Figure 1. SCLK to LRCK and SDATA, Slave Mode**



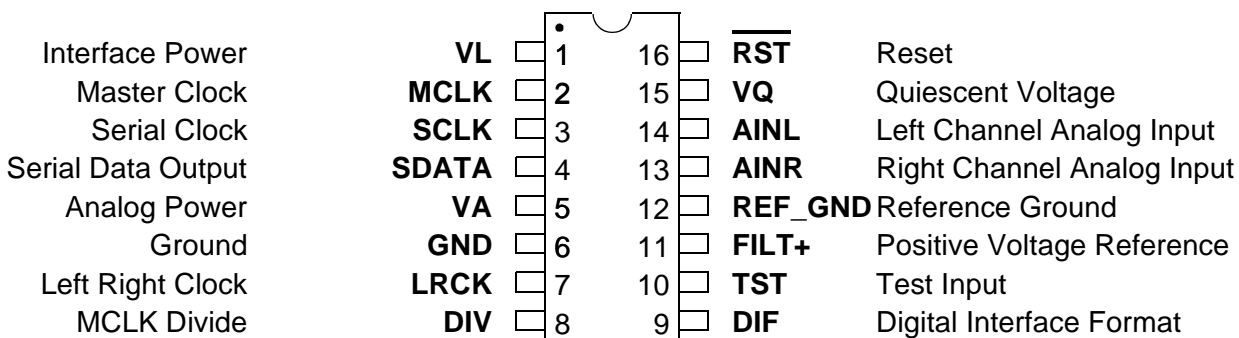
**Figure 2. SCLK to LRCK and SDATA, Master Mode**

**2. TYPICAL CONNECTION DIAGRAM**



**Figure 3. Typical Connection Diagram**

### 3. PIN DESCRIPTION



<b>Interface Power</b>	1	<b>VL (Input)</b> - Digital interface power supply. Typically 1.8 to 3.3 VDC.
<b>Master Clock</b>	2	<b>MCLK (Input)</b> - The master clock frequency must be either 256x, 384x, 512x, 768x or 1024x the input sample rate in Base Rate Mode (BRM) and 128x, 192x, 256x, 384x the input sample rate in High Rate Mode (HRM). Table 1 illustrates several standard audio sample rates and the required master clock frequencies.
<b>Serial Clock</b>	3	<b>SCLK (Input/Output)</b> - Clocks the individual bits of the serial data out of the SDOOUT pin. The required relationship between the Left/Right clock, serial clock and serial data is defined by the DIF pin.
<b>Serial Audio Data Out (M/S select)</b>	4	<b>SDATA (Output)</b> - This pin serves two functions. First: two's complement MSB-first serial data is output on this pin. The data is clocked out of SDOOUT via the serial clock and the channel is determined by the Left/Right clock. The required relationship between the Left/Right clock, serial clock and serial data is defined by the DIF pin. Second: Master/Slave mode selection is determined, at startup, by a 47 kOhm pullup/pulldown on this line. A pullup to VL selects Master mode and a pulldown to GND selects Slave mode.
<b>Analog Power</b>	5	<b>VA (Input)</b> - Analog power supply. Typically 1.8 to 3.3 VDC.
<b>Ground</b>	6	<b>GND (Input)</b> - Ground Reference.

Sample Rate (kHz)	MCLK (MHz)								
	HRM				BRM				
	128x	192x	256x*	384x*	256x	384x	512x	768x*	1024x*
32	4.0960	6.1440	8.1920	12.2880	8.1920	12.2880	16.3840	24.5760	32.7680
44.1	5.6448	8.4672	11.2896	16.9344	11.2896	16.9344	22.5792	32.7680	45.1584
48	6.1440	9.2160	12.2880	18.4320	12.2880	18.4320	24.5760	36.8640	49.1520
64	8.1920	12.2880	16.3840	24.5760	-	-	-	-	-
88.2	11.2896	16.9344	22.5792	33.8688	-	-	-	-	-
96	12.2880	18.4320	24.5760	36.8640	-	-	-	-	-

\* DIV= Hi

**Table 1. Common Clock Frequencies**

<b>Left/Right Clock</b>	7	<b>LRCK (Input/Output)</b> - The Left/Right clock determines which channel is currently being output on the serial audio data line SDOUT. The frequency of the Left/Right clock must be at the input sample rate. The required relationship between the Left/Right clock, serial clock and serial data is defined by the DIF pin.
<b>MCLK Divide Enable</b>	8	<b>DIV (Input)</b> - This pin serves different functions in Master and Slave modes. In Master mode: When high, the chip will enter High Rate Mode; When this pin is low, the chip will enter Base Rate Mode. In Slave mode: When high, MCLK is divided internally by 2; When low, MCLK is not changed.
<b>Digital Interface Format</b>	9	<b>DIF (Input)</b> - The required relationship between the Left/Right clock, serial clock and serial data is defined by the Digital Interface Format.

DIF	DESCRIPTION
0	I <sup>2</sup> S, up to 24-bit data
1	Left Justified, up to 24-bit data

**Table 2. Digital Interface Format - DIF**

<b>Test Input</b>	10	<b>TST (Input)</b> - Must be connected directly to ground.
<b>Positive Voltage Reference</b>	11	<b>FILT+</b> ( <i>Output</i> ) - Positive reference for internal sampling circuits. An external capacitor is required from FILT+ to ground, as shown in Figure 3. The recommended value will typically provide 60 dB of PSRR at 1 kHz and 40 dB of PSRR at 60 Hz. FILT+ is not intended to supply external current. FILT+ has a typical source impedance of 250 kΩ and any current drawn from this pin will alter device performance.
<b>Reference Ground</b>	12	<b>REF_GND (Input)</b> - Ground reference for the internal sampling circuits. Must be connected to ground.
<b>Analog Inputs</b>	13,14	<b>AINR, AINL (Input)</b> - The full scale analog input level is specified in the Analog Characteristics specification table.
<b>Quiescent Voltage</b>	15	<b>VQ (Output)</b> - Filter connection for internal A/D converter quiescent reference voltage. A capacitor must be connected from VQ to ground. VQ is not intended to supply external current. VQ has a typical source impedance of 250 kΩ and any current drawn from this pin will alter device performance.
<b>Reset</b>	16	<b>RST (Input)</b> - When low the device enters a low power mode and the part is in reset. When high, the part returns to normal operation within 1024 LRCK cycles.

## 4. APPLICATIONS

### 4.1 Grounding and Power Supply Decoupling

As with any high resolution converter, the CS5333 requires careful attention to power supply and grounding arrangements to optimize performance. Figure 3 show the recommended power arrangement with VA and VL connected to clean supplies. Decoupling capacitors should be located as close to the device package as possible.

### 4.2 Oversampling Modes

The CS5333 operates in one of two oversampling modes. Base Rate Mode supports input sample rates up to 50 kHz while High Rate Mode supports input sample rates up to 100 kHz. See Table 1 for more details.

### 4.3 Recommended Power-up Sequence

- 1) Hold  $\overline{RST}$  low until the power supply, master, and left/right clocks are stable. In this state, VQ will remain low.
- 2) Bring  $\overline{RST}$  high. The device will remain in a low power state with VQ low and will initiate

the power-up sequence. This power-up sequence takes approximately 1024 LRCK cycles to complete.

### 4.4 Master/Slave Mode

In Master, Base Rate Mode (Pull-up on SDATA, DIV=0), the CS5333 requires a 256x MCLK and provide a 64x SCLK. In Master, High Rate Mode (Pull-up on SDATA, DIV=1), the CS5333 requires a 128x MCLK and provide a 64x SCLK. The various clocking ratios required in Slave Mode (Pull-down on SDATA) are listed under the description of MCLK, on page 11.

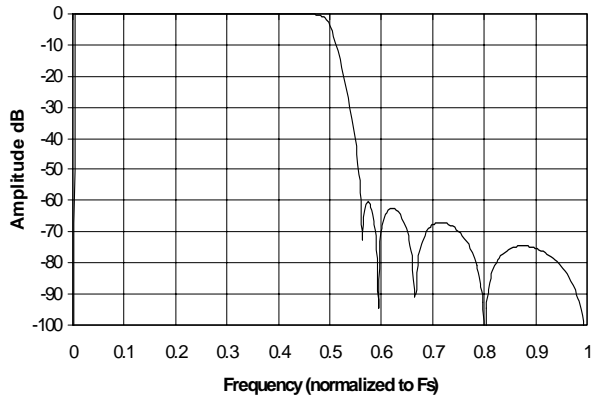
**Schematic & Layout Review Service**

Confirm Optimum  
Schematic & Layout  
Before Building Your Board.

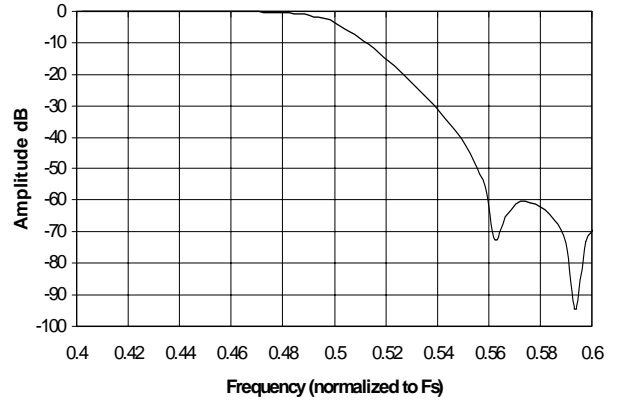
For Our Free Review Service  
Call Applications Engineering.



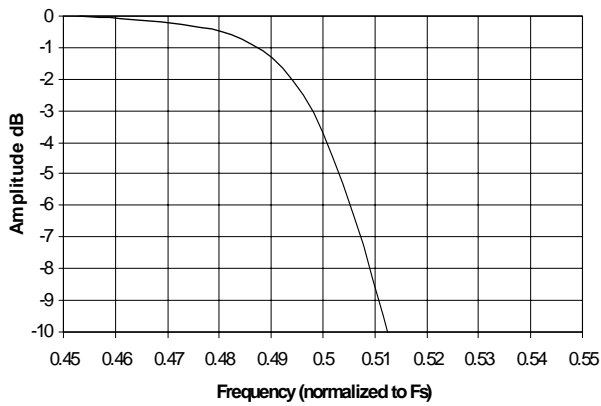
**Call : ( 5 1 2 ) 4 4 5 - 7 2 2 2**



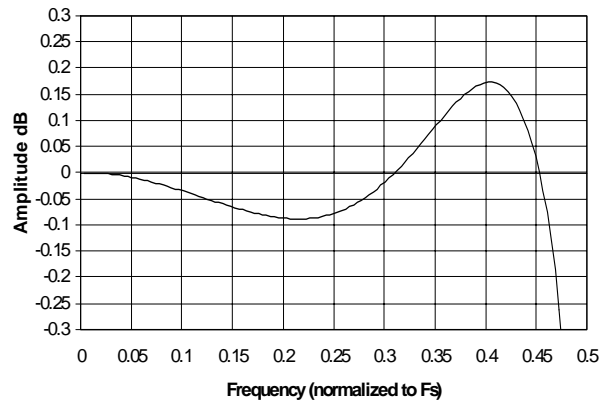
**Figure 4. Base-Rate Stopband Rejection**



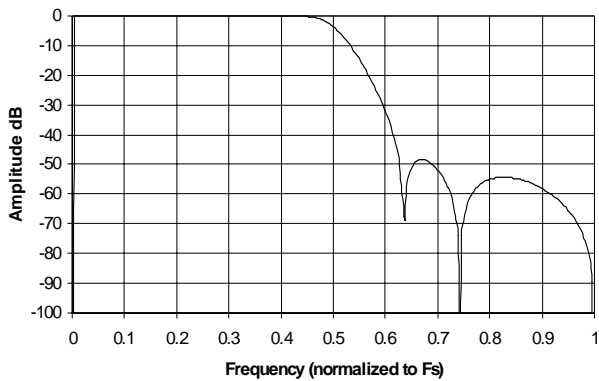
**Figure 5. Base-Rate Transition Band**



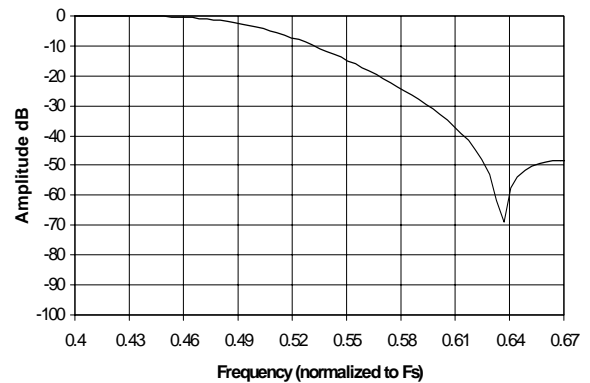
**Figure 6. Base-Rate Transition Band (Detail)**



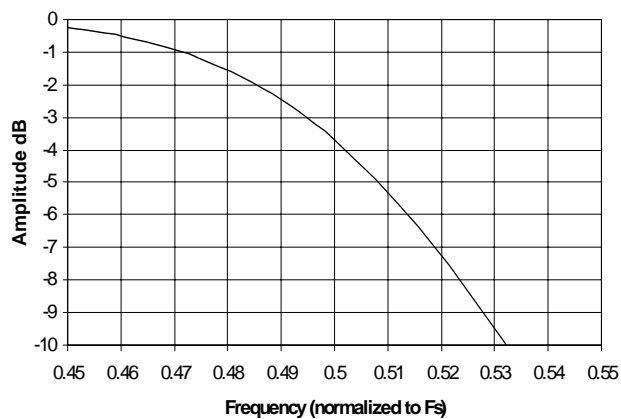
**Figure 7. Base-Rate Passband Ripple**



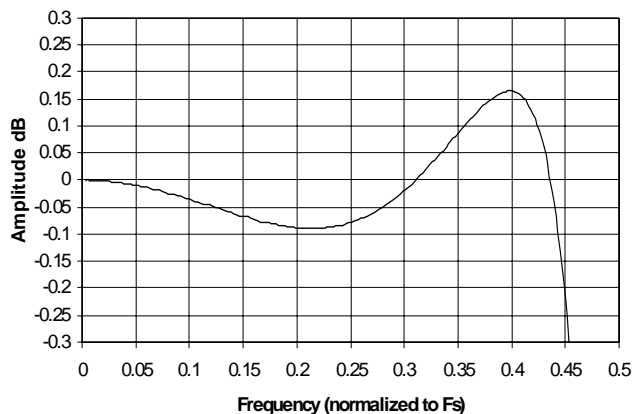
**Figure 8. High-Rate Stopband Rejection**



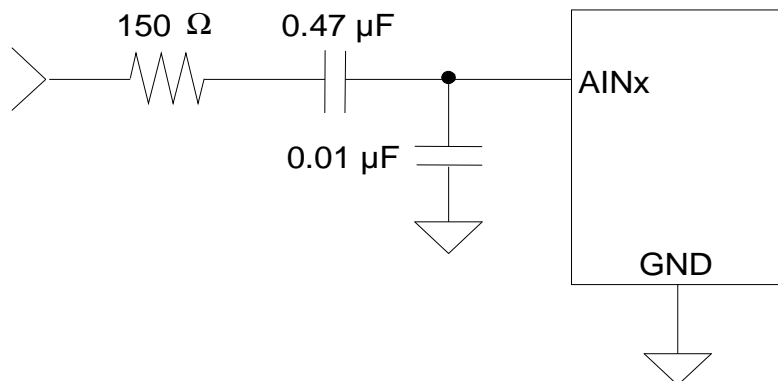
**Figure 9. High-Rate Transition Band**



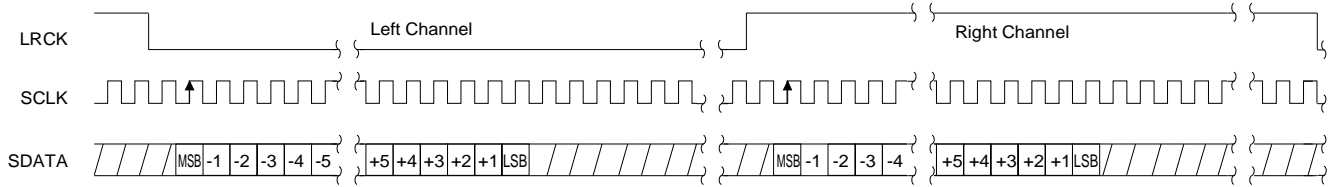
**Figure 10. High-Rate Transition Band (Detail)**



**Figure 11. High-Rate Passband Ripple**

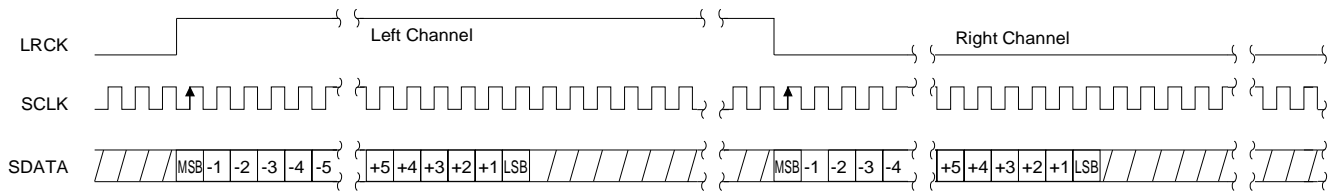


**Figure 12. Line Input Test Circuit**



I<sup>2</sup>S, up to 24-Bit Data. Data Valid on Rising Edge of SCLK

**Figure 13. CS5333 - Serial Audio Format 0**



Left Justified, up to 24-Bit Data. Data Valid on Rising Edge of SCLK.

**Figure 14. CS5333 - Serial Audio Format 1**



## 5. PARAMETER DEFINITIONS

### Total Harmonic Distortion + Noise (THD+N)

The ratio of the rms value of the signal to the rms sum of all other spectral components over the specified bandwidth (typically 10 Hz to 20 kHz), including distortion components. Expressed in decibels.

### Dynamic Range

The ratio of the full scale rms value of the signal to the rms sum of all other spectral components over the specified bandwidth. Dynamic range is a signal-to-noise measurement over the specified bandwidth made with a -60 dBFS signal. 60 dB is then added to the resulting measurement to refer the measurement to full scale. This technique ensures that the distortion components are below the noise level and do not effect the measurement. This measurement technique has been accepted by the Audio Engineering Society, AES17-1991, and the Electronic Industries Association of Japan, EIAJ CP-307.

### Interchannel Isolation

A measure of crosstalk between the left and right channels. Measured for each channel at the converter's output with all zeros to the input under test and a full-scale signal applied to the other channel. Units in decibels.

### Interchannel Gain Mismatch

The gain difference between left and right channels. Units in decibels.

### Gain Error

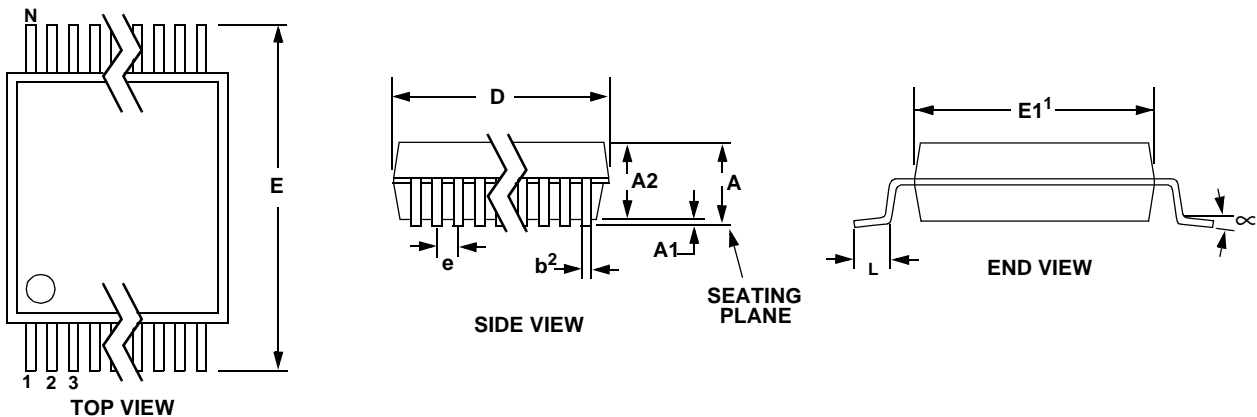
The deviation from the nominal full scale analog output for a full scale digital input.

### Gain Drift

The change in gain value with temperature. Units in ppm/°C.

## 6. REFERENCES

1. "How to Achieve Optimum Performance from Delta-Sigma A/D & D/A Converters" by Steven Harris. Paper presented at the 93rd Convention of the Audio Engineering Society, October 1992.
2. CDB5333 Evaluation Board Datasheet.

**7. PACKAGE DIMENSIONS**
**16L TSSOP (4.4 mm BODY) PACKAGE DRAWING**


DIM	INCHES			MILLIMETERS			NOTE
	MIN	NOM	MAX	MIN	NOM	MAX	
A	--	--	0.043	--	--	1.10	
A1	0.002	0.004	0.006	0.05	--	0.15	
A2	0.03346	0.0354	0.037	0.85	0.90	0.95	
b	0.00748	0.0096	0.012	0.19	0.245	0.30	2,3
D	0.193	0.1969	0.201	4.90	5.00	5.10	1
E	0.248	0.2519	0.256	6.30	6.40	6.50	
E1	0.169	0.1732	0.177	4.30	4.40	4.50	1
e	--	0.026 BSC	--	--	0.065 BSC	--	
L	0.020	0.024	0.028	0.50	0.60	0.70	
$\infty$	0°	4°	8°	0°	4°	8°	

**JEDEC #: MO-153**

*Controlling Dimension is Millimeters*

- Notes:
1. "D" and "E1" are reference datums and do not include mold flash or protrusions, but do include mold mismatch and are measured at the parting line, mold flash or protrusions shall not exceed 0.20 mm per side.
  2. Dimension "b" does not include dambar protrusion/intrusion. Allowable dambar protrusion shall be 0.13 mm total in excess of "b" dimension at maximum material condition. Dambar intrusion shall not reduce dimension "b" by more than 0.07 mm at least material condition.
  3. These dimensions apply to the flat section of the lead between 0.10 and 0.25 mm from lead tips

• **Notes** •

---

SMART  
Analog™