

## SPECIFICATION SHEET FOR FOR H<sub>2</sub> SENSOR TYPE H2/CA-1000

### PERFORMANCE CHARACTERISTICS

Nominal Range	0 – 1'000 ppm
Maximum Overload	2'000 ppm
Expected Operation Life	2 years in air
Output Signal	17 – 40 nA/ppm
Resolution	2 ppm
Temperature Range	0 °C to 45 °C <sup>1)</sup>
Pressure Range	Atmospheric ± 10%
Pressure Coefficient	No data
T <sub>90</sub> Response Time	< 50 sec
Relative Humidity Range	15 % to 90 % R.H. non-condensing
Typical Baseline Range (pure air, 20°C)	< 10 ppm
Maximum Zero Shift (+20°C to +40°C)	No data yet
Long Term Output Drift	< 2% signal loss/month
Recommended Load Resistor	10 Ohm
Bias Voltage	Not recommended
Repeatability	< 5% of signal
Output Linearity	Linear

<sup>1)</sup> CO cross sensitivity can be > 5% below 0 °C.

### CROSS-SENSITIVITY DATA

Interfering Gas	Concentration	Reading
CO	100 ppm	< 2 ppm <sup>2)</sup>

<sup>2)</sup> for temperature ≥ 20 °C

Performance data conditions:  
20 °C, 50% RH and 1013 mbar

### APPLICATIONS

H<sub>2</sub> Detection in H<sub>2</sub>/CO-Mixtures  
Medical Applications  
Safety and Environmental Control

Note:  
The sensor must be operated by using a suitable gas ket for gas flow exposure

The data contained in this document is for guidance only. Membrapor AG accepts no liability for any consequential losses, injury or damage resulting from the use of this document or the information contained within it. The data is given for guidance only. Customers should test under their own conditions, to ensure that the sensors are suitable for their own requirements.

REV.: 6/2004

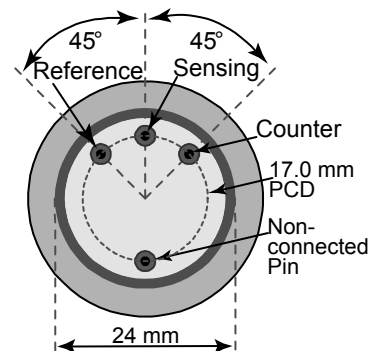
Phone: +41 43 311 72 00  
Fax : +41 43 311 72 01  
Email: info@membrapor.ch  
www.membrapor.ch

### PHYSICAL CHARACTERISTICS

Weight	~ 13 g
Position Sensitivity	None
Storage Life	Six months in container
Recommended Storage Temperature	5 °C – 20 °C
Warranty Period	12 months from date of dispatch

### Compact-Size Outline Dimensions

#### BOTTOM VIEW



#### SIDE VIEW

