

Series USB-B

Universal Serial Bus, Type B - 90° Receptacle (TH)

Specifications

Insulation Resistance:	1000MΩ min.
Current Rating:	1A max. per contact
Voltage Rating:	30V ACrms max.
Withstanding Voltage:	750V AC
Contact Resistance:	15mΩ max. (initial)
Operating Temperature Range:	-55°C to + 85°C

Part Number

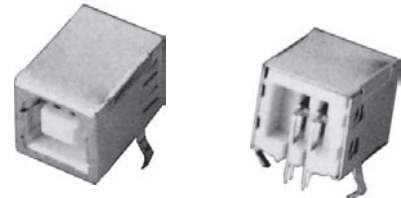
USB-B-001

*USB-B-001-30

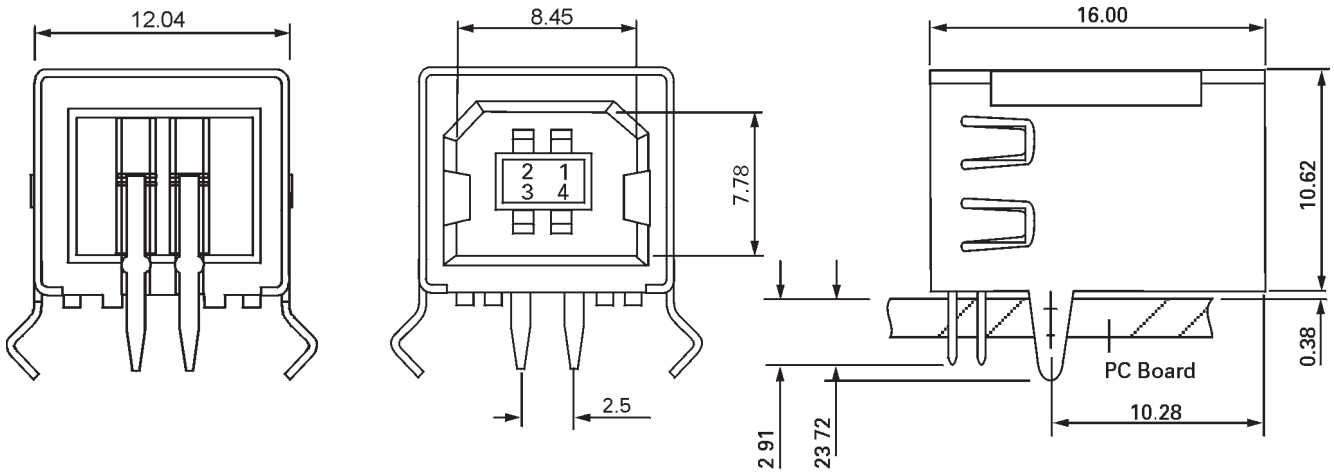
* see Materials and Finish

Materials and Finish

Housing:	PBT, glass filled (UL94V-0)
Shell:	Copper Alloy, CuNi plating
Contacts:	Copper Alloy
Contact Plating:	Solder Terminal - Sn over Ni
Mating Area	- USB-B-001 = Au Flash over Ni
	- USB-B-001-30 = 30μ" Au over Ni

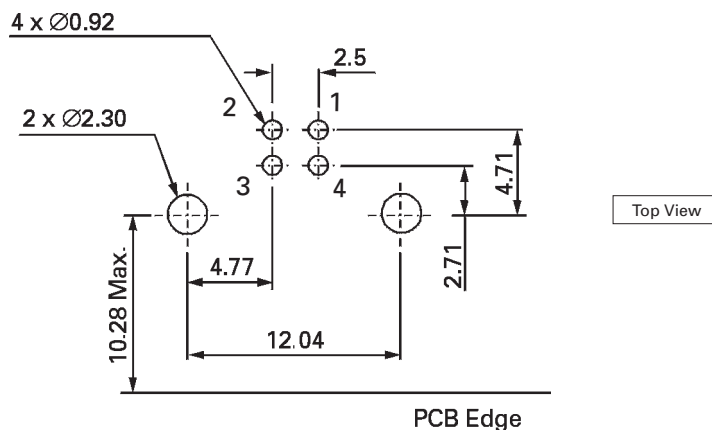


TH Type



USB (Universal Serial Bus and IEEE1394)

Recommended PCB Layout



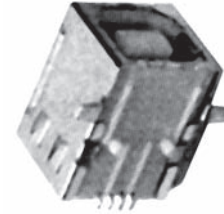
Series USB-B Universal Serial Bus, Type B - 180° Receptacle (SMT)

Specifications

Insulation Resistance:	1000M Ω min.
Current Rating:	1A max. per contact
Voltage Rating:	30V ACrms max.
Withstanding Voltage:	500V AC
Contact Resistance:	30m Ω max. (initial)
Operating Temperature Range:	-55°C to +85°C

Part Number

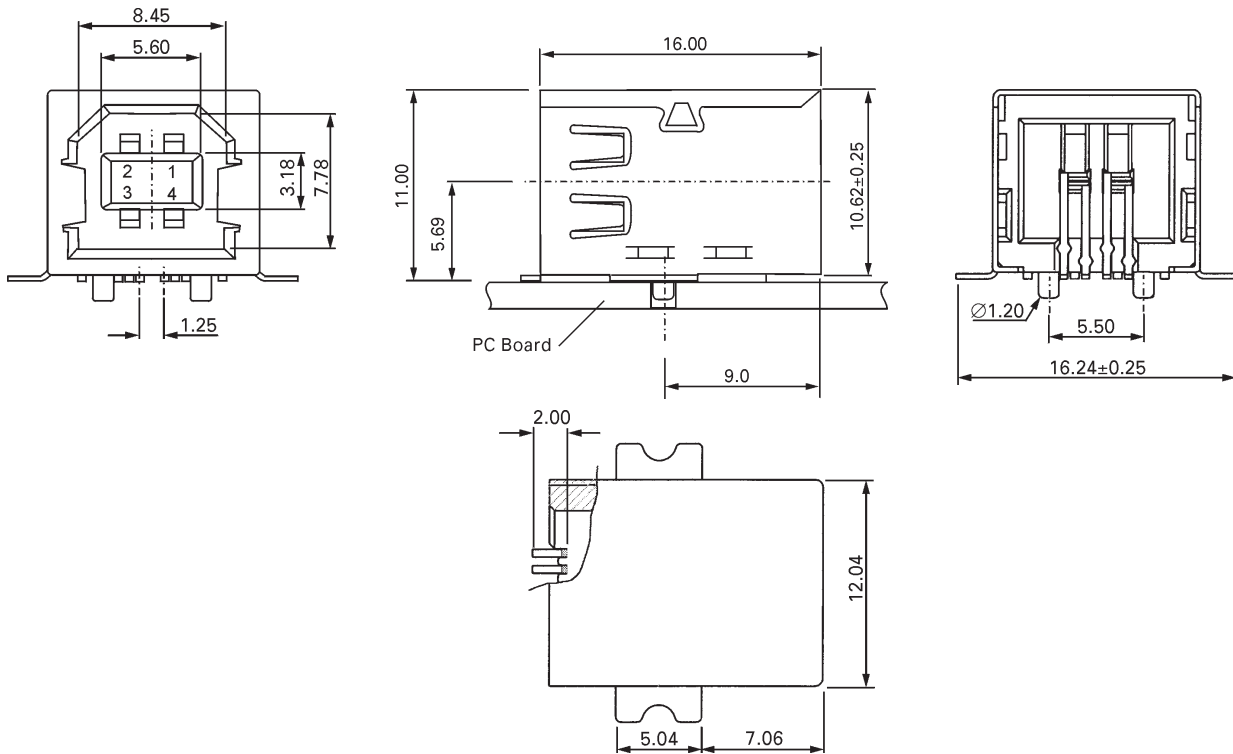
USB-B-003



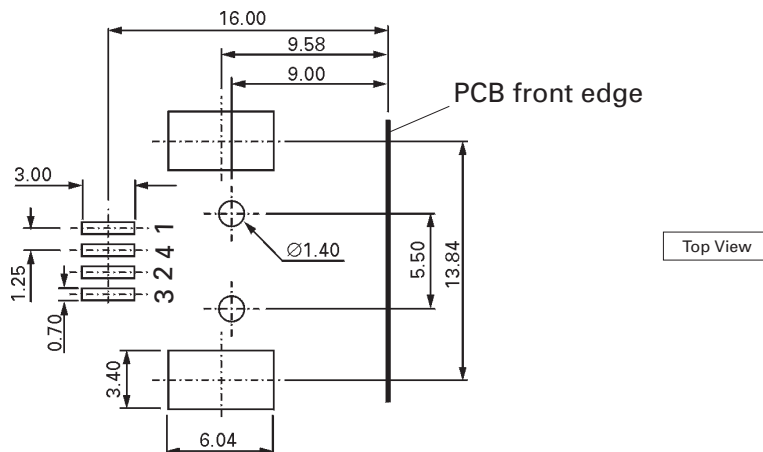
Materials and Finish

Housing:	Thermoplastic, glass filled (UL94V-0)
Shell:	Copper Alloy, bright Tin over Cu
Contacts:	Copper Alloy
Contact Plating:	Solder Area - SnCu over Ni Mating Area - 30 μ Au over Ni

90° SMT Type



Recommended PCB Layout



Series USB-B
Universal Serial Bus, Type B - 180° Receptacle (TH)

Specifications

Insulation Resistance:	1000MΩ min.
Current Rating:	1.5A max. per contact
Voltage Rating:	30V ACrms max.
Withstanding Voltage:	500V AC
Contact Resistance:	30mΩ max. (initial)
Operating Temperature Range:	-55°C to + 85°C

Part Number

USB-B-004

*USB-B-004-30

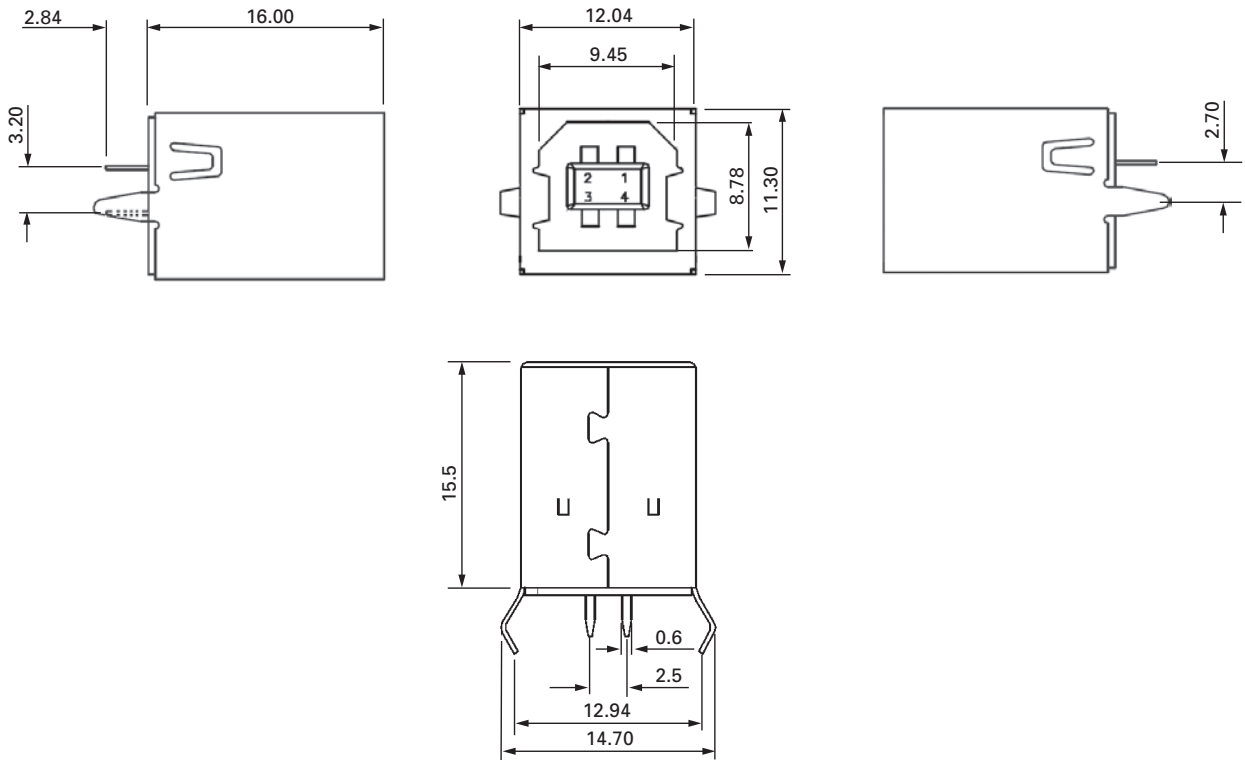
* see Materials and Finish

Materials and Finish

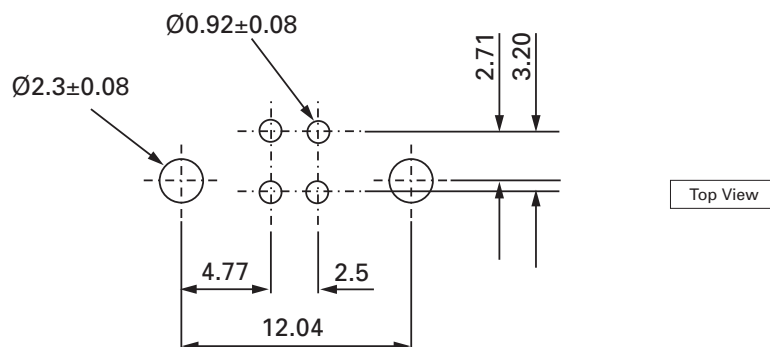
Housing:	PBT, glass filled (UL94V-0)
Shell:	Copper Alloy, Ni plating
Contacts:	Copper Alloy
Contact Plating:	Solder Terminal - Sn over Ni
Mating Area	- USB-B-004 = Au Flash over Ni
	- USB-B-004-30 = 30μ" Au over Ni



180° - TH Type



Recommended PCB Layout



USB (Universal Serial Bus and IEEE 1394)