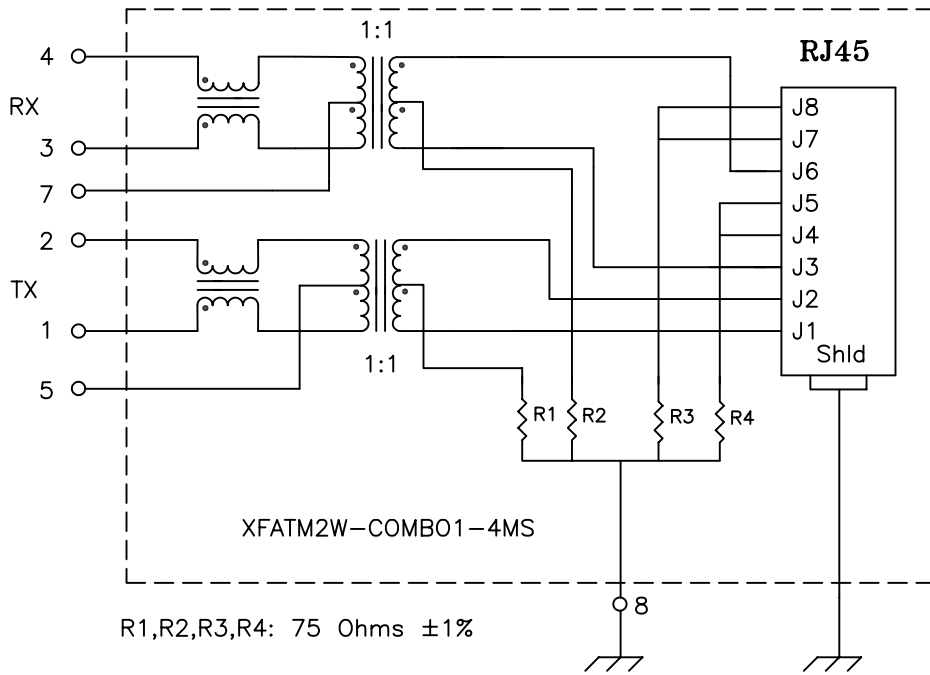


Schematic:



R1,R2,R3,R4: 75 Ohms ±1%

Electrical Specifications: @25°C

Isolation Voltage: 1500Vac

Isolation Voltage: 500Vac (1,2,5 to 3,4,7)

UTP SIDE OCL: 350uH Min @100KHz 0.1V, 8mA_{dc}

LL: P4-P3 0.3uH Max @100KHz 0.1V, Short J6 & J3

LL: P2-P1 0.3uH Max @100KHz 0.1V, Short J2 & J1

CW/W: (P7, P4, & P3) to (J6 & J3) 25pF Typ @100KHz

CW/W: (P5, P2, & P1) to (J2 & J1) 25pF Typ @100KHz

DCR: (J6-J3)=(J2-J1) 1.20 Ohms Max

Rise Time (10-90%): 2.5ns Typ

Insertion Loss: -1.2dB Max @100KHz-100MHz

Return Loss: -18dB Typ @1MHz-30MHz

Return Loss: -12dB Typ @60MHz-80MHz

Crosstalk: 40dB Typ @1MHz-100MHz

Common Mode to Differential Mode Rejection:

-35dB Typ (Tx) / -35dB Typ (Rx) @30MHz-100MHz

Notes:

1. Solderability: Leads shall meet MIL-STD-202G, Method 208H for solderability.
2. Flammability: UL94V-0
3. ASTM oxygen index: > 28%
4. Insulation System: Class F 155°C. UL file E151556
5. Operating Temperature Range: All listed parameters are to be within tolerance from -40°C to +85°C
6. Storage Temperature Range: -55°C to +125°C
7. Aqueous wash compatible
8. Electrical and mechanical specifications 100% tested
9. RoHS Compliant Component

XFMRs Inc
www.XFMRs.com

Title: SINGLE PORT COMBO

DOC REV: A/7

UNLESS OTHERWISE SPECIFIED

P/N: XFATM2W-COMBO1-4MS

REV. A

TOLERANCES:
.xxx ±0.010

DWN.

李小锋

Nov-10-05

Dimensions in Inch

CHK.

廖玉坤

Nov-10-05

SHEET 1 OF 2

APP.

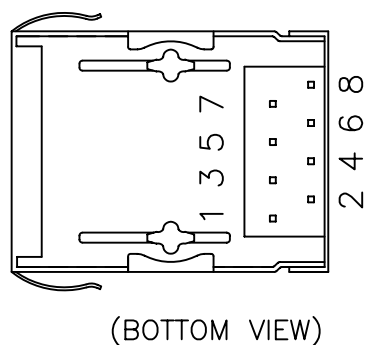
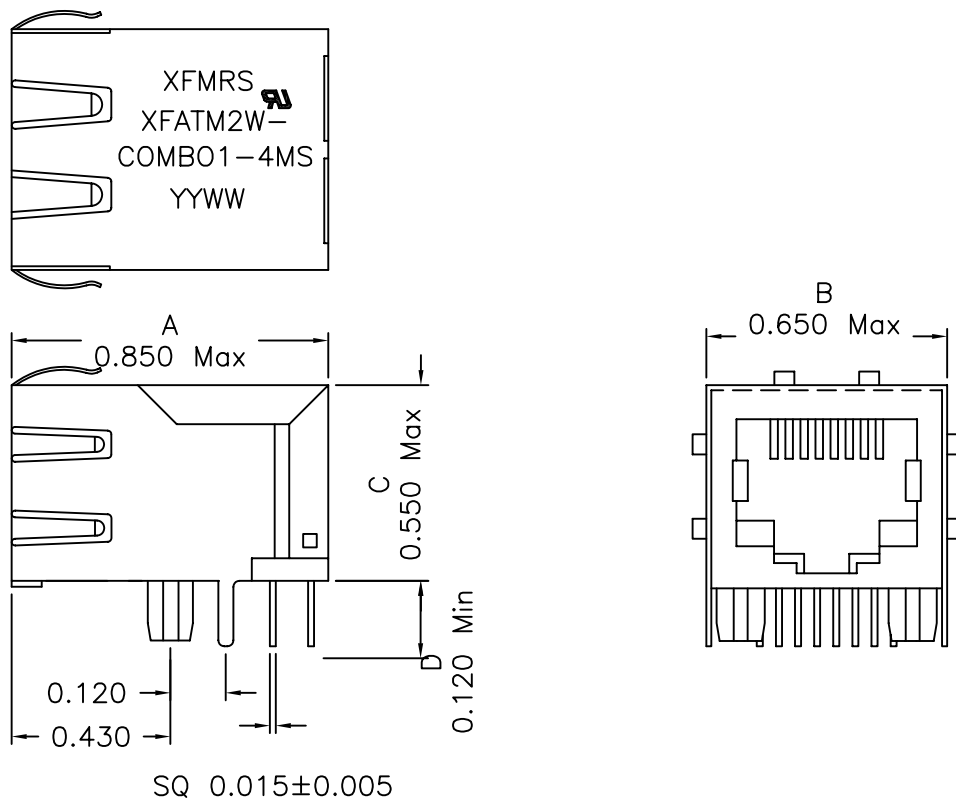
Isaiah M

Nov-10-05

PROPRIETARY:

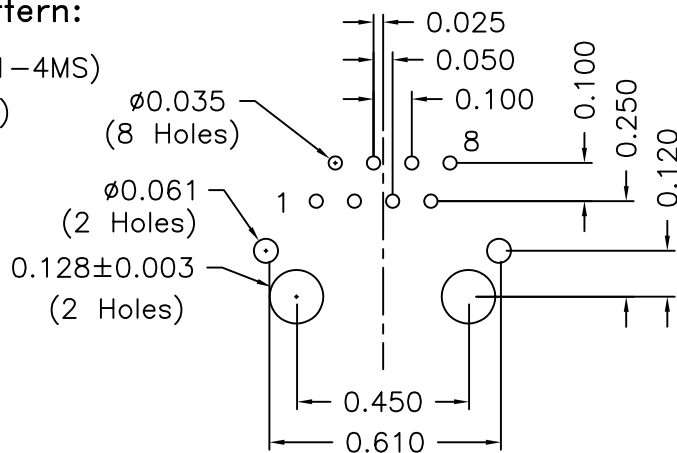
Document is the property of XFMRs Group & is not allowed to be duplicated without authorization.

Mechanical Dimensions:



Mounting Pattern:

(FOR COMBO1-4MS)
(COMP SIDE)



DOC REV: A/7

XFMR Inc
www.XFMRS.com

Title: Mechanical Dimensions
For COMBO1-4MS Series

UNLESS OTHERWISE SPECIFIED
TOLERANCES:
.xxx ±0.010
Dimensions in Inch

P/N: XFATM2W-COMBO1-4MS

REV. A

DWN.

李小锋

Nov-10-05

CHK.

廖玉坤

Nov-10-05

APP.

Isaiah M

Nov-10-05

PROPRIETARY:

Document is the property of XFMRS Group & is not allowed to be duplicated without authorization.

SHEET 2 OF 2