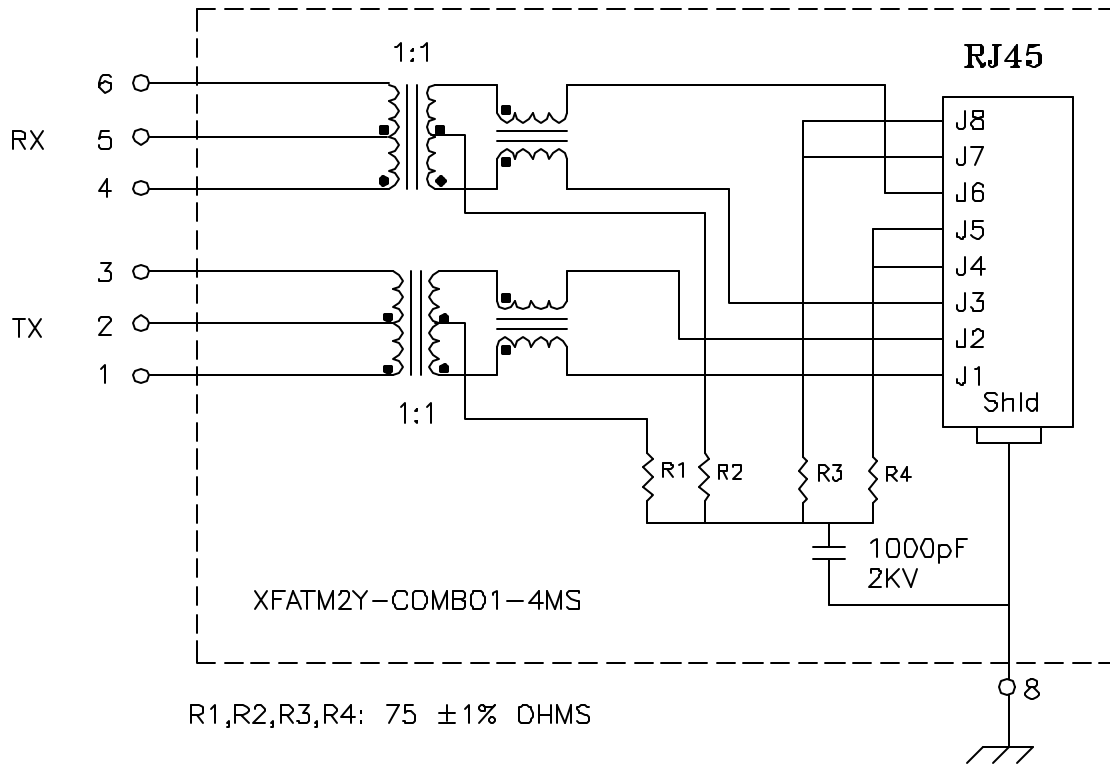


### Schematic:



### Electrical Specifications: @25°C

Isolation Voltage: 1500 Vac

Isolation Voltage: 500 Vac (1+2+3+4+5+6)

UTP SIDE OCL: 350uH Min @100KHz 100mV 8mADC

Leakage Inductance: P6-P4 0.3uH Max @1MHz 100mV Short J6 and J3

Leakage Inductance: P3-P1 0.3uH Max @1MHz 100mV Short J2 and J1

Cww: (P6, P5, & P4) to (J6 & J3) 30pF Max @1MHz

Cww: (P3, P2, & P1) to (J2 & J1) 30pF Max @1MHz

DCR: (J6-J3) = (J2-J1) 1.2 Ohms Max

Rise Time (10-90%): 2.5ns Typ

Insertion Loss (100KHz-100MHz): -1.2dB Max

Return Loss: -18dB Min @1MHz - 30MHz

Return Loss: -12dB Min @60MHz - 80MHz

Crosstalk: 30dB Typ @1MHz to 100MHz

Common Mode to Differential Mode Rejection:

1MHz-100MHz -35dB Typ (Tx) / -35dB Typ (Rx)

**XFMRs Inc.**

Title:

**SINGLE PORT COMBO**

UNLESS OTHERWISE SPECIFIED  
TOLERANCES:

.xxx ±0.010

Dimensions in Inch

SHEET 1 OF 2

P/N: XFATM2Y-COMBO1-4MS

REV. A

DWN.

廖玉坤

Mar-21-01

CHK.

李清儿

Mar-21-01

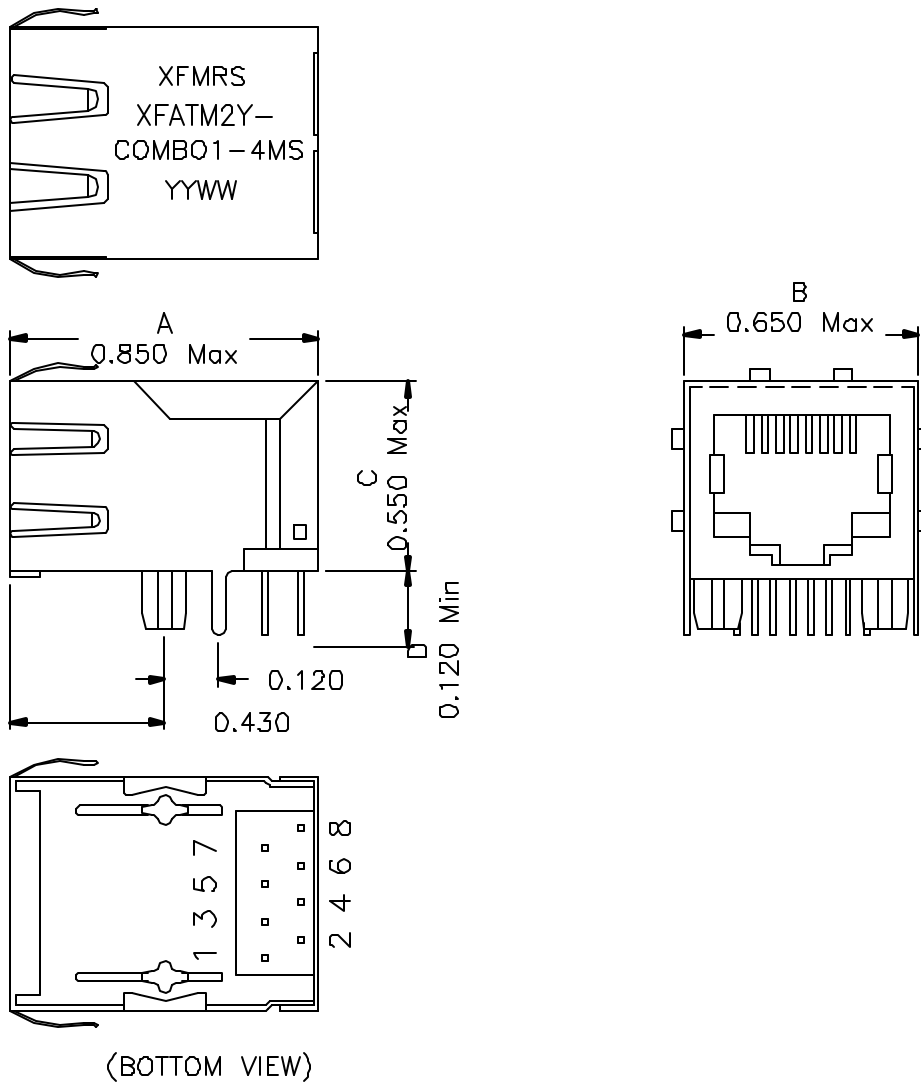
APP.

BW

Mar-21-01

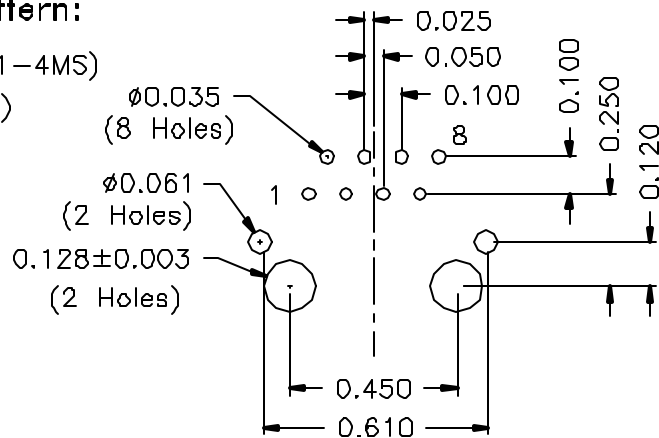
DOC. REV: A/1

# Mechanical Dimensions:



## Mounting Pattern:

(FOR COMBO1-4MS)  
(COMP SIDE)



DOC. REV: A/1

<b>XFMR5 Inc.</b>	Title: Mechanical Dimensions For COMBO1-4MS Series		
	UNLESS OTHERWISE SPECIFIED TOLERANCES: .xxx ±0.010 Dimensions in Inch	P/N: XFATM2Y-COMBO1-4MS	REV. A
SHEET 2 OF 2	DWN.	廖玉坤	Mar-21-01
	CHK.	李清儿	Mar-21-01
	APP.	BW	Mar-21-01