



# FTR-K3-WG SERIES

## ■ SPECIFICATION

Item	FTR-K3-WG		
Contact Data	Configuration		1 form A
	Material		Silver tin oxide (AgSnO <sub>2</sub> )
	Resistance (initial)		Max. 100mOhm at 1A, 6VDC
	Contact rating		25A / 250VAC (resistive)
	Max. carrying current		25A
	Max. switching power		6,250VA
	Max. switching voltage		250VAC
	Max. switching current		25A
	Min. switching load (reference)		100mA, 5VDC
Life	Mechanical		Min. 2 x 10 <sup>6</sup> operations
	Electrical	Resistive load	25A 250VAC, 100 x 10 <sup>3</sup> operations
		Inverter load	Inrush 200A / break 25A 100VAC: 30 x 10 <sup>3</sup> operations
		Motor load	Inrush 80A cosφ 0.7 / 20A cosφ 0.9 ; 250VAC 200 x 10 <sup>3</sup> operations
Coil Data	Rated power (at 20 °C)		Approximately 0.78W
	Operate power (at 20 °C)		Approximately 0.38W
	Holding/max. coil voltage (valid after 100msec. nom. coil energizing voltage)		40 to 120% of nominal coil voltage (contact carrying current: 25A at 60 °C) 40 to 80% of nominal coil voltage (contact carrying current: 25A at 85 °C) 35 to 120% of nominal coil voltage (contact carrying current: 25A at 20 °C)
	Operating temperature range (no frost)		-40 °C to +60 °C (at nominal coil voltage) -40 °C to +85 °C (at coil holding voltage 40 to 80% of nominal coil voltage application)
Timing Data	Operate (at nominal voltage)		Max. 20ms (no bounce)
	Release *		Max. 10ms (no diode, no bounce)
Insulation	Contact gap (initial)		Min. 1.5 mm
	Resistance		Min. 1,000MOhm at 500VDC
	Dielectric strength	Open contacts	2,500VAC, 1min.
		Coil and contacts	5,000VAC, 1min.
Surge strength	Coil to contacts	8,500V / 1.2 x 50μs standard wave	
Other	Vibration resistance	Misoperation	10 to 55Hz double amplitude 1.5 mm
		Endurance	10 to 55Hz double amplitude 1.5 mm
	Shock resistance	Misoperation	Min. 200m/s <sup>2</sup> (11 ± 1ms)
		Endurance	Min. 1,000m/s <sup>2</sup> (6 ± 1ms)
	Weight	Approximately 25 g	
Sealing	Flux proof cat II		

\* Use a varistor as a protective circuit against reverse surge in the relay coil. A varistor is connected parallel to the coil. The reverse blocking voltage should be about 3 times the value of the power surge voltage.

# FTR-K3-WG SERIES

## ■ COIL RATING

Coil Code	Rated Coil Voltage (VDC)	Coil Resistance +/- 10% (Ohm)	Must Operate Voltage (VDC) *	Must Release Voltage (VDC) *	Max. Operate Voltage (VDC)	Rated Power +/- 10% (W)
005	5	32	3.5	0.5	7.5	Approx. 0.78
006	6	46	4.2	0.6	9	
009	9	105	6.3	0.9	13.5	
012	12	185	8.4	1.2	18	
018	18	415	12.6	1.8	27	
024	24	740	16.8	2.4	36	
048	48	2,955	33.6	4.8	72	

Note: All values in the table are valid for 20°C and zero contact current.

\* Specified operate values are valid for pulse wave voltage.

## ■ SAFETY STANDARDS

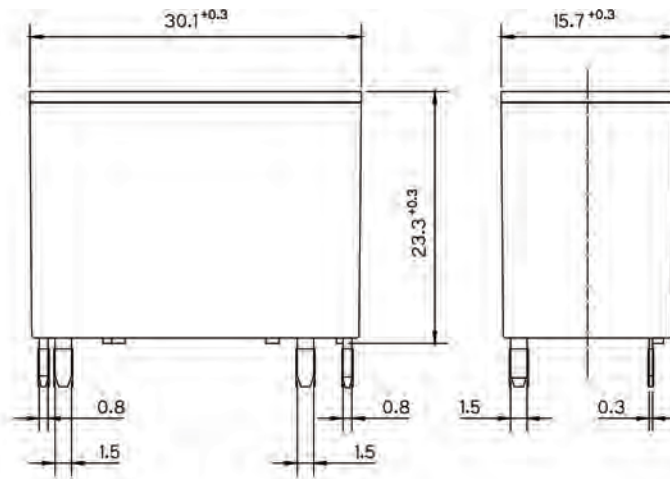
Type	Compliance	Contact rating
UL	UL 508 E63614	25A, 277VAC (resistive, at 60 °C) 1HP, 125VAC *1 (at 60 °C) 2HP, 277VAC *2 100x10 <sup>3</sup> (at 60 °C)
CSA	C22.2 No.14 LR40304	20A, 277VAC (resistive) 1HP, 125VAC *1 2HP, 277VAC *2 100x10 <sup>3</sup>
VDE	0435	25A, 250VAC (cosφ =1/at 60 °C) <i>pending</i>
CQC	GB15092.1, GB8898 04001009179	20A, 250VAC
SEMKO	EN61058-1 / EN61095	20A, 250VAC, 40T60 <i>pending</i> 20A, (13.33) 250VAC, 40T60 20/200A, 100VAC, 40T60

\*1 Over load 96A / 50 operations - 32A, cosφ = 0.4-0.5 / 6,000 operations

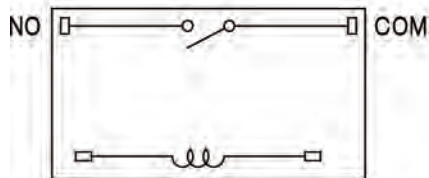
\*2 Over load 72A / 50 operations - 24A, cosφ = 0.4-0.5 / 100,000 operations

# FTR-K3-WG SERIES

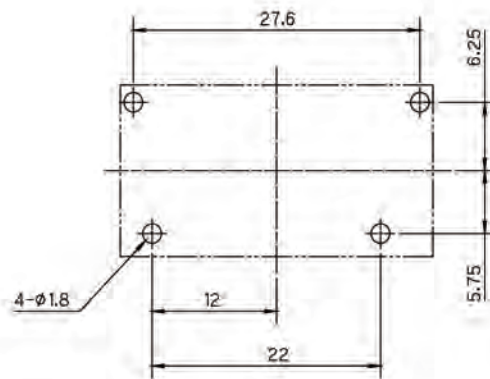
## ■ DIMENSIONS



### ● Schematics (BOTTOM VIEW)



### ● PC board pattern (BOTTOM VIEW)



Unit: mm

## RoHS Compliance and Lead Free Information

### 1. General Information

- All signal and power relays produced by Fujitsu Components are compliant with RoHS directive 2002/95/EC including amendments.
- Cadmium as used in electrical contacts is exempted from the RoHS directives on October 21st, 2005. (Amendment to Directive 2002/95/EC)
- All of our signal and power relays are lead-free. Please refer to Lead-Free Status Info for older date codes at: <http://www.fujitsu.com/us/downloads/MICRO/fcai/relays/lead-free-letter.pdf>
- Lead free solder plating on relay terminals is Sn-3.0Ag-0.5Cu, unless otherwise specified. This material has been verified to be compatible with PbSn assembly process.

### 2. Recommended Lead Free Solder Profile

- Recommended solder Sn-3.0Ag-0.5Cu.

**Flow Solder condition:**

Pre-heating: maximum 120°C  
Soldering: dip within 5 sec. at  
260°C solder bath

**Solder by Soldering Iron:**

Soldering Iron  
Temperature: maximum 360°C  
Duration: maximum 3 sec.

**We highly recommend that you confirm your actual solder conditions**

### 3. Moisture Sensitivity

- Moisture Sensitivity Level standard is not applicable to electromechanical relays, unless otherwise indicated.

### 4. Tin Whiskers

- Dipped SnAgCu solder is known as presenting a low risk to tin whisker development. No considerable length whisker was found by our in house test.

# FTR-K3-WG SERIES

## Fujitsu Components International Headquarter Offices

### Japan

Fujitsu Component Limited  
Gotanda-Chuo Building  
3-5, Higashigotanda 2-chome, Shinagawa-ku  
Tokyo 141, Japan  
Tel: (81-3) 5449-7010  
Fax: (81-3) 5449-2626  
Email: [promothq@ft.ed.fujitsu.com](mailto:promothq@ft.ed.fujitsu.com)  
Web: [www.fcl.fujitsu.com](http://www.fcl.fujitsu.com)

### North and South America

Fujitsu Components America, Inc.  
250 E. Caribbean Drive  
Sunnyvale, CA 94089 U.S.A.  
Tel: (1-408) 745-4900  
Fax: (1-408) 745-4970  
Email: [components@us.fujitsu.com](mailto:components@us.fujitsu.com)  
Web: <http://us.fujitsu.com/components>

### Europe

Fujitsu Components Europe B.V.  
Diamantlaan 25  
2132 WV Hoofddorp  
Netherlands  
Tel: (31-23) 5560910  
Fax: (31-23) 5560950  
Email: [info@fceu.fujitsu.com](mailto:info@fceu.fujitsu.com)  
Web: [emea.fujitsu.com/components/](http://emea.fujitsu.com/components/)

### Asia Pacific

Fujitsu Components Asia Ltd.  
102E Pasir Panjang Road  
#01-01 Citilink Warehouse Complex  
Singapore 118529  
Tel: (65) 6375-8560  
Fax: (65) 6273-3021  
Email: [fcal@fcal.fujitsu.com](mailto:fcal@fcal.fujitsu.com)  
Web: <http://www.fujitsu.com/sg/services/micro/components/>

©2010 Fujitsu Components Europe B.V. All rights reserved. All trademarks or registered trademarks are the property of their respective owners.

The contents, data and information in this datasheet are provided by Fujitsu Component Ltd. as a service only to its user and only for general information purposes.

The use of the contents, data and information provided in this datasheet is at the users' own risk.

Fujitsu has assembled this datasheet with care and will endeavor to keep the contents, data and information correct, accurate, comprehensive, complete and up to date.

Fujitsu Components Europe B.V. and affiliated companies do however not accept any responsibility or liability on their behalf, nor on behalf of its employees, for any loss or damage, direct, indirect or consequential, with respect to this datasheet, its contents, data, and information and related graphics and the correctness, reliability, accuracy, comprehensiveness, usefulness, availability and completeness thereof.

Nor do Fujitsu Components Europe B.V. and affiliated companies accept on their behalf, nor on behalf of its employees, any responsibility or liability for any representation or warrant of any kind, express or implied, including warranties of any kind for merchantability or fitness for particular use, with respect to these datasheets, its contents, data, information and related graphics and the correctness, reliability, accuracy, comprehensiveness, usefulness, availability and completeness thereof. Rev. December 07, 2010