

POC-S155

Slim Point-of-Care Terminal with 15" TFT LCD



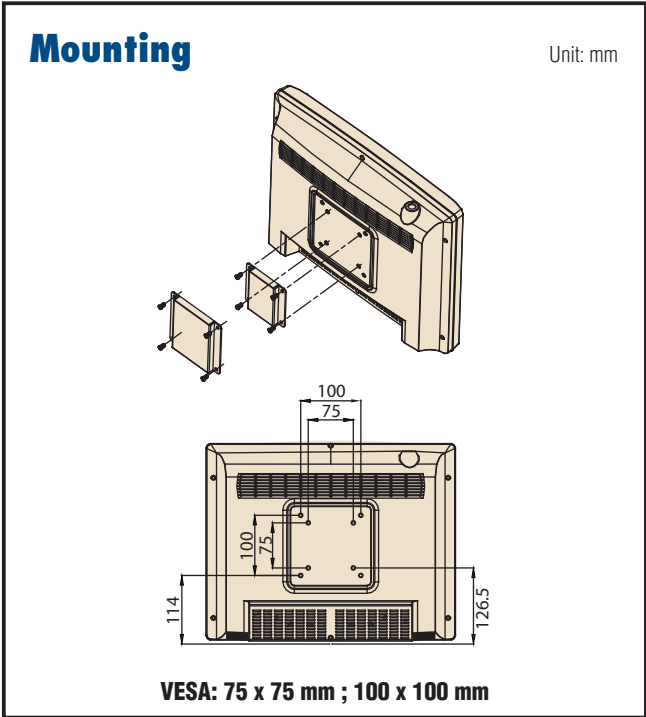
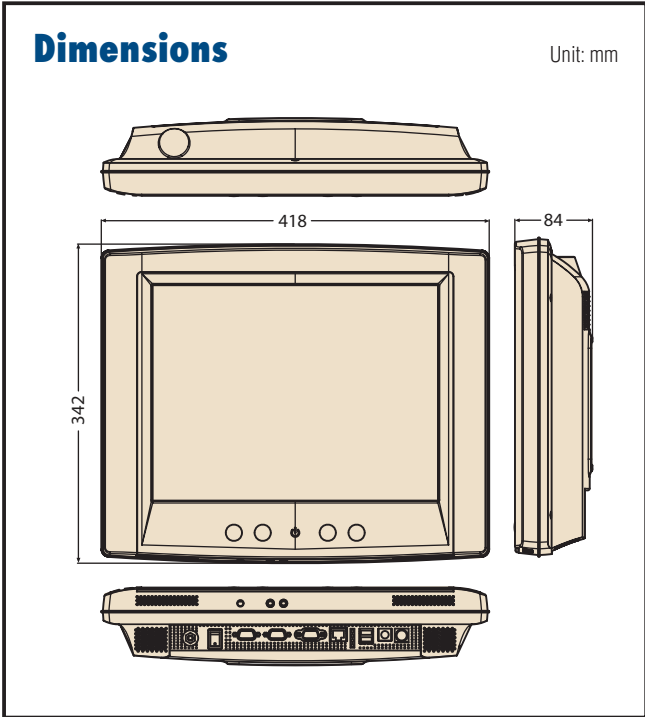
Features

- 15" LCD display
- Fanless design with low audible noise
- Isolated design provides unique electric leakage protection for COM ports and LAN ports
- IPX1 water resistant enclosure with additional IP65 dust-tight front panel
- UL60601-1/EN60601-1, CE & FCC Class B certified
- Optional 802.11b/g WLAN module, touchscreen, Li-ion battery pack

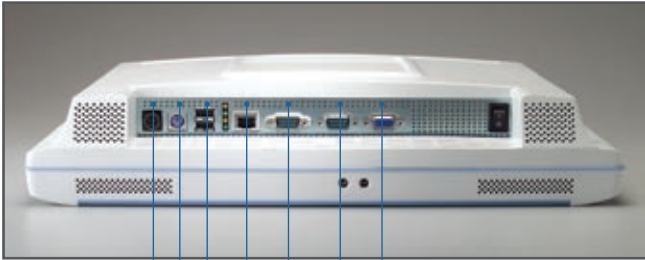


Specifications

Computing System	Chipset	855GME GMCH/ICH4 Chipset	
	CPU	Intel Pentium M processor ULV 1.4 GHz / Celeron M processor 1.0 GHz	
	Front Side Bus	400 MHz	
	Memory	2 x 184-pin DIMM sockets, supports up to 2 GB DDR200/266/333 SDRAM	
Graphics	Controller	Intel 855GME integrated	
	VRAM	Dynamically shared system memory up to 64 MB	
Expansion Slot	Mini PCI	1 x Mini PCI slot, supports type IIIA Mini PCI	
Storage	HDD	1 x 2.5" IDE	
	CompactFlash	1 x Type I/II x 1	
Ethernet	Interface	1 x 10/100 Mbps Ethernet interface (RJ-45)	
I/O Ports		1 x RS-232 and 1 x RS-232/422/485 (isolated) serial port; 2 x USB ports; 1 x PS/2 mouse and K/B; 1 x D-sub VGA port	
Speakers		2 x 1 W speakers; 1 x MIC-in and Speaker-out	
Display	Display type	15" TFT color LCD	
	Max. Resolution	1024 x 768	
	Max. Colors	262 K	
	Dot size (mm)	0.297 x 0.297	
	Viewing angle	140°/125°	
	Luminance	350 cd/m ²	
	Contrast ratio	700:1	
	LCD MTBF	50,000 hours	
	Backlight lifetime	50,000 hours at 6.5 mA	
Optional Touchscreen	Type	Analog Resistive	
	Light transmission	75%	
	Controller	RS-232 interface (use COM4)	
	Durability	30 million touches	
Power Supply		External universal AC/DC Adapter (SINPRO Model No. MPU50-108)	External universal AC/DC adapter Battery option (XPiQ Model no. PCM80PS24)
	Input voltage	100 ~ 240 V AC, 47 ~ 63 Hz, 1.35 A max.	100 ~ 240 V AC, 47 ~ 63 Hz, 1.1 ~ 0.45 A
	Output voltage	24 V DC, 2.08 A max. (50 watt)	24 V DC, 3.33 A max. (80 watt)
Environment	Temperature	0 ~ 40° C	
	Humidity	10 ~ 95% @ 40° C (non-condensing)	
	Shock Resistance	20 G peak acceleration (11ms duration)	
	Water/dust Resistance	IPX1 for whole system	
Physical Characteristics	Dimensions (W x H x D)	418 x 342 x 84 mm (16.46" x 13.46" x 3.4")	
	Weight (with battery)	6 Kg (13.23 lb)	



I/O Drawing



1 2 3 4 5 6 7

- 1. 4-pin mini-DIN DC connector
- 2. PS/2 Mouse/Keyboard Port
- 3. USB 2.0 Ports x 2
- 4. 10/100 Mbps Ethernet interface (RJ-45)
- 5. Isolated RS-232/422/485 COM port (COM1)
- 6. RS-232 COM port (COM2)
- 7. D-sub VGA port

Ordering Information

Part Number	Touch Panel	CPU	HDD 24 x 7	RAM
POC-S155-P1-CTE	Res.TS	1.4GHz	80 G IDE	1 G
POC-S155-P2-CTE	Res.TS	1.0GHz	80 G IDE	1 G

Packing List

Description	Quantity
PS/2 keyboard & mouse splitter cable	1
Startup manual	1
M4 x 20 screw set for VESA mounting	4
AC 50W SPS MPU50-108 W/PFC 100-240V	1
CD-ROM for POC-S155 Driver & Utility V1.0	1
Advantech 2-year warranty card	1

Accessories

Part Number	Description
*	Li-ion battery pack
1702002600	Power Cable (USA) 1.83M
1702002605	Power Cable (Europe) 1.8M
*	802.11b/g wireless LAN mini-PCI module & external antenna

* This accessory goes with the T Part Number. Please contact Advantech sales for more details.