

**PLEASE CHECK WWW.MOLEX.COM FOR LATEST PART INFORMATION**

**Part Number:** [0010051043](#)  
**Status:** **Active**  
**Overview:** [kk](#)  
**Description:** 5.08mm (.200") Pitch PC Board Connector, Right Angle Mount, 4 Circuits

**Documents:**

[3D Model](#) [Product Specification PS-2767-013 \(PDF\)](#)  
[Drawing \(PDF\)](#) [RoHS Certificate of Compliance \(PDF\)](#)  
[Product Specification PS-2767-012 \(PDF\)](#)

**Agency Certification**

CSA LR19980  
 UL E29179

**General**

Product Family PCB Receptacles  
 Series [2767](#)  
 Application Board-to-Board  
 Overview [kk](#)  
 Product Name KK®

**Physical**

Circuits (Loaded) 4  
 Flammability 94V-2  
 Glow-Wire Compliant No  
 Material - Metal Brass  
 Material - Plating Mating Tin-Lead  
 Number of Rows 1  
 Orientation Right Angle  
 PC Tail Length (in) 0.157 In  
 PC Tail Length (mm) 4.00 mm  
 PCB Locator No  
 PCB Retention Yes  
 PCB Thickness Recommended (in) 0.062 In  
 PCB Thickness Recommended (mm) 1.60 mm  
 Packaging Type Bag  
 Pitch - Mating Interface (in) 0.200 In  
 Pitch - Mating Interface (mm) 5.08 mm  
 Polarized to PCB No  
 Temperature Range - Operating -40°C to +105°C  
 Termination Interface: Style Through Hole

**Electrical**

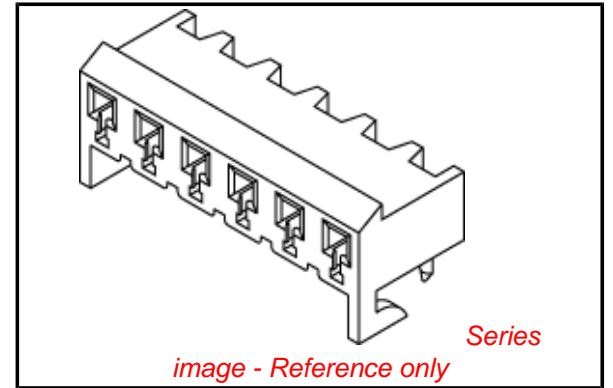
Current - Maximum per Contact 7A  
 Voltage - Maximum 250V

**Material Info**

Old Part Number 2767-4AH

**Reference - Drawing Numbers**

Product Specification PS-2767-012, PS-2767-013  
 Sales Drawing SD-2767-NAH



**EU RoHS**

**ELV and RoHS  
 Compliant**  
**REACH SVHC  
 Contains SVHC: No**  
**Halogen-Free  
 Status  
 Not Reviewed**

**China RoHS**



**Need more information on product  
 environmental compliance?**

Email [productcompliance@molex.com](mailto:productcompliance@molex.com)  
 For a multiple part number RoHS Certificate of  
 Compliance, [click here](#)

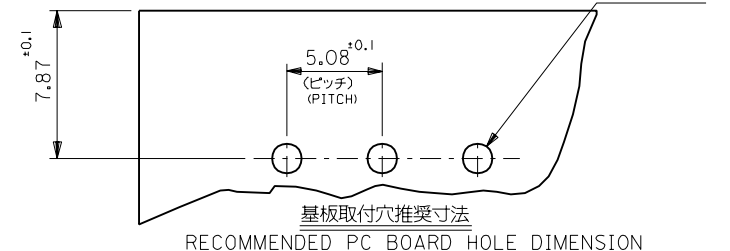
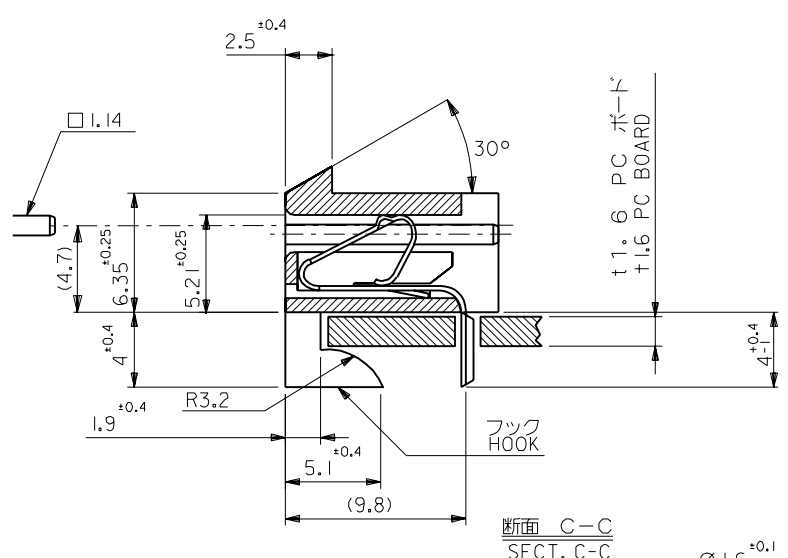
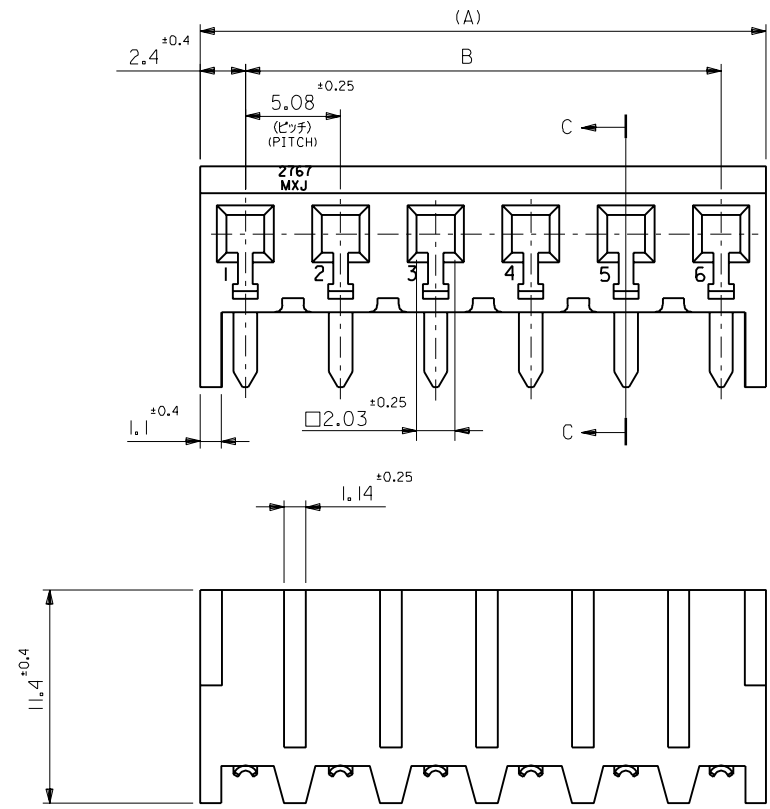
Please visit the [Contact Us](#) section for any  
 non-product compliance questions.

**Search Parts in this Series**

[2767Series](#)

**Mates With**

[5279na](#)



注：( ) 内寸法は参考値  
NOTE: ( ) DIMENSION IS FOR REFERENCE

25.4 <sup>+0.2</sup>	30.2	10-05-1063	2767-6AH	6
20.32 <sup>+0.2</sup>	25.12	10-05-1053	2767-5AH	5
15.24 <sup>+0.15</sup>	20.04	10-05-1043	2767-4AH	4
10.16 <sup>+0.15</sup>	14.96	10-05-1033	2767-3AH	3
5.08 <sup>+0.15</sup>	9.88	10-05-1023	2767-2AH	2
B	(A)	EDP.NO.	ENG.NO.	NO. OF CKTS

角度 ANGLE	±3°
30 以上 OVER	+0.3
10 以上 OVER 30 未満 UNDER	+0.25
10 未満 UNDER	+0.2
一般公差 GENERAL TOLERANCES	
記号 LTR	変更内容 REVISION RECORD
DR. DATE	DR. DATE

材料 ターミナル：黄銅 銅下付錫メッキ  
MATERIAL TERMINAL: BRASS, TIN OVER COPPER PLATING  
ハウジング：ナイロン66, 94V-2  
HOUSING: NYLON66, 94V-2  
仕上げ FINISH —  
適用電線範囲 WIRE RANGE —  
被覆外径 INS. RANGE —  
DRAWN BY '96/05/23 CHK'D BY '96/05/23  
H.IIJIMA M.FUKUSHIMA  
APP'D BY '96/05/23 尺度 SCALE 4 : 1  
M.ENOMOTO

**molex** MOLEX-JAPAN CO.,LTD.  
日本モレックス株式会社

REVISE ONLY ON CAD SYSTEM

TITLE 名称  
KK 5.08 RECEPTACLE HSG.ASS'Y

DWG. NO. SD-2767-NAH REV C