

PLEASE CHECK WWW.MOLEX.COM FOR LATEST PART INFORMATION

Part Number: [0010051063](#)
Status: **Active**
Overview: [kk](#)
Description: 5.08mm (.200") Pitch PC Board Connector, Right Angle Mount, 6 Circuits

Documents:

[3D Model](#) [Product Specification PS-2767-013 \(PDF\)](#)
[Drawing \(PDF\)](#) [RoHS Certificate of Compliance \(PDF\)](#)
[Product Specification PS-2767-012 \(PDF\)](#)

Agency Certification

CSA LR19980
 UL E29179

General

Product Family PCB Receptacles
 Series [2767](#)
 Application Board-to-Board
 Overview [kk](#)
 Product Name KK®

Physical

Circuits (Loaded) 6
 Color - Resin Natural
 Flammability 94V-2
 Glow-Wire Compliant No
 Material - Metal Brass
 Material - Plating Mating Tin-Lead
 Material - Plating Termination Tin
 Material - Resin Nylon
 Number of Rows 1
 Orientation Right Angle
 PC Tail Length (in) 0.157 In
 PC Tail Length (mm) 4.00 mm
 PCB Locator No
 PCB Retention Yes
 PCB Thickness Recommended (in) 0.062 In
 PCB Thickness Recommended (mm) 1.60 mm
 Packaging Type Bag
 Pitch - Mating Interface (in) 0.200 In
 Pitch - Mating Interface (mm) 5.08 mm
 Plating min: Mating (µin) 35
 Plating min: Mating (µm) 0.88
 Plating min: Termination (µin) 35
 Plating min: Termination (µm) 0.88
 Polarized to PCB No
 Temperature Range - Operating -40°C to +105°C
 Termination Interface: Style Through Hole

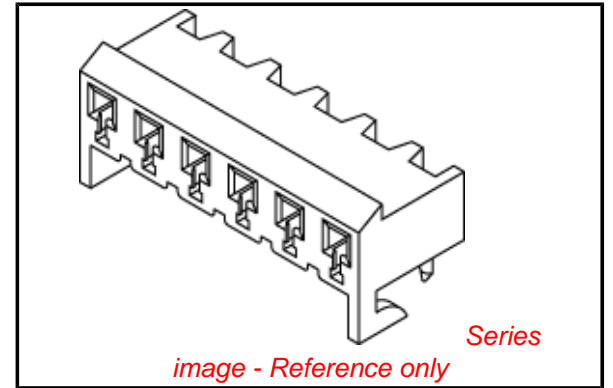
Electrical

Current - Maximum per Contact 7A
 Voltage - Maximum 250V

Material Info

Old Part Number 2767-6AH

Reference - Drawing Numbers



EU RoHS

**ELV and RoHS
 Compliant**
**REACH SVHC
 Contains SVHC: No**
**Halogen-Free
 Status
 Not Reviewed**

China RoHS



**Need more information on product
 environmental compliance?**

Email productcompliance@molex.com
 For a multiple part number RoHS Certificate of
 Compliance, [click here](#)

Please visit the [Contact Us](#) section for any
 non-product compliance questions.

Search Parts in this Series

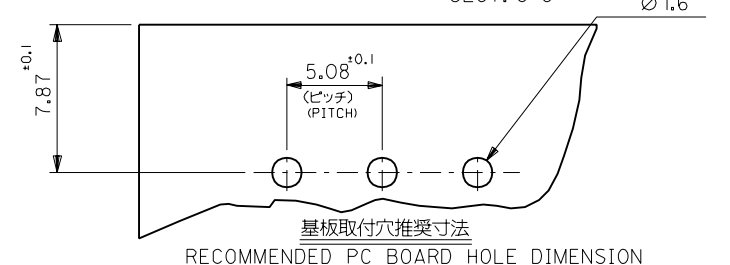
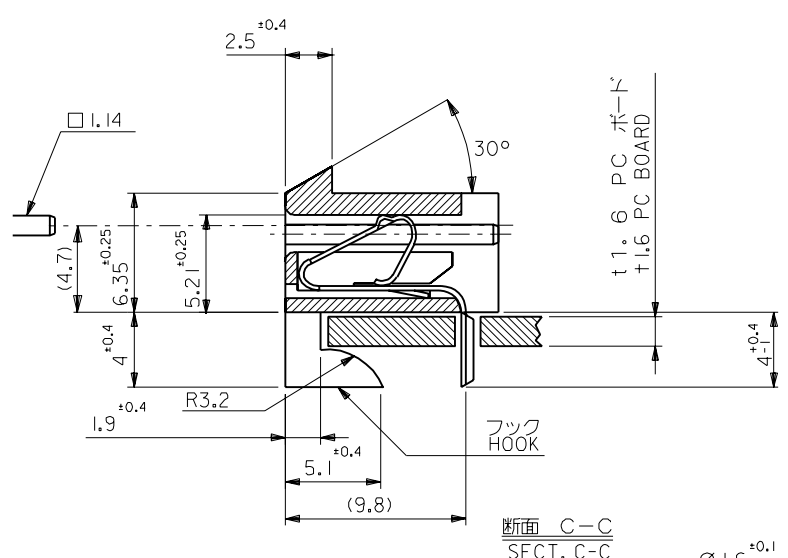
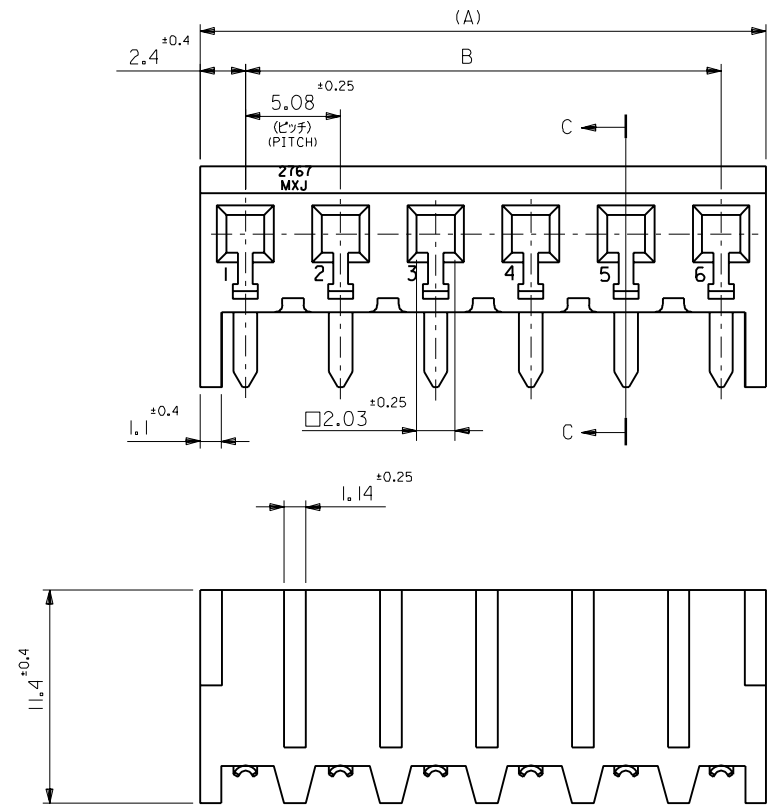
[2767Series](#)

Mates With

[5279na](#)

This document was generated on 06/07/2010

PLEASE CHECK WWW.MOLEX.COM FOR LATEST PART INFORMATION



注：() 内寸法は参考値
NOTE: () DIMENSION IS FOR REFERENCE

25.4 ^{+0.2}	30.2	10-05-1063	2767-6AH	6
20.32 ^{+0.2}	25.12	10-05-1053	2767-5AH	5
15.24 ^{+0.15}	20.04	10-05-1043	2767-4AH	4
10.16 ^{+0.15}	14.96	10-05-1033	2767-3AH	3
5.08 ^{+0.15}	9.88	10-05-1023	2767-2AH	2
B	(A)	EDP.NO.	ENG.NO.	NO. OF CKTS

角度 ANGLE	±3°
30 以上 OVER	+0.3
10 以上 30 未満 UNDER	+0.25
10 未満 UNDER	+0.2
一般公差 GENERAL TOLERANCES	
記号 LTR	変更内容 REVISION RECORD
DR. DATE	DR. DATE

材料 ターミナル：黄銅 銅下付錫メッキ
MATERIAL TERMINAL: BRASS, TIN OVER COPPER PLATING
ハウジング：ナイロン66, 94V-2
HOUSING: NYLON66, 94V-2
仕上げ FINISH —
適用電線範囲 WIRE RANGE —
被覆外径 INS. RANGE —
DRAWN BY '96/05/23 CHK'D BY '96/05/23
H.IIJIMA M.FUKUSHIMA
APP'D BY '96/05/23 尺度 SCALE 4 : 1
M.ENOMOTO

molex MOLEX-JAPAN CO.,LTD.
日本モレックス株式会社

REVISE ONLY ON CAD SYSTEM

TITLE 名称
KK 5.08 RECEPTACLE HSG.ASS'Y

DWG. NO. SD-2767-NAH REV C