

Customer Information Sheet

DRAWING No.: M80-5L1XXXXMC-00-000-00-000 SHT 2 OF 2

IF IN DOUBT - ASK

©

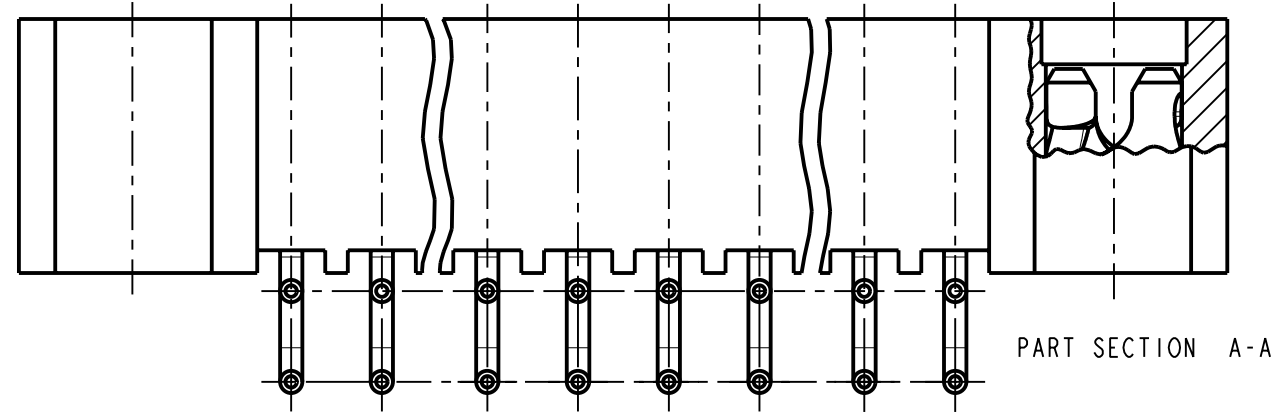
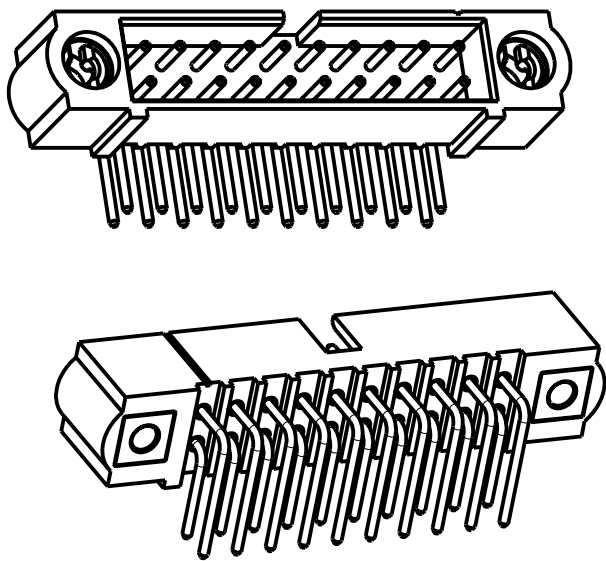
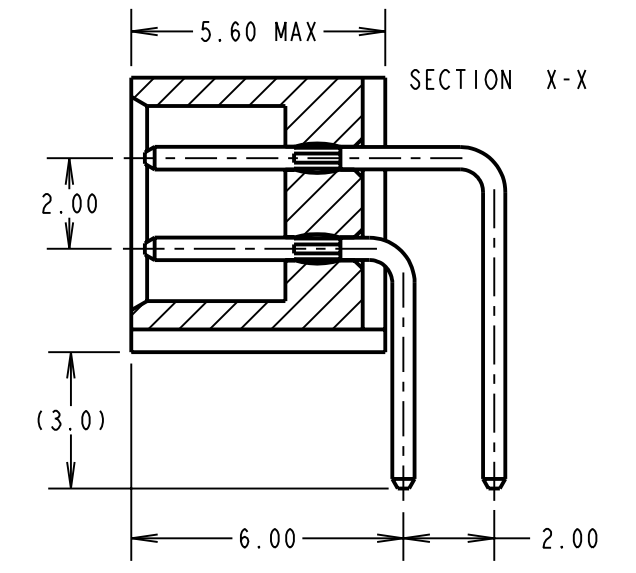
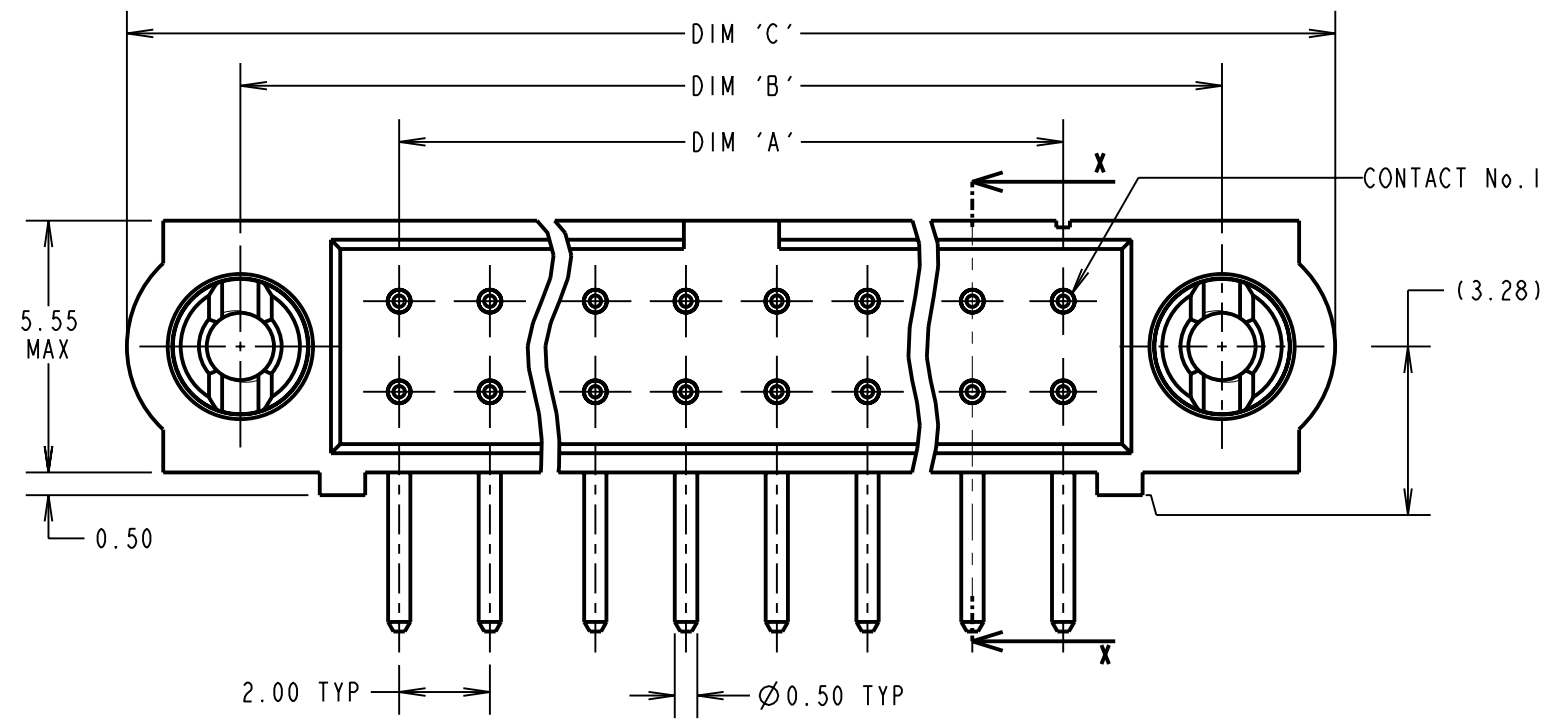
NOT TO SCALE

THIRD ANGLE PROJECTION

ALL DIMENSIONS IN mm

SPECIFICATIONS:
MATERIAL:
 MOULDING = GLASS-FILLED PPS,
 UL94V-0, BLACK
 CONTACT = PHOSPHOR BRONZE
 IOILOK RETAINER = STAINLESS STEEL
FINISH (CONTACTS):
 05 = 0.75µ GOLD ALL OVER
 22 = 0.75µ GOLD ON CONTACT AREA,
 3µ TIN/LEAD ON TAILS
 42 = 0.75µ GOLD ON CONTACT AREA,
 3µ 100% TIN ON TAILS
ELECTRICAL:
 CURRENT RATING AT 25°C = 3.0A MAX
 CURRENT RATING AT 85°C = 2.2A MAX
 WORKING VOLTAGE = 120V AC/DC
 VOLTAGE PROOF = 360V AC/DC
 CONTACT RESISTANCE = 25 mΩ MAX
 INSULATION RESISTANCE = 100 MΩ MIN
MECHANICAL:
 DURABILITY = 500 OPERATIONS
ENVIRONMENTAL:
 TEMPERATURE RANGE = -55°C TO +125°C
PACKING:
 TUBE
 FOR COMPLETE SPECIFICATION, SEE COMPONENT
 SPECIFICATION C005XX (LATEST ISSUE)

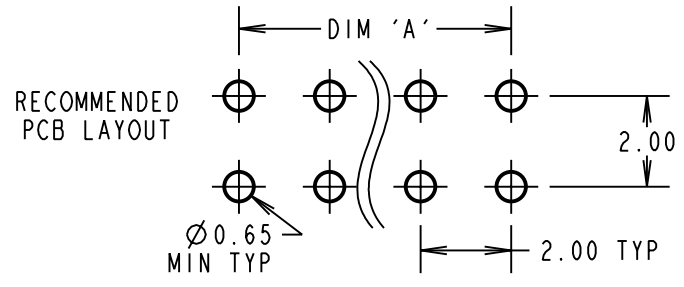
NOTES:
 1. ALL PART LABELLING TO BE AS ORDER CODE,
 EITHER WITH TRAILING ZEROS OR LEFT BLANK
 AS PER ORDER CODE EXAMPLES 1 AND 2.



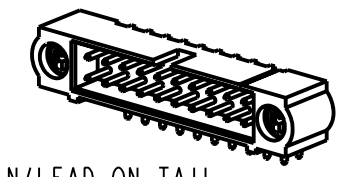
DIMENSION	CALCULATION
DIM 'A'	TOTAL No. OF CONTACTS - 2
DIM 'B'	TOTAL No. OF CONTACTS + 5
DIM 'C'	TOTAL No. OF CONTACTS + 10

EXAMPLE ORDER CODE 1: CONNECTOR WITH 20 CONTACTS,
 GOLD ON CONTACT AREA AND 100% TIN ON TAIL
M80-5L12042MC-00-000-00-000
 DIM 'A' = 18.00mm, DIM 'B' = 25.00mm, DIM 'C' = 30mm.

EXAMPLE ORDER CODE 2: CONNECTOR WITH 20 CONTACTS,
 GOLD ON CONTACT AREA AND 100% TIN ON TAIL
M80-5L12042MC
 DIM 'A' = 18.00mm, DIM 'B' = 25.00mm, DIM 'C' = 30mm.



ORDER CODE:
M80-5L1XXXXMC-00-000-00-000
 TOTAL No. OF CONTACTS
 04 TO 50
 (EVEN NUMBERS ONLY)
 FINISH
 05 - ALL OVER GOLD
 22 - GOLD ON CONTACT AREA / TIN/LEAD ON TAIL
 42 - GOLD ON CONTACT AREA / 100% TIN ON TAIL



SM	E	11.06.10	10830
NAME	ISS.	DATE	C/NOTE
APPROVED: S. MCCULLAGH			
CHECKED: R. ADDE			
DRAWN: S. FLOWER			
CUSTOMER REF.:			
ASSEMBLY DRG:			

HARWIN

HARWIN USA TEL: 603 893 5376 FAX: 603 893 5396 mis@harwin.com	HARWIN Europe (UK) TEL: 023 9231 4545 FAX: 023 9231 4590 mis@harwin.co.uk	HARWIN Asia TEL: +65 6 779 4909 FAX: +65 6 779 3868 mis@harwin.com.sg
--	--	--

THIS DRAWING AND ANY
 INFORMATION OR DESCRIPTIVE
 MATTER SET OUT HEREON ARE
 CONFIDENTIAL AND COPYRIGHT
 PROPERTY OF THE HARWIN
 GROUP AND MUST NOT BE
 DISCLOSED, LOANED, COPIED
 OR USED FOR MANUFACTURING,
 TENDERING OR FOR ANY
 OTHER PURPOSE WITHOUT
 THEIR WRITTEN PERMISSION.

TOLERANCES
 X. = ±1mm
 X.X = ±0.25mm
 X.XX = ±0.10mm
 X.XXX = ±0.01mm
ANGLES = ±5°
 UNLESS STATED

MATERIAL:
 SEE ABOVE
FINISH:
 SEE ABOVE
S/AREA:
 mm²

TITLE: DATAMATE J-TEK DIL HORIZ
 3mm PC-TAIL MALE ASSY WITH
 IOILOK RETAINERS
DRAWING NUMBER: **M80-5L1XXXXMC,**
M80-5L1XXXXMC-00-000-00-000 SHT
 2 OF 2